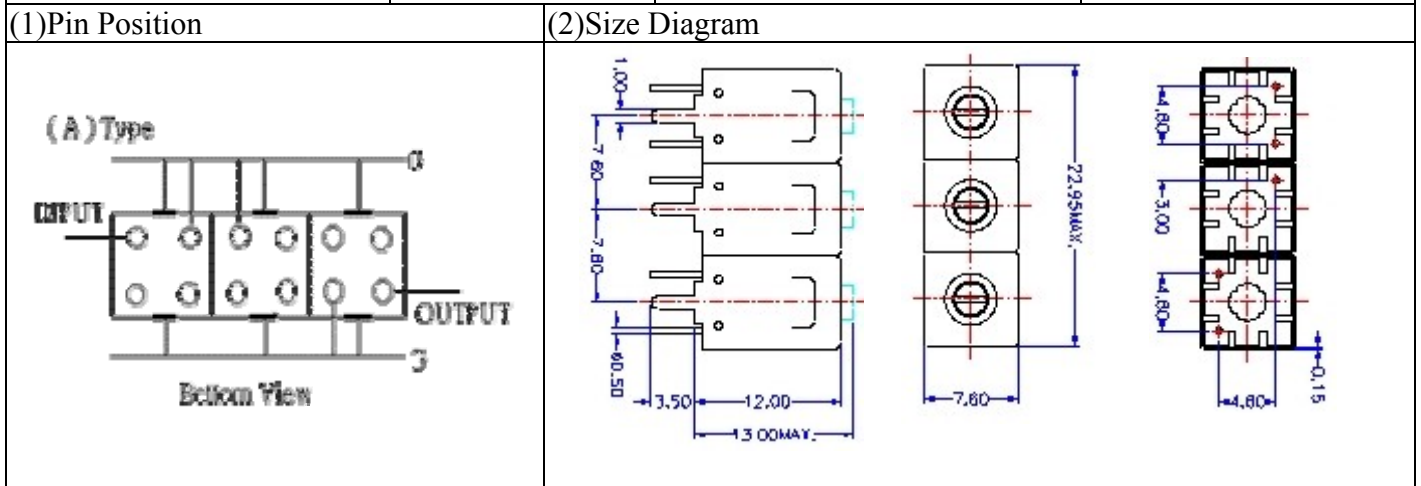


# VHF UHF Helical Filter Specification Sheet

Customer Name		Temwell's Part No.	TT6866A-680M
Approval No. /dated	20506045B	Acceptable Specify Fo. Range	661~700MHz
Work Instruction No.	20506045B	Date	Jul.01.2005



### (3) Electric Characteristic

Item	Specify	Performance	
Center Freq.(Fo) +/- 0.5 %	680 MHz	680 MHz	
Tunable Range	680±5 MHz	680±5 MHz	
Insertion Loss	Typ. 7.0 dB	6.03 dB	
-3 dB Bandwidth	Typ. 3 MHz	7.4 MHz	
Sensitivity (Attenuation)	Fo - 30 MHz	Typ. 45 dBc	49 dBc
	Fo + 30 MHz	Typ. 35 dBc	39 dBc
	Fo - ( )MHz	Typ. dBc	dBc
	Fo + ( )MHz	Typ. dBc	dBc
Return Loss	Min. 12 dB	34.3 dB	
Ripple	< 1 dB	dB	
Impedance	In / Out : 50 Ω	In / Out : 50 Ω	

(4) Torque for Tuning Screw > 100gf · cm

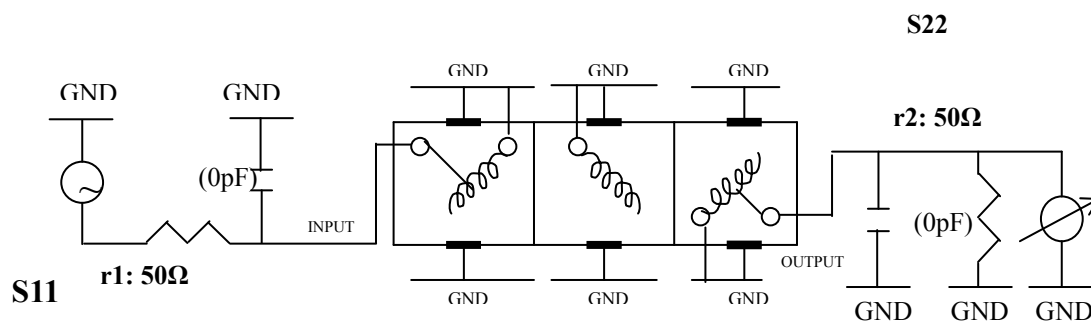
(5) Temperature Condition:

Operating Temperature -0°C ~ +60°C

Storage Temperature -20°C ~ +70°C

(6) Input Power > 1 Watt

(7) Measuring Circuit: ※ Easy to match Impedance S11/S22 50Ω/ by parallel with about (0~1 pF) / (0~1 pF).



Approval	Supervisor	Designer	Aperture size
C.Y.Chang	C.S.Chang	P.H.Chiang	7H3(4*4.65)(4.67) 7H046LB4 聚 3

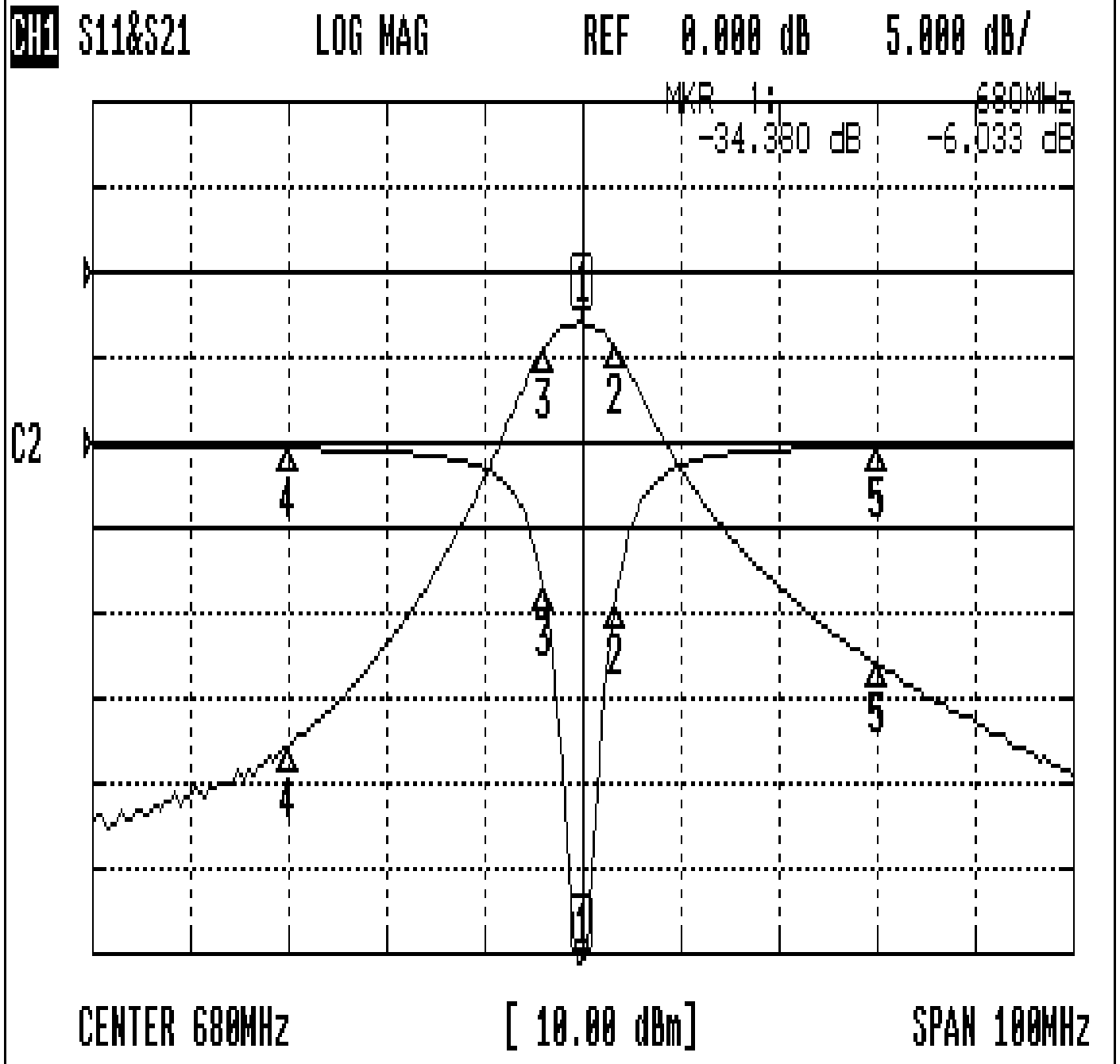
TEMWELL CORPORATION

TEMWELL

Form10-7H3A Vision D

# Performance-TT6866A-680M

## 20506045B



### CH1 MARKER LIST

1:	680.000MHz	-34.380 dB	-6.033 dB
2:	683.450MHz	-9.085 dB	-9.047 dB
3:	676.000MHz	-8.491 dB	-9.085 dB
4:	650.000MHz	-0.346 dB	-55.454 dB
5:	710.000MHz	-0.274 dB	-45.997 dB