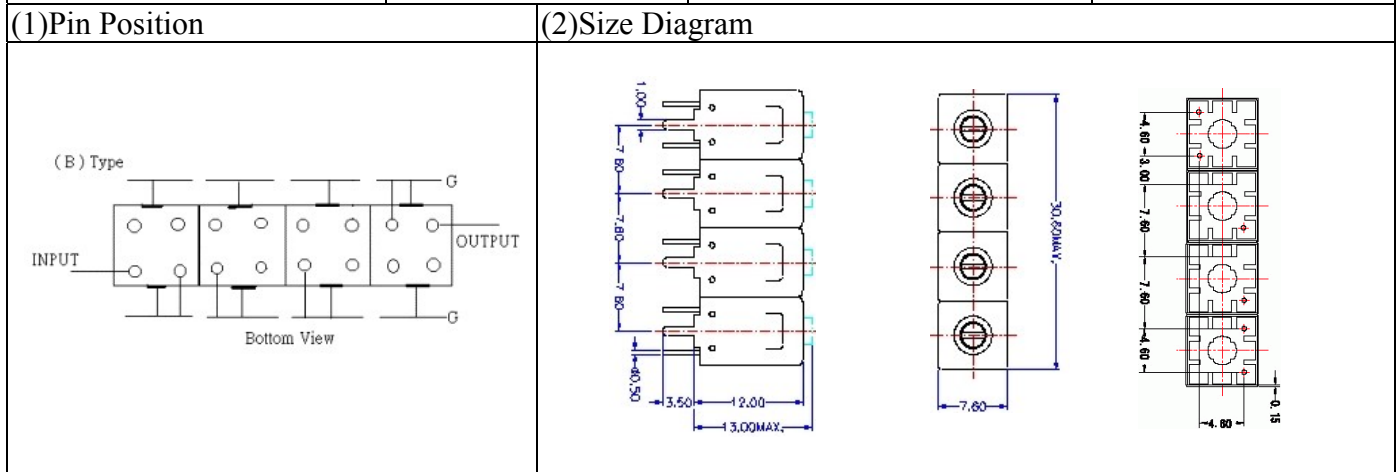
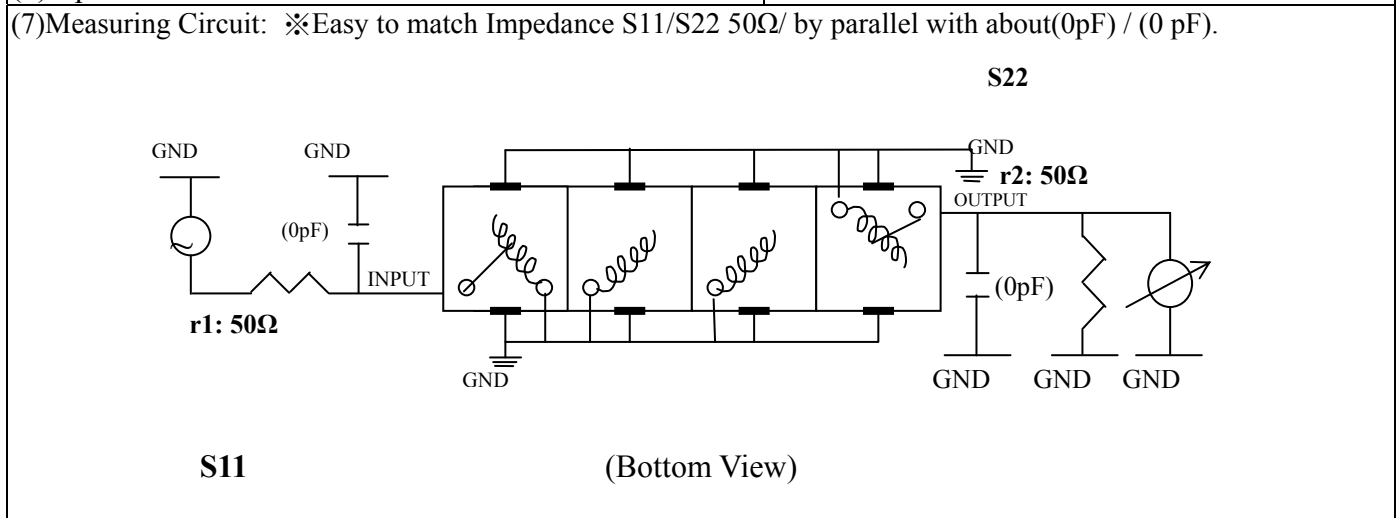


VHF UHF Helical Filter Specification Sheet

Customer Name		Temwell's Part No.	TF69178B-100M
Approval No. /dated	0901075CD	Temwell's Print Name	69178B 100M
Work Instruction No.	200901075CD	Date	Feb.12.2009



(3) Electric Characteristic			
Item		Specify	Performance
Center Freq.(Fo) +/- 0.5 %		100 MHz	100 MHz
Insertion Loss		Typ. 3.0 dB	1.79 dB
-3 dB Bandwidth		Typ. 15 MHz	16.1 MHz
Sensitivity (Attenuation)	Fo - 20 MHz	Typ. 38 dBc	41 dBc
	Fo + 20 MHz	Typ. 30 dBc	33 dBc
	Fo - ()MHz	Typ. dBc	dBc
	Fo +()MHz	Typ. dBc	dBc
Return Loss		Min. 12 dB	20.3 dB
Ripple		< 1 dB	dB
Impedance		In / Out : 50 Ω	In / Out : 50 Ω
(4) Torque for Tuning Screw		> 100gf • cm	
(5) Temperature Condition:			
Operating Temperature		0°C ~ +60°C	
Storage Temperature		-20°C ~ +70°C	
(6) Input Power		> 1Watt	



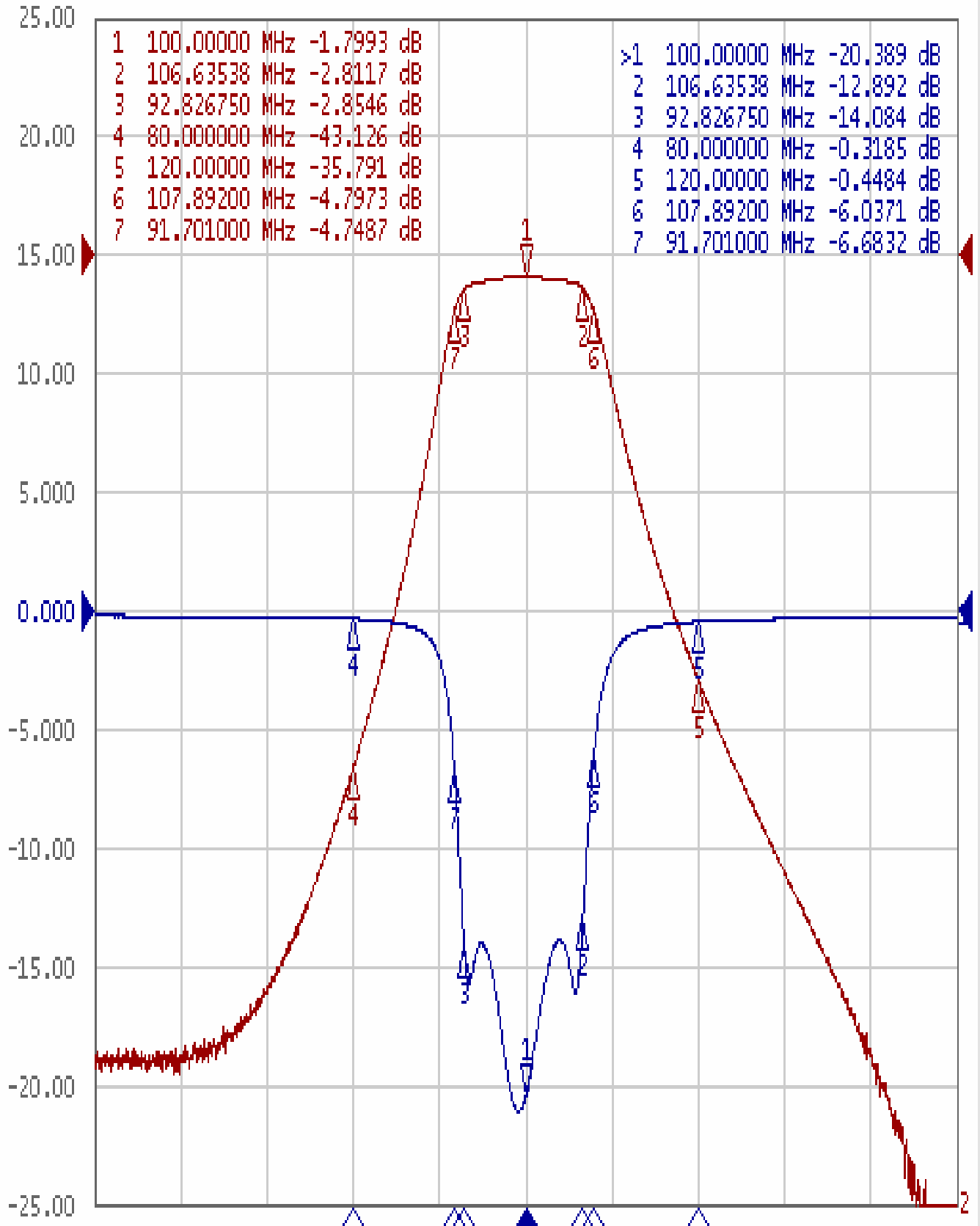
Approval	Supervisor	Designer	Aperture size
C.Y.Chang	C.S.Chang	C.S.Chang	7H4(4*6.5F)(6.61) (7H024LB6.5)
TEMWELL CORPORATION			

Performance-TF69178B-100M

200901075CD

Tr1 S11 Log Mag 5.000dB/ Ref 0.000dB [F3]

Tr2 S21 Log Mag 10.00dB/ Ref 0.000dB [F3]



1 Center 100 MHz

IFBW 10 kHz

Span 100 MHz

