



Your **definitive** source  
for quality pre-owned  
equipment.

**Artisan Technology Group**

(217) 352-9330 | [sales@artisanTG.com](mailto:sales@artisanTG.com) | [artisanTG.com](http://artisanTG.com)

**Full-service, independent repair center**  
with experienced engineers and technicians on staff.

**We buy your excess, underutilized, and idle equipment**  
along with credit for buybacks and trade-ins.

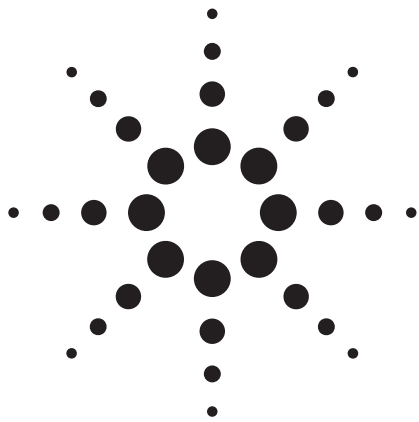
**Custom engineering**  
so your equipment works exactly as you specify.

- Critical and expedited services
- In stock / Ready-to-ship
- Leasing / Rentals / Demos
- ITAR-certified secure asset solutions

**Expert team | Trust guarantee | 100% satisfaction**

All trademarks, brand names, and brands appearing herein are the property of their respective owners.

Find the Keysight / Agilent 8762F at our website: [Click HERE](#)



# Agilent 8762/3/4A,B,C Coaxial Switches

## Product Overview



### High performance switches for microwave and RF instrumentation and systems

Agilent Technologies offers a versatile line of multiport coaxial switches. These 50  $\Omega$  mechanical-latching switches come with the performance and reliability that you have come to expect in Agilent microwave accessories.

Offering excellent electrical and mechanical performance with broadband operation, high isolation, low SWR, long life, and exceptional repeatability, these switches are designed with your applications in mind. Frequency ranges are available to 4 GHz and 18 GHz for the A and B models with SMA connectors and to 26.5 GHz for the C models with APC-3.5 connectors.

The 8762A, 8762B, and 8762C (Figure 1) are single-pole double-throw switches with high isolation, > 100 dB at 4 GHz for the A model,

> 90 dB at 18 GHz for the B model and > 50 dB at 26.5 GHz for the C model. All models terminate the unused port with 50  $\Omega$ , a key feature for your applications where low SWR is required on all ports.

The 8763A, 8763B, and 8763C (Figure 2) have 4 RF ports with one internal 50  $\Omega$  termination designed for applications requiring a transfer switch or a cross switching element.

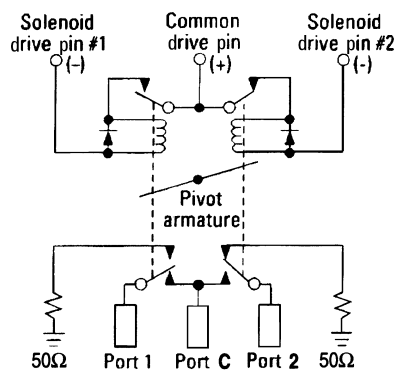


Figure 1. Agilent 8762

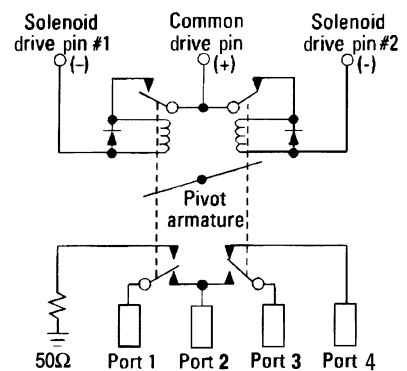


Figure 2. Agilent 8763



Agilent Technologies

The 8764A, 8764B, and 8764C (Figure 3) round out the family with 5 RF ports, giving you flexibility to configure the switch for your specific needs.

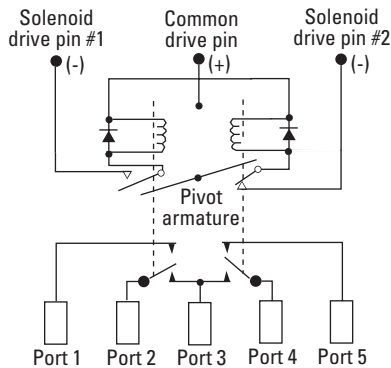


Figure 3. Agilent 8764

### Applications

#### Multi-source switching

The 8762A, 8762B or 8762C is an excellent choice for applications where you require selection of multiple signal sources, frequency counters, or signal control devices such as modulators or filters, or routing signals from multiple sources as shown in Figure 4.

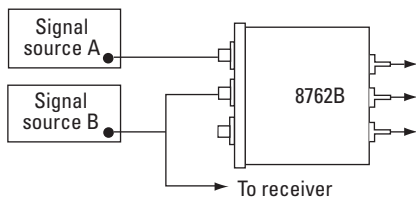


Figure 4. Multi-source switching

#### Transfer switching

For applications requiring a “transfer switch,” as shown in Figure 5, an 8763A, B, or C is the ideal choice to insert a component, such as a filter or mixer, into a signal path. Another popular use is to switch between a device under test and a through path for system calibration. The 8763A,B,C’s internal load can terminate the device under test when in the through mode (up to 1 watt).

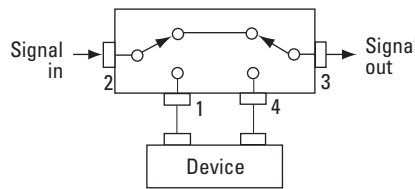


Figure 5. Agilent 8763 used as a transfer switch (equivalent circuit action)

#### Reverse signal path

Figure 6 shows how an 8762 and 8764 may be used to provide a “transceiver” configuration. This example illustrates how one amplifier can be used to transmit or receive. Any application where the signal path direction needs to be reversed could use this configuration.

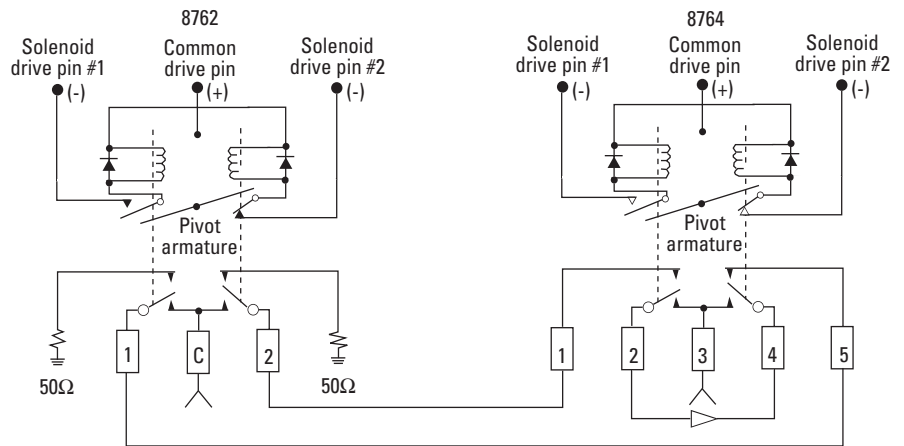


Figure 6. Signal reversal

### **Portable and remote applications**

Due to their small package size, light weight, low power consumption, and high reliability, these switches are ideal for your portable or remote applications. The light weight and repeatability make them well suited for portable spectrum analyzers and other portable microwave test equipment. Their 1,000,000 cycle life make them the ideal candidate for system design, such as communications repeaters or remote monitoring stations that demand minimal maintenance. The switch's automatic coil disconnect feature and low current drain during switching minimize the amount of power needed for operating the switches.

### **Dedicated switching**

For larger switching systems, where many switches will be used to provide complex signal routing, a switch driver such as the 87130A or 70611A is recommended. The 87130A rack-and-stack switch driver and the MMS-based 70611A are convenient, flexible interface bus (GPIB) or modular systems interface bus (MS-IB) switch controllers, providing driver circuitry, indicator readback circuitry and firmware that makes it easy to integrate switch components into a switching system. Controlling the 87130A is simple using either a PC or workstation based GPIB controller and Agilent Interactive Test Generator (Agilent-ITG) or Agilent Visual Engineering Environment (Agilent VEE). The 70611A gives manual control via the MMS user interface or can also be controlled via an GPIB equipped PC or workstation.

In addition, the built-in firmware makes it possible to define often used switch paths. With the path command, macros can be designed which open and close the right solenoids to select the desired switch port, and the path may be given a meaningful name. Remember that only one select pin should be activated at one time to prevent rapid cycling of the switch.

Both the 87130A and 70611A provide position monitoring and reporting, which make it possible for a program to determine if all the switches are in their proper state (position) before the program continues with testing. A programmable wake up condition makes it possible to ensure that the matrix or switching system starts up in a predetermined state, to prevent damage to delicate equipment from excessive power. This would also be the state that the system returns to after a power interruption.

Accessory cables and adapters make it easy to quickly get the 8762/3/4 working with the 87130A or 70611A. Reference literature number 5963-2038E, *Switch Attenuator Driver Configuration Guide*.

For smaller switching needs, the 11713A attenuator/switch controller provides simple GPIB control for up to ten 8762/3/4 switches. Connecting cables can be ordered which make it easy to connect the switches to the 11713A.

## Operation and use

### How the switch works

All the switches are “break before make;” the switched ports are not connected to each other preventing possible damage to sensitive circuits. The standard configuration switch uses 24 Vdc for the switching voltage, Option 876xx-011<sup>1</sup> specifies a voltage of 5 Vdc, and Option 876xx-015 specifies 15 Vdc. Options 876xx-T15 and 876xx-T24 are TTL/5V CMOS compatible with 15 Vdc and 24 Vdc drive respectively.

### Driving the switch

For standard, Options 876xx-011 and 876xx-015 switches, switching is accomplished by applying the supply voltage to pin “C” and grounding the appropriate pin to actuate the switching mechanism. **Avoid grounding both RF path select pins as rapid cycling may occur.** After the switch is fully latched (30 ms), the drive current is automatically disconnected. If the drive circuit is pulsed, the pulse duration must be at least 30 ms to ensure that the switch will fully latch. For TTL/5 volt CMOS compatible drive (Options 876xx-T24 and 876xx-T15), apply the supply voltage to pin “C,” and ground to pin #1. Switch positions by applying a TTL “high” or TTL “low” to pin #2 as needed. See Table 1.

### Remote indication (TTL options excluded)

The position of the switch may be determined by utilizing the open and closed states of the internal coil contacts. Figure 7 displays two indicator circuits, one to provide a TTL output and one that directly activates an LED. The circuits will output a TTL “HI” and LED “on” if the switch is in the state shown in Figure 7. When drive pin 1 contact is closed (as shown), RF port 2 is connected to common port. For the Agilent 8763/4, see Figures 2, 3, and Table 1 for corresponding RF port connections. The circuits shown are designed to operate with coil voltage of 24 V. If other voltage switches are used, the circuit components must be modified to accommodate that voltage.

Since current is drawn through the solenoid for these indicator circuits, inadvertent switching is prevented by limiting the current to 5 mA. Additional design information may be required from the component manufacturer for the circuits described in Figure 7, depending upon specific applications. *Agilent Technologies assumes no responsibility for use of any circuits described herein, and makes no representations or warranties, expressed or implied, that such circuits are free from patent infringements.*

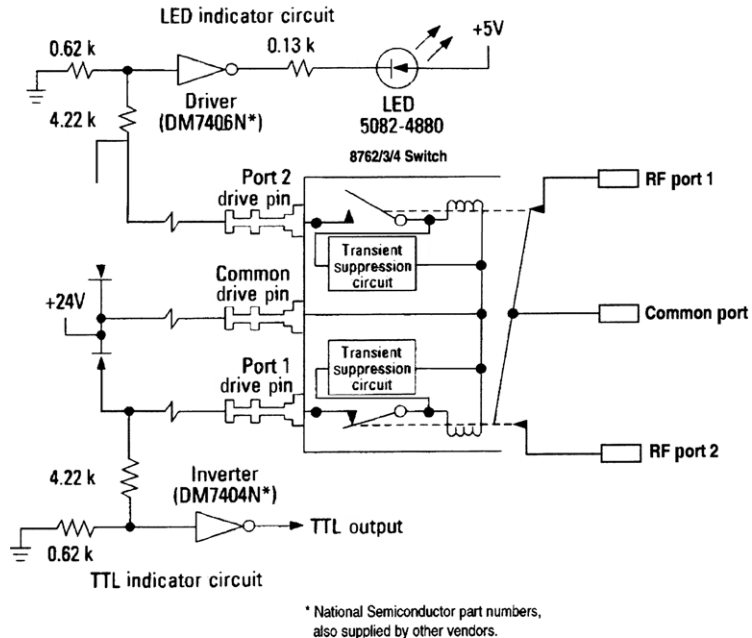
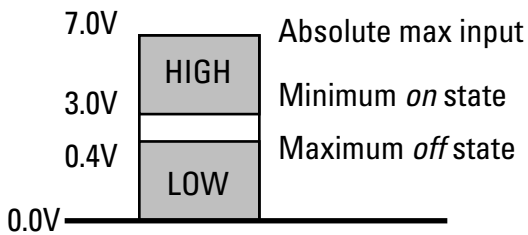


Figure 7. TTL and LED remote indicator circuits

1. Where xx = 2A, 3A, 4A, 2B, 3B, 4B, 2C, 3C, or 4C.

| Model number | Standard drive |        | TTL drive <sup>1</sup> |  |
|--------------|----------------|--------|------------------------|--|
|              | Pin 1          | Pin 2  | Pin 2 <sup>2</sup>     | RF path                                  |
| 8762A/B/C    | Ground         | Open   | TTL high               | 1 to C closed<br>2 terminated            |
|              | Open           | Ground | TTL low                | 2 to C closed<br>1 terminated            |
| 8763A/B/C    | Ground         | Open   | TTL high               | 1 to 2 closed<br>3 to 4 closed           |
|              | Open           | Ground | TTL low                | 1 terminated<br>2 to 3 closed<br>4 open  |
| 8764A/B/C    | Ground         | Open   | TTL high               | 1 open<br>2 to 3 closed<br>4 to 5 closed |
|              | Open           | Ground | TTL low                | 1 to 2 closed<br>3 to 4 closed<br>5 open |

**Table 1. Switching logic table**



**Figure 8. Control voltage states**

1. Pin 1 is always at ground.
2. See Figure 8 for control voltage states.

## Specifications

| Agilent model numbers   | 8762A<br>8763A<br>8764A                         | 8762B<br>8763B<br>8764B  | 8762C<br>8763C<br>8764C  |
|---|---|--|--|
| Frequency range   | dc to 4 GHz                                     | dc to 18 GHz   | dc to 26.5 GHz   |
| Insertion loss  | < 0.20 dB, dc to 2 GHz<br>< 0.25 dB, 2 to 4 GHz | < 0.20 dB, dc to 2 GHz<br>< 0.50 dB, 2 to 18 GHz                       | < 0.25 dB, dc to 2 GHz<br>< 0.50 dB, 2 to 18 GHz<br>< 1.25 dB, 18 to 26.5 GHz                    |
| Isolation between ports   | > 100 dB, dc to 4 GHz                           | > 90 dB, dc to 18 GHz  | > 90 dB, dc to 18 GHz<br>> 50 dB, 18 to 26.5 GHz   |
| SWR through line  | < 1.10, dc to 2 GHz<br>< 1.20, 2 to 4 GHz       | < 1.10, dc to 2 GHz<br>< 1.20, 2 to 12.4 GHz<br>< 1.30, 12.4 to 18 GHz | < 1.15, dc to 2 GHz<br>< 1.25, 2 to 12.4 GHz<br>< 1.40, 12.4 to 18 GHz<br>< 1.80, 18 to 26.5 GHz |
| Into internal 50Ω load (8762s and 8763s)  | < 1.10, dc to 2 GHz<br>< 1.20, 2 to 4           | < 1.10, dc to 2 GHz<br>< 1.20, 2 to 12.4 GHz                           | < 1.15, dc to 2 GHz<br>< 1.25, 2 to 12.4 GHz<br>< 1.30, 12.4 to 18 GHz<br>< 1.80, 18 to 26.5 GHz |
| Connectors  | SMA (f)   | SMA (f)  | 3.5 mm (f)   |
| Insertion loss repeatability dc to 18 GHz<br>18 to 26.5 GHz<br>(Up to 1,000,000 cycles measured at 25 °C) | 0.03 dB maximum                                 | 0.03 dB maximum  | 0.03 dB maximum<br>0.5 dB maximum  |

## General operating data

|                      |   |
|----------------------|---|
| Maximum power rating | 1 watt average; 100 watts peak (not to exceed average power rating); +7 Vdc |
| Life                 | 1,000,000 cycles minimum  |
| Switching solenoid   | Switching speed 30 ms maximum   |

## Switch drive data

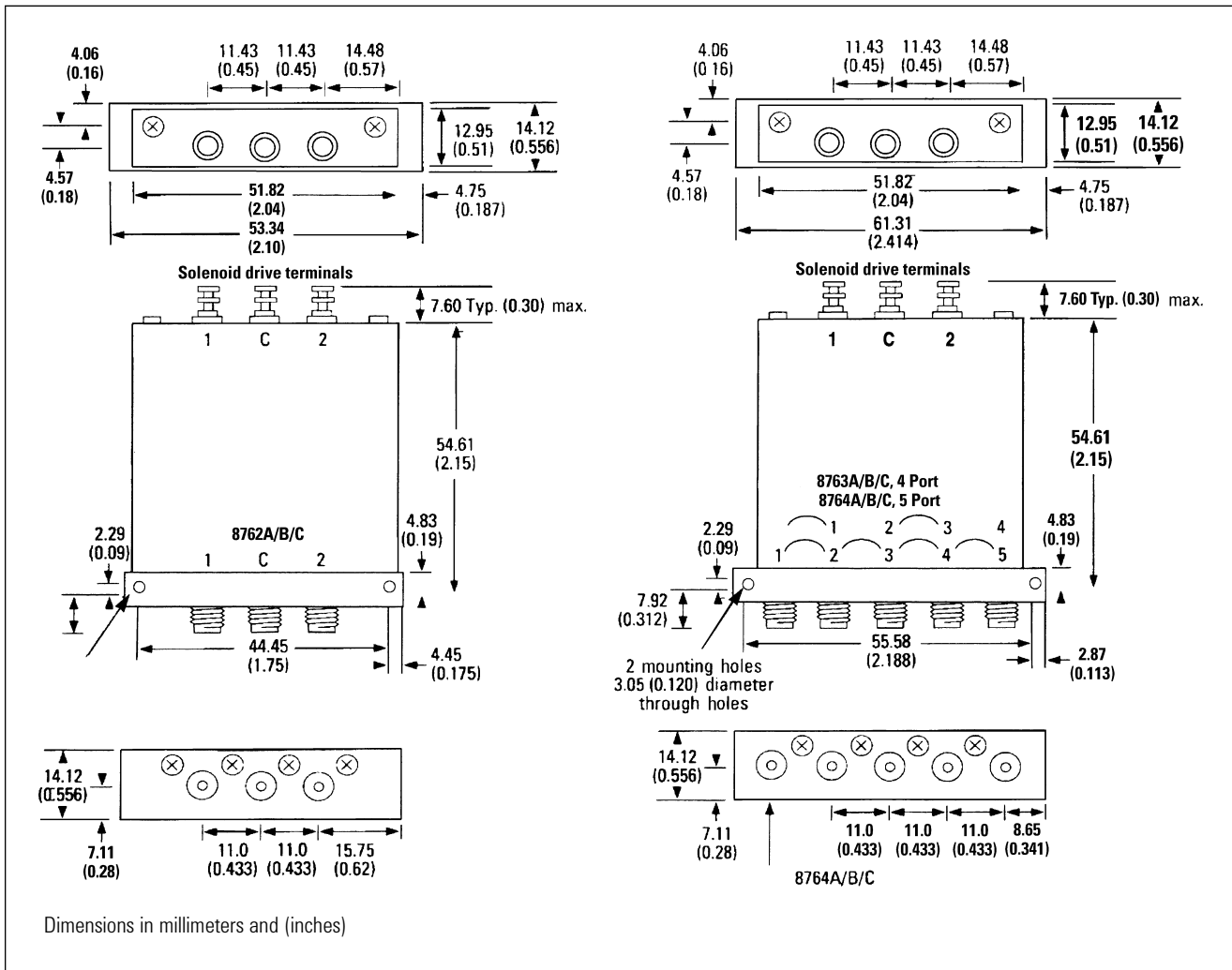
| Parameter                              | Test conditions                        | Minimum | Nominal | Maximum | Units |
|--|--|---------|---------|---------|-------|
| <b>Supply voltage</b>                  |  |         |         |         |       |
| Option 876xx-024 or 876xx-T24          |  | 20      | 24      | 32      | V     |
| Options 876xx-015/876xx-T15            |  | 12      | 15      | 20      | V     |
| Option 876xx-011                       |  | 4.5     | 5       | 7       | V     |
| <b>Supply current</b>                  |  |         |         |         |       |
|  | Switching; pulse width ≥ 30 ms maximum |         |         |         |       |
| Option 876xx-024 or 876xx-T24          | @ Vcc = 24 Vdc                         |         | 120     |         | mA    |
| Option 876xx-015/876xx-T15             | @ Vcc = 15 Vdc                         |         | 182     |         | mA    |
| Option 876xx-011                       | @ Vcc = 5 Vdc                          |         | 400     |         | mA    |
| <b>Impedance</b>                       |  |         |         |         |       |
| Option 876xx-024 or 876xx-T24          |  |         | 200     |         | ohm   |
|  |  |         | 127     |         | mH    |
| Option 876xx-015, Option 876xx-T15     |  |         | 82      |         | ohm   |
|  |  |         | 57      |         | mH    |
| Option 876xx-011                       |  |         | 13      |         | ohm   |
|  |  |         | 8       |         | mH    |
| <b>Options 876xx-T15 and 876xx-T24</b> |  |         |         |         |       |
| High-level input                       |  | 3       |         |         | V     |
| Low-level input                        |  |         |         | 0.4     | V     |
| Max high input current                 | Vcc = Max<br>Vinput = 7.0 Vdc          |         |         | 300     | μA    |
| Supply current (quiescent)             | Vinput = 0.0<br>Vinput = 7.0           |         |         | 2.0     | mA    |
|  |  |         |         | 50      | μA    |

**Environmental**

|  |                                      |                                    |                          |
|--|--------------------------------------|------------------------------------|--------------------------|
| Operating temperature<br>-25 to +75 °C | Humidity<br>95% RH, 40 °C,<br>5 days | Vibration<br>0.05",<br>10 to 55 Hz | Shock<br>50 g's,<br>3 ms |
|--|--------------------------------------|------------------------------------|--------------------------|

**Physical specifications**

Dimensions: Per Figure 9  
Weight: 245 g (9 oz.)



**Figure 9. Product outlines**



### **Agilent Technologies' Test and Measurement Support, Services, and Assistance**

Agilent Technologies aims to maximize the value you receive, while minimizing your risk and problems. We strive to ensure that you get the test and measurement capabilities you paid for and obtain the support you need. Our extensive support resources and services can help you choose the right Agilent products for your applications and apply them successfully. Every instrument and system we sell has a global warranty. Support is available for at least five years beyond the production life of the product. Two concepts underlie Agilent's overall support policy: "Our Promise" and "Your Advantage."

#### **Our Promise**

Our Promise means your Agilent test and measurement equipment will meet its advertised performance and functionality. When you are choosing new equipment, we will help you with product information, including realistic performance specifications and practical recommendations from experienced test engineers. When you use Agilent equipment, we can verify that it works properly, help with product operation, and provide basic measurement assistance for the use of specified capabilities, at no extra cost upon request. Many self-help tools are available.

#### **Your Advantage**

Your Advantage means that Agilent offers a wide range of additional expert test and measurement services, which you can purchase according to your unique technical and business needs. Solve problems efficiently and gain a competitive edge by contracting with us for calibration, extra-cost upgrades, out-of-warranty repairs, and onsite education and training, as well as design, system integration, project management, and other professional engineering services. Experienced Agilent engineers and technicians worldwide can help you maximize your productivity, optimize the return on investment of your Agilent instruments and systems, and obtain dependable measurement accuracy for the life of those products.



### **Agilent Email Updates**

**[www.agilent.com/find/emailupdates](http://www.agilent.com/find/emailupdates)**

Get the latest information on the products and applications you select.

#### **Agilent T&M Software and Connectivity**

Agilent's Test and Measurement software and connectivity products, solutions and developer network allows you to take time out of connecting your instruments to your computer with tools based on PC standards, so you can focus on your tasks, not on your connections. Visit **[www.agilent.com/find/connectivity](http://www.agilent.com/find/connectivity)** for more information.

### **By internet, phone, or fax, get assistance with all your test & measurement needs**

#### **Phone or Fax**

##### **United States:**

(tel) 800 452 4844

##### **Canada:**

(tel) 877 894 4414

(fax) 905 282 6495

##### **China:**

(tel) 800 810 0189

(fax) 800 820 2816

##### **Europe:**

(tel) (31 20) 547 2323

(fax) (31 20) 547 2390

##### **Japan:**

(tel) (81) 426 56 7832

(fax) (81) 426 56 7840

##### **Korea:**

(tel) (82 2) 2004 5004

(fax) (82 2) 2004 5115

##### **Latin America:**

(tel) (305) 269 7500

(fax) (305) 269 7599

##### **Taiwan:**

(tel) 0800 047 866

(fax) 0800 286 331

##### **Other Asia Pacific Countries:**

(tel) (65) 6375 8100

(fax) (65) 6836 0252

Email: [tm\\_asia@agilent.com](mailto:tm_asia@agilent.com)

##### **Online Assistance:**

**[www.agilent.com/find/assist](http://www.agilent.com/find/assist)**

Product specifications and descriptions in this document subject to change without notice.

© Agilent Technologies, Inc. 2001, 2002

Printed in USA, September 23, 2002

5952-1873E



**Agilent Technologies**

# Artisan Technology Group is an independent supplier of quality pre-owned equipment

## Gold-standard solutions

Extend the life of your critical industrial, commercial, and military systems with our superior service and support.

## We buy equipment

Planning to upgrade your current equipment? Have surplus equipment taking up shelf space? We'll give it a new home.

## Learn more!

Visit us at [artisantg.com](https://www.artisantg.com) for more info on price quotes, drivers, technical specifications, manuals, and documentation.

Artisan Scientific Corporation dba Artisan Technology Group is not an affiliate, representative, or authorized distributor for any manufacturer listed herein.

We're here to make your life easier. How can we help you today?

(217) 352-9330 | [sales@artisantg.com](mailto:sales@artisantg.com) | [artisantg.com](https://www.artisantg.com)

