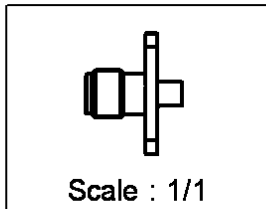
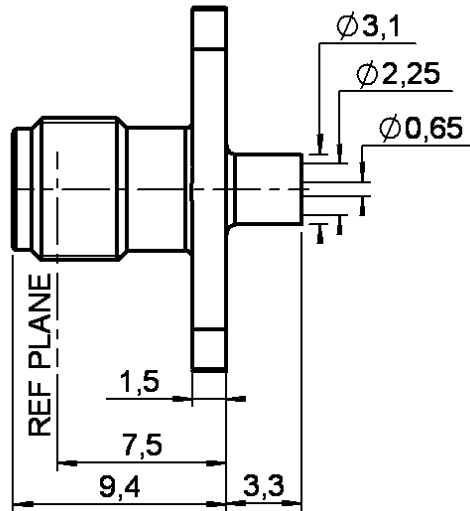
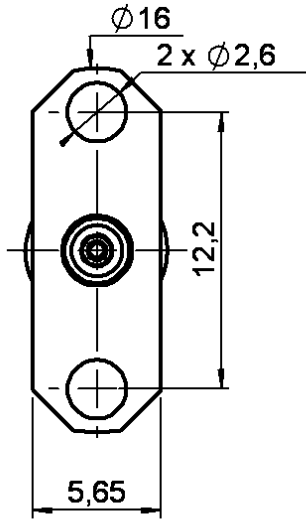


STRAIGHT 2 HOLES FLANGE JACK SOLDER TYPE

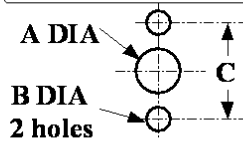
R125.252.000

CABLE .085

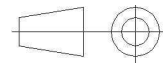
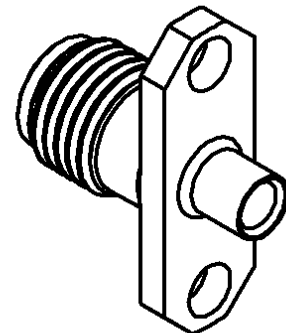
Series : SMA



PANEL CUT OUT



mm		
	Maxi	mini
A	6.6	6.5
B	2.7	2.6
C	12.25	12.15



All dimensions are in mm.

COMPONENTS	MATERIALS	PLATINGS (µm)
BODY	INOX	GOLD 0.5 OVER NICKEL 2
CENTER CONTACT	BERYLLIUM COPPER	GOLD 1.3 OVER NICKEL 2
OUTER CONTACT	-	-
INSULATOR	PTFE	-
GASKET	-	-
OTHERS PARTS	-	-
-	-	-
-	-	-

Issue : 1216 J

In the effort to improve our products, we reserve the right to make changes judged to be necessary.



STRAIGHT 2 HOLES FLANGE JACK SOLDER TYPE

R125.252.000

CABLE .085

Series : SMA

PACKAGING

Standard	Unit	Other
100	'W' option	Contact us

SPECIFICATION

CABLE ASSEMBLY

Stripping	a	b	c	d	e	f
mm	3,17	0,00	0,00	0,00	0,00	0,00

ELECTRICAL CHARACTERISTICS

Assembly instruction : **Solder 01**

Recommended cable(s)
RG 405
KS 1

Cable retention

- pull off **130 N mini**
- torque **NA N.cm**

Impedance **50 Ω**
Frequency **0-18 GHz**
VSWR **1.07 + 0,0080** x F(GHz) Maxi
Insertion loss **0.03** √F(GHz) dB Maxi
RF leakage - (**90** - F(GHz)) dB Maxi
Voltage rating **335** Veff Maxi
Dielectric withstanding voltage **750** Veff mini
Insulation resistance **5000** MΩ mini

MECHANICAL CHARACTERISTICS

TOOLING

Part Number	Description	Hexagon
R282.063.000	POINTER GAUGE	
R282.051.000	STRIPPING TOOL	denudage(denude)
R282.744.010	SOLDERING POSITIONER (BODY)	
R282.740.000	SOLDERING MOUNTING	
R282.914.010	DIELETRIC RECESS GAUGE	
R282.744.220	SOLDERING POSITIONER(CENTER CONTACT)	
R282.730.043	INSULATOR MOUNTING TOOL	
R282.915.010	DIELECTRIC RECESS TOOL	
R282.862.060	CONTROL GAUGE	
R282.120.010	SMA TOOLBOX	

Center contact retention
Axial force – Mating end **NA N mini**
Axial force – Opposite end **NA N mini**
Torque **NA N.cm mini**

Recommended torque
Mating **NA N.cm**
Panel nut **NA N.cm**
Clamp nut **NA N.cm**
A/F clamp nut **0,0000 mm**

Mating life **500** Cycles mini
Weight **1,8000** g

ENVIRONMENTAL

Operating temperature **-65/+105 °C**
Hermetic seal **NA** Atm.cm3/s
Panel leakage **NA**

OTHERS CHARACTERISTICS

Issue : 1216 J

In the effort to improve our products, we reserve the right to make changes judged to be necessary.



Mouser Electronics

Authorized Distributor

Click to View Pricing, Inventory, Delivery & Lifecycle Information:

Radial:

[R125252000](#) [R125252000W](#)