

EN - For pricing and availability in your local country please visit one of the below links:

DE - Informationen zu Preisen und Verfügbarkeit in Ihrem Land erhalten Sie über die unten aufgeführten Links:

FR - Pour connaître les tarifs et la disponibilité dans votre pays, cliquez sur l'un des liens suivants:

[MC01W0805114K0](#) [MC01W080511K62](#) [MC01W080512K74](#) [MC01W0805140K2](#) [MC01W0805168R](#)

[MC01W0805175K](#) [MC01W08051120K](#) [MC01W0805147R](#) [MC01W08051560R](#)

EN

This Datasheet is presented by
the manufacturer

DE

Dieses Datenblatt wird vom
Hersteller bereitgestellt

FR

Cette fiche technique est
présentée par le fabricant

0805

Thick Film Chip Resistor



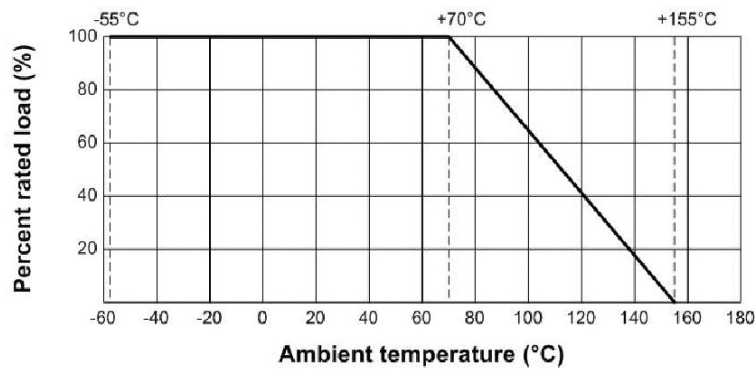
Ratings:

Type	0805
Power Rating	0.10W (1/10W)
Max. Working Voltage	150V
Max. Overload Voltage	300V
Temperature Range	-55°C to +155°C
Ambient Temperature	70°C
Resistance Range	1Ω to 10MΩ

Power Rating:

Resistors shall have a power rating based on continuous load operation at an ambient temperature of 70°C. For temperature in excess of 70°C, the load shall be derate as shown in figure 1.

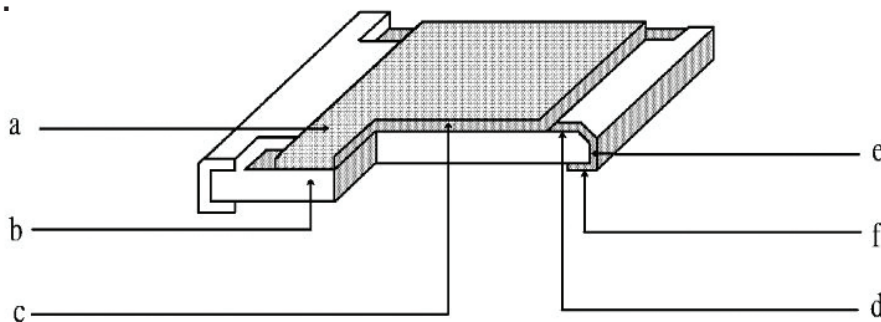
Figure 1



Nominal Resistance

Effective figures of nominal resistance shall be in accordance with E-24 and E-96 series. E-96 series for 1% and E-24 series for 2% and 5%

Construction:



- a. Protective coating : Epoxy
- b. Al₂O₃ high purity alumina substrate : Al 96%
- c. Resistive element : RuO₂, Ag, Glass
- d. Termination (Inner) : Ag/Pd
- e. Termination (Between) : Ni plating film
- f. Termination (Outer) : Sn plating film

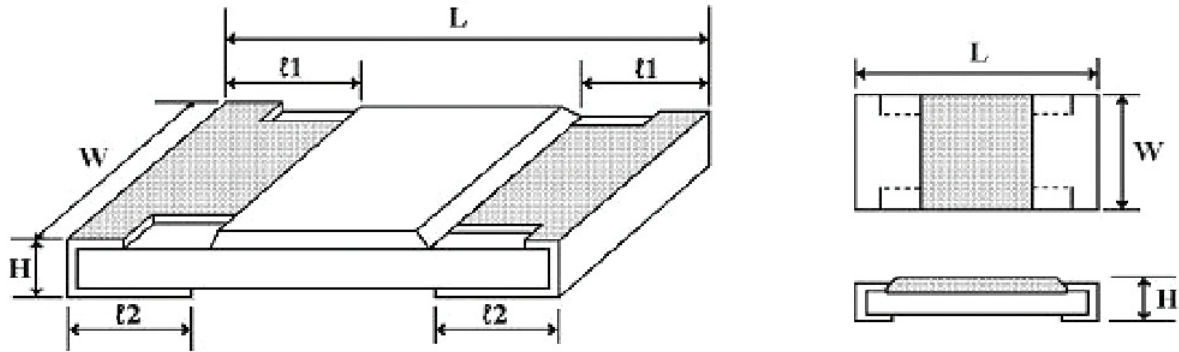


0805

Thick Film Chip Resistor



Power Rating and Dimensions:



Dimension :

Type	Dimension (mm)				
	$L \pm 0.15$	$W + 0.15$ $- 0.1$	$H \pm 0.1$	$l1 \pm 0.2$	$l2 \pm 0.2$
0805	2	1.25	0.55	0.4	0.4

Power Rating :

Type	Power Rating at 70°C	Tolerance %	Resistance Range	Standard Series
0805	0.10W (1/10W)	±1	1Ω to 10MΩ	E-96

Marking :

Resistors

Marking for E-96 series in 0805 size : 4 Digits

*The first 3 digits are significant figures of resistance and the 4th digit denoted number of zeros.

Ex.		1003		100KΩ
-----	--	------	--	-------

*For ohmic values below 100 Ω, letter "R" is for decimal point.

Ex.		1R80		1.8Ω
-----	--	------	--	------

0805

Thick Film Chip Resistor



Performance Specifications:

Characteristics	Limits	Test Methods (JIS C 5201-1)
Insulation resistance	1,000MΩ or more	Apply 500V DC between protective coating and termination for 1 min, then measure (Sub-clause 4.6)
Dielectric withstanding voltage	No evidence of flashover mechanical damage, arcing or insulation break down	Apply 500V AC between protective coating and termination for 1 minute (Sub-clause 4.7)
Temperature coefficient	1Ω-10Ω : ± 400 PPM / °C 11Ω-100Ω : ± 200 PPM / °C >100Ω : ± 100 PPM / °C	Natural resistance change per temp. degree centigrade. $\frac{R_2 - R_1}{R_1(t_2 - t_1)} \times 10^6 \text{ (PPM / } ^\circ\text{C)}$ R1: Resistance value at room temperature (t1) R2: Resistance value at room temp. plus 100°C (t2) (Sub-clause 4.8)
Short time overload	Resistance change rate is ± (1.0% + 0.1Ω) Max.	Permanent resistance change after the application of a potential of 2.5 times RCWV for 5 seconds (Sub-clause 4.13)
Solderability	95 % coverage Min.	Test temperature of solder : 245 ± 3°C Dwell time in solder : 2 to 3 seconds (Sub-clause 4.17)
Soldering temp. reference	Electrical characteristics shall be satisfied. Without distinct deformation in appearance. (95% coverage Min.)	<p>Wave soldering condition: (2 cycles Max.) Pre-heat : 100°C to 120°C, 30 ± 5 sec. Suggestion solder temp. : 235°C to 255°C, 10 sec. (Max.) Peak temp. : 260°C</p> <p>Reflow soldering condition: (2 cycles Max.) Pre-heat : 150°C to 180°C, 90 sec to 120 sec. Suggestion solder temp.: 235°C to 255°C, 20 sec to 40 sec. Peak temp. : 260°C</p> <p>Hand soldering condition: The soldering iron tip temperature should be less than 300°C and maximum contract time should be 5 sec.</p>

0805

Thick Film Chip Resistor



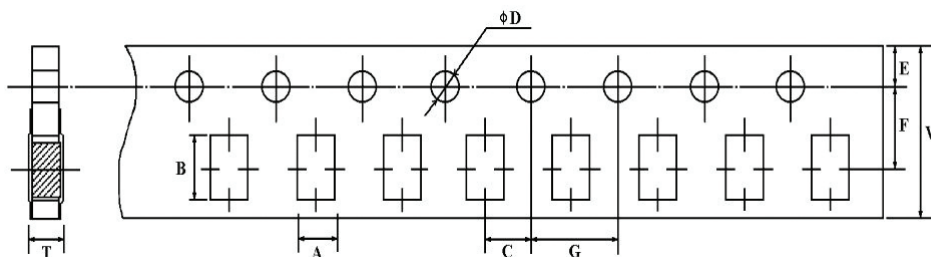
Performance Specifications:

Characteristics	Limits	Test Methods (JIS C 5201-1)															
Soldering Heat	Resistance change rate is: $\pm(1\%+0.05\Omega)$ Max.	Dip the resistor into a solder bath having a temperature of $260^{\circ}\text{C}\pm 3^{\circ}\text{C}$ and hold it for 10 ± 1 seconds. (Sub-clause 4.18)															
Temperature cycling	Resistance change rate is $\pm 1\%$ ($0.5\% + 0.05\Omega$) Max.	Resistance change after continuous 5 cycles for duty cycle specified below : <table border="1"> <thead> <tr> <th>Step</th> <th>Temperature</th> <th>Time</th> </tr> </thead> <tbody> <tr> <td>1</td> <td>$-55^{\circ}\text{C} \pm 3^{\circ}\text{C}$</td> <td>30 mins</td> </tr> <tr> <td>2</td> <td>Room temp.</td> <td>10 to 15 mins</td> </tr> <tr> <td>3</td> <td>$+155^{\circ}\text{C} \pm 2^{\circ}\text{C}$</td> <td>30 mins</td> </tr> <tr> <td>4</td> <td>Room temp.</td> <td>10 to 15 mins</td> </tr> </tbody> </table> (Sub-clause 4.19)	Step	Temperature	Time	1	$-55^{\circ}\text{C} \pm 3^{\circ}\text{C}$	30 mins	2	Room temp.	10 to 15 mins	3	$+155^{\circ}\text{C} \pm 2^{\circ}\text{C}$	30 mins	4	Room temp.	10 to 15 mins
Step	Temperature	Time															
1	$-55^{\circ}\text{C} \pm 3^{\circ}\text{C}$	30 mins															
2	Room temp.	10 to 15 mins															
3	$+155^{\circ}\text{C} \pm 2^{\circ}\text{C}$	30 mins															
4	Room temp.	10 to 15 mins															
Load life in humidity	Resistance change rate is $\pm 1\%$ ($1\% + 0.1\Omega$) Max.	Resistance change after 1,000 hours (1.5 hours "on", 0.5 hour "off") at RCWV in a humidity chamber controlled at $40^{\circ}\text{C} \pm 2^{\circ}\text{C}$ and 90 to 95 % relative humidity (Sub-clause 4.24.2.1)															
Load Life	Resistance change rate is $\pm 1\%$ ($1\% + 0.1\Omega$) Max.	Permanent resistance change after 1,000 hours operating at RCWV, with duty cycle of 1.5 hours "on", 0.5 hour "off") at $70^{\circ}\text{C} \pm 2^{\circ}\text{C}$ ambient Sub-clause 4.25.1)															
Terminal bending	Resistance change rate is $\pm (1\% + 0.05\Omega)$ Max.	Twist of Test Board : Y/X = 5/90 mm for 10 seconds (Sub-clause 4.33)															

Packing specification:

* Taping Dimension (mm)

A. Paper taping



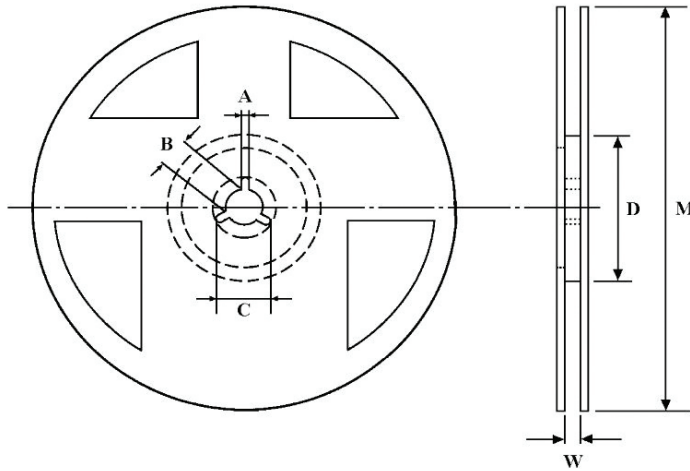
Type	A ± 0.2	B ± 0.2	C ± 0.05	$\phi D \begin{smallmatrix} +0.1 \\ -0 \end{smallmatrix}$	E ± 0.1	F ± 0.05	G ± 0.1	W ± 0.2	T ± 0.1
0805	1.65	2.4	2	1.5	1.75	3.5	4	8	0.81

0805

Thick Film Chip Resistor



* Reel Dimension (mm)



Type	Packaging	Quantity Per Reel	A ± 0.5	B ± 0.5	C ± 0.5	D ± 1	M ± 2	W ± 1
0805	Paper	5,000 pcs. / Reel	2	13	21	60	178	10

Remark : \varnothing M 20,000 pcs. / Reel = 255 ± 2 mm
 40,000 pcs. / Reel = 330 ± 2 mm

Part Number Table

Description	Part Number
Resistor, 0805, 1R0, 1%, Full Reel	MC0.1W08051%1R0FR
Resistor, 0805, 1R5, 1%, Full Reel	MC0.1W08051%1R5FR
Resistor, 0805, 1R10, 1%, Full Reel	MC0.1W08051%1R10FR
Resistor, 0805, 1R15, 1%, Full Reel	MC0.1W08051%1R15FR
Resistor, 0805, 1R20, 1%, Full Reel	MC0.1W08051%1R20FR
Resistor, 0805, 1R21, 1%, Full Reel	MC0.1W08051%1R21FR
Resistor, 0805, 1R27, 1%, Full Reel	MC0.1W08051%1R27FR
Resistor, 0805, 1R30, 1%, Full Reel	MC0.1W08051%1R30FR
Resistor, 0805, 1R33, 1%, Full Reel	MC0.1W08051%1R33FR
Resistor, 0805, 1R40, 1%, Full Reel	MC0.1W08051%1R40FR
Resistor, 0805, 1R60, 1%, Full Reel	MC0.1W08051%1R60FR
Resistor, 0805, 1R62, 1%, Full Reel	MC0.1W08051%1R62FR
Resistor, 0805, 1R69, 1%, Full Reel	MC0.1W08051%1R69FR
Resistor, 0805, 1R80, 1%, Full Reel	MC0.1W08051%1R80FR
Resistor, 0805, 1R87, 1%, Full Reel	MC0.1W08051%1R87FR
Resistor, 0805, 1R96, 1%, Full Reel	MC0.1W08051%1R96FR

www.element14.com
 www.farnell.com
 www.newark.com



0805

Thick Film Chip Resistor



Description	Part Number
Resistor, 0805, 2R0, 1%, Full Reel	MC0.1W08051%2R0FR
Resistor, 0805, 2R15, 1%, Full Reel	MC0.1W08051%2R15FR
Resistor, 0805, 2R20, 1%, Full Reel	MC0.1W08051%2R2FR
Resistor, 0805, 2R26, 1%, Full Reel	MC0.1W08051%2R26FR
Resistor, 0805, 2R37, 1%, Full Reel	MC0.1W08051%2R37FR
Resistor, 0805, 2R40, 1%, Full Reel	MC0.1W08051%2R40FR
Resistor, 0805, 2R49, 1%, Full Reel	MC0.1W08051%2R49FR
Resistor, 0805, 2R61, 1%, Full Reel	MC0.1W08051%2R61FR
Resistor, 0805, 2R70, 1%, Full Reel	MC0.1W08051%2R70FR
Resistor, 0805, 2R74, 1%, Full Reel	MC0.1W08051%2R74FR
Resistor, 0805, 2R87, 1%, Full Reel	MC0.1W08051%2R87FR
Resistor, 0805, 3R0, 1%, Full Reel	MC0.1W08051%3R0FR
Resistor, 0805, 3R16, 1%, Full Reel	MC0.1W08051%3R16FR
Resistor, 0805, 3R30, 1%, Full Reel	MC0.1W08051%3R3FR
Resistor, 0805, 3R32, 1%, Full Reel	MC0.1W08051%3R32FR
Resistor, 0805, 3R48, 1%, Full Reel	MC0.1W08051%3R48FR
Resistor, 0805, 3R60, 1%, Full Reel	MC0.1W08051%3R60FR
Resistor, 0805, 3R65, 1%, Full Reel	MC0.1W08051%3R65FR
Resistor, 0805, 3R83, 1%, Full Reel	MC0.1W08051%3R83FR
Resistor, 0805, 3R90, 1%, Full Reel	MC0.1W08051%3R90FR
Resistor, 0805, 4R22, 1%, Full Reel	MC0.1W08051%4R22FR
Resistor, 0805, 4R30, 1%, Full Reel	MC0.1W08051%4R30FR
Resistor, 0805, 4R42, 1%, Full Reel	MC0.1W08051%4R42FR
Resistor, 0805, 4R64, 1%, Full Reel	MC0.1W08051%4R64FR
Resistor, 0805, 4R70, 1%, Full Reel	MC0.1W08051%4R7FR
Resistor, 0805, 4R87, 1%, Full Reel	MC0.1W08051%4R87FR
Resistor, 0805, 5R10, 1%, Full Reel	MC0.1W08051%5R10FR
Resistor, 0805, 5R11, 1%, Full Reel	MC0.1W08051%5R11FR
Resistor, 0805, 5R36, 1%, Full Reel	MC0.1W08051%5R36FR
Resistor, 0805, 5R60, 1%, Full Reel	MC0.1W08051%5R60FR
Resistor, 0805, 5R62, 1%, Full Reel	MC0.1W08051%5R62FR
Resistor, 0805, 5R90, 1%, Full Reel	MC0.1W08051%5R90FR
Resistor, 0805, 6R19, 1%, Full Reel	MC0.1W08051%6R19FR
Resistor, 0805, 6R20, 1%, Full Reel	MC0.1W08051%6R20FR
Resistor, 0805, 6R49, 1%, Full Reel	MC0.1W08051%6R49FR
Resistor, 0805, 6R80, 1%, Full Reel	MC0.1W08051%6R8FR
Resistor, 0805, 6R81, 1%, Full Reel	MC0.1W08051%6R81FR

0805

Thick Film Chip Resistor



Description	Part Number
Resistor, 0805, 7R15, 1%, Full Reel	MC0.1W08051%7R15FR
Resistor, 0805, 7R50, 1%, Full Reel	MC0.1W08051%7R50FR
Resistor, 0805, 7R87, 1%, Full Reel	MC0.1W08051%7R87FR
Resistor, 0805, 8R20, 1%, Full Reel	MC0.1W08051%8R20FR
Resistor, 0805, 8R25, 1%, Full Reel	MC0.1W08051%8R25FR
Resistor, 0805, 8R66, 1%, Full Reel	MC0.1W08051%8R66FR
Resistor, 0805, 9R10, 1%, Full Reel	MC0.1W08051%9R10FR
Resistor, 0805, 9R53, 1%, Full Reel	MC0.1W08051%9R53FR
Resistor, 0805, 10R0, 1%, Full Reel	MC0.1W08051%10RFR
Resistor, 0805, 10R5, 1%, Full Reel	MC0.1W08051%10R5FR
Resistor, 0805, 11R0, 1%, Full Reel	MC0.1W08051%11RFR
Resistor, 0805, 11R5, 1%, Full Reel	MC0.1W08051%11R5FR
Resistor, 0805, 12R0, 1%, Full Reel	MC0.1W08051%12RFR
Resistor, 0805, 12R1, 1%, Full Reel	MC0.1W08051%12R1FR
Resistor, 0805, 12R7, 1%, Full Reel	MC0.1W08051%12R7FR
Resistor, 0805, 13R0, 1%, Full Reel	MC0.1W08051%13RFR
Resistor, 0805, 13R3, 1%, Full Reel	MC0.1W08051%13R3FR
Resistor, 0805, 14R0, 1%, Full Reel	MC0.1W08051%14R0FR
Resistor, 0805, 14R7, 1%, Full Reel	MC0.1W08051%14R7FR
Resistor, 0805, 15R0, 1%, Full Reel	MC0.1W08051%15RFR
Resistor, 0805, 15R4, 1%, Full Reel	MC0.1W08051%15R4FR
Resistor, 0805, 16R0, 1%, Full Reel	MC0.1W08051%16RFR
Resistor, 0805, 16R2, 1%, Full Reel	MC0.1W08051%16R2FR
Resistor, 0805, 16R9, 1%, Full Reel	MC0.1W08051%16R9FR
Resistor, 0805, 17R8, 1%, Full Reel	MC0.1W08051%17R8FR
Resistor, 0805, 18R0, 1%, Full Reel	MC0.1W08051%18RFR
Resistor, 0805, 18R7, 1%, Full Reel	MC0.1W08051%18R7FR
Resistor, 0805, 19R6, 1%, Full Reel	MC0.1W08051%19R6FR
Resistor, 0805, 20R0, 1%, Full Reel	MC0.1W08051%20RFR
Resistor, 0805, 20R5, 1%, Full Reel	MC0.1W08051%20R5FR
Resistor, 0805, 21R5, 1%, Full Reel	MC0.1W08051%21R5FR
Resistor, 0805, 22R0, 1%, Full Reel	MC0.1W08051%22RFR
Resistor, 0805, 22R6, 1%, Full Reel	MC0.1W08051%22R6FR
Resistor, 0805, 23R7, 1%, Full Reel	MC0.1W08051%23R7FR
Resistor, 0805, 24R0, 1%, Full Reel	MC0.1W08051%24RFR
Resistor, 0805, 24R9, 1%, Full Reel	MC0.1W08051%24R9FR
Resistor, 0805, 26R1, 1%, Full Reel	MC0.1W08051%26R1FR

0805

Thick Film Chip Resistor



Description	Part Number
Resistor, 0805, 27R0, 1%, Full Reel	MC0.1W08051%27RFR
Resistor, 0805, 27R4, 1%, Full Reel	MC0.1W08051%27R4FR
Resistor, 0805, 28R7, 1%, Full Reel	MC0.1W08051%28R7FR
Resistor, 0805, 30R0, 1%, Full Reel	MC0.1W08051%30RFR
Resistor, 0805, 30R1, 1%, Full Reel	MC0.1W08051%30R1FR
Resistor, 0805, 31R6, 1%, Full Reel	MC0.1W08051%31R6FR
Resistor, 0805, 33R0, 1%, Full Reel	MC0.1W08051%33RFR
Resistor, 0805, 33R2, 1%, Full Reel	MC0.1W08051%33R2FR
Resistor, 0805, 34R8, 1%, Full Reel	MC0.1W08051%34R8FR
Resistor, 0805, 36R0, 1%, Full Reel	MC0.1W08051%36RFR
Resistor, 0805, 36R5, 1%, Full Reel	MC0.1W08051%36R5FR
Resistor, 0805, 38R3, 1%, Full Reel	MC0.1W08051%38R3FR
Resistor, 0805, 39R0, 1%, Full Reel	MC0.1W08051%39RFR
Resistor, 0805, 40R2, 1%, Full Reel	MC0.1W08051%40R2FR
Resistor, 0805, 42R2, 1%, Full Reel	MC0.1W08051%42R2FR
Resistor, 0805, 43R0, 1%, Full Reel	MC0.1W08051%43RFR
Resistor, 0805, 44R2, 1%, Full Reel	MC0.1W08051%44R2FR
Resistor, 0805, 46R4, 1%, Full Reel	MC0.1W08051%46R4FR
Resistor, 0805, 47R0, 1%, Full Reel	MC0.1W08051%47RFR
Resistor, 0805, 48R7, 1%, Full Reel	MC0.1W08051%48R7FR
Resistor, 0805, 49R9, 1%, Full Reel	MC0.1W08051%49R9FR
Resistor, 0805, 51R0, 1%, Full Reel	MC0.1W08051%51RFR
Resistor, 0805, 51R1, 1%, Full Reel	MC0.1W08051%51R1FR
Resistor, 0805, 53R6, 1%, Full Reel	MC0.1W08051%53R6FR
Resistor, 0805, 56R0, 1%, Full Reel	MC0.1W08051%56RFR
Resistor, 0805, 56R2, 1%, Full Reel	MC0.1W08051%56R2FR
Resistor, 0805, 59R0, 1%, Full Reel	MC0.1W08051%59R0FR
Resistor, 0805, 61R9, 1%, Full Reel	MC0.1W08051%61R9FR
Resistor, 0805, 62R0, 1%, Full Reel	MC0.1W08051%62RFR
Resistor, 0805, 64R9, 1%, Full Reel	MC0.1W08051%64R9FR
Resistor, 0805, 68R0, 1%, Full Reel	MC0.1W08051%68RFR
Resistor, 0805, 68R1, 1%, Full Reel	MC0.1W08051%68R1FR
Resistor, 0805, 71R5, 1%, Full Reel	MC0.1W08051%71R5FR
Resistor, 0805, 75R0, 1%, Full Reel	MC0.1W08051%75RFR
Resistor, 0805, 78R7, 1%, Full Reel	MC0.1W08051%78R7FR
Resistor, 0805, 82R0, 1%, Full Reel	MC0.1W08051%82RFR
Resistor, 0805, 82R5, 1%, Full Reel	MC0.1W08051%82R5FR

0805

Thick Film Chip Resistor



Description	Part Number
Resistor, 0805, 86R6, 1%, Full Reel	MC0.1W08051%86R6FR
Resistor, 0805, 90R9, 1%, Full Reel	MC0.1W08051%90R9FR
Resistor, 0805, 91R0, 1%, Full Reel	MC0.1W08051%91RFR
Resistor, 0805, 95R3, 1%, Full Reel	MC0.1W08051%95R3FR
Resistor, 0805, 100R, 1%, Full Reel	MC0.1W08051%100RFR
Resistor, 0805, 105R, 1%, Full Reel	MC0.1W08051%105RFR
Resistor, 0805, 110R, 1%, Full Reel	MC0.1W08051%110RFR
Resistor, 0805, 115R, 1%, Full Reel	MC0.1W08051%115RFR
Resistor, 0805, 120R, 1%, Full Reel	MC0.1W08051%120RFR
Resistor, 0805, 121R, 1%, Full Reel	MC0.1W08051%121RFR
Resistor, 0805, 127R, 1%, Full Reel	MC0.1W08051%127RFR
Resistor, 0805, 130R, 1%, Full Reel	MC0.1W08051%130RFR
Resistor, 0805, 133R, 1%, Full Reel	MC0.1W08051%133RFR
Resistor, 0805, 140R, 1%, Full Reel	MC0.1W08051%140RFR
Resistor, 0805, 147R, 1%, Full Reel	MC0.1W08051%147RFR
Resistor, 0805, 150R, 1%, Full Reel	MC0.1W08051%150RFR
Resistor, 0805, 154R, 1%, Full Reel	MC0.1W08051%154RFR
Resistor, 0805, 160R, 1%, Full Reel	MC0.1W08051%160RFR
Resistor, 0805, 162R, 1%, Full Reel	MC0.1W08051%162RFR
Resistor, 0805, 169R, 1%, Full Reel	MC0.1W08051%169RFR
Resistor, 0805, 178R, 1%, Full Reel	MC0.1W08051%178RFR
Resistor, 0805, 180R, 1%, Full Reel	MC0.1W08051%180RFR
Resistor, 0805, 187R, 1%, Full Reel	MC0.1W08051%187RFR
Resistor, 0805, 196R, 1%, Full Reel	MC0.1W08051%196RFR
Resistor, 0805, 200R, 1%, Full Reel	MC0.1W08051%200RFR
Resistor, 0805, 205R, 1%, Full Reel	MC0.1W08051%205RFR
Resistor, 0805, 215R, 1%, Full Reel	MC0.1W08051%215RFR
Resistor, 0805, 220R, 1%, Full Reel	MC0.1W08051%220RFR
Resistor, 0805, 226R, 1%, Full Reel	MC0.1W08051%226RFR
Resistor, 0805, 237R, 1%, Full Reel	MC0.1W08051%237RFR
Resistor, 0805, 240R, 1%, Full Reel	MC0.1W08051%240RFR
Resistor, 0805, 249R, 1%, Full Reel	MC0.1W08051%249RFR
Resistor, 0805, 261R, 1%, Full Reel	MC0.1W08051%261RFR
Resistor, 0805, 270R, 1%, Full Reel	MC0.1W08051%270RFR
Resistor, 0805, 274R, 1%, Full Reel	MC0.1W08051%274RFR
Resistor, 0805, 287R, 1%, Full Reel	MC0.1W08051%287RFR
Resistor, 0805, 300R, 1%, Full Reel	MC0.1W08051%300RFR

0805

Thick Film Chip Resistor



Description	Part Number
Resistor, 0805, 301R, 1%, Full Reel	MC0.1W08051%301RFR
Resistor, 0805, 316R, 1%, Full Reel	MC0.1W08051%316RFR
Resistor, 0805, 330R, 1%, Full Reel	MC0.1W08051%330RFR
Resistor, 0805, 332R, 1%, Full Reel	MC0.1W08051%332RFR
Resistor, 0805, 348R, 1%, Full Reel	MC0.1W08051%348RFR
Resistor, 0805, 360R, 1%, Full Reel	MC0.1W08051%360RFR
Resistor, 0805, 365R, 1%, Full Reel	MC0.1W08051%365RFR
Resistor, 0805, 383R, 1%, Full Reel	MC0.1W08051%383RFR
Resistor, 0805, 390R, 1%, Full Reel	MC0.1W08051%390RFR
Resistor, 0805, 402R, 1%, Full Reel	MC0.1W08051%402RFR
Resistor, 0805, 422R, 1%, Full Reel	MC0.1W08051%422RFR
Resistor, 0805, 430R, 1%, Full Reel	MC0.1W08051%430RFR
Resistor, 0805, 442R, 1%, Full Reel	MC0.1W08051%442RFR
Resistor, 0805, 464R, 1%, Full Reel	MC0.1W08051%464RFR
Resistor, 0805, 470R, 1%, Full Reel	MC0.1W08051%470RFR
Resistor, 0805, 487R, 1%, Full Reel	MC0.1W08051%487RFR
Resistor, 0805, 510R, 1%, Full Reel	MC0.1W08051%510RFR
Resistor, 0805, 511R, 1%, Full Reel	MC0.1W08051%511RFR
Resistor, 0805, 536R, 1%, Full Reel	MC0.1W08051%536RFR
Resistor, 0805, 560R, 1%, Full Reel	MC0.1W08051%560RFR
Resistor, 0805, 562R, 1%, Full Reel	MC0.1W08051%562RFR
Resistor, 0805, 590R, 1%, Full Reel	MC0.1W08051%590RFR
Resistor, 0805, 619R, 1%, Full Reel	MC0.1W08051%619RFR
Resistor, 0805, 620R, 1%, Full Reel	MC0.1W08051%620RFR
Resistor, 0805, 649R, 1%, Full Reel	MC0.1W08051%649RFR
Resistor, 0805, 680R, 1%, Full Reel	MC0.1W08051%680RFR
Resistor, 0805, 681R, 1%, Full Reel	MC0.1W08051%681RFR
Resistor, 0805, 715R, 1%, Full Reel	MC0.1W08051%715RFR
Resistor, 0805, 750R, 1%, Full Reel	MC0.1W08051%750RFR
Resistor, 0805, 787R, 1%, Full Reel	MC0.1W08051%787RFR
Resistor, 0805, 820R, 1%, Full Reel	MC0.1W08051%820RFR
Resistor, 0805, 825R, 1%, Full Reel	MC0.1W08051%825RFR
Resistor, 0805, 866R, 1%, Full Reel	MC0.1W08051%866RFR
Resistor, 0805, 909R, 1%, Full Reel	MC0.1W08051%909RFR
Resistor, 0805, 910R, 1%, Full Reel	MC0.1W08051%910RFR
Resistor, 0805, 953R, 1%, Full Reel	MC0.1W08051%953RFR
Resistor, 0805, 1K00, 1%, Full Reel	MC0.1W08051%1KFR

0805

Thick Film Chip Resistor



Description	Part Number
Resistor, 0805, 1K05, 1%, Full Reel	MC0.1W08051%1K05FR
Resistor, 0805, 1K10, 1%, Full Reel	MC0.1W08051%1K1FR
Resistor, 0805, 1K15, 1%, Full Reel	MC0.1W08051%1K15FR
Resistor, 0805, 1K20, 1%, Full Reel	MC0.1W08051%1K2FR
Resistor, 0805, 1K21, 1%, Full Reel	MC0.1W08051%1K21FR
Resistor, 0805, 1K27, 1%, Full Reel	MC0.1W08051%1K27FR
Resistor, 0805, 1K30, 1%, Full Reel	MC0.1W08051%1K3FR
Resistor, 0805, 1K33, 1%, Full Reel	MC0.1W08051%1K33FR
Resistor, 0805, 1K40, 1%, Full Reel	MC0.1W08051%1K40FR
Resistor, 0805, 1K47, 1%, Full Reel	MC0.1W08051%1K47FR
Resistor, 0805, 1K50, 1%, Full Reel	MC0.1W08051%1K5FR
Resistor, 0805, 1K54, 1%, Full Reel	MC0.1W08051%1K54FR
Resistor, 0805, 1K60, 1%, Full Reel	MC0.1W08051%1K6FR
Resistor, 0805, 1K62, 1%, Full Reel	MC0.1W08051%1K62FR
Resistor, 0805, 1K69, 1%, Full Reel	MC0.1W08051%1K69FR
Resistor, 0805, 1K78, 1%, Full Reel	MC0.1W08051%1K78FR
Resistor, 0805, 1K80, 1%, Full Reel	MC0.1W08051%1K8FR
Resistor, 0805, 1K87, 1%, Full Reel	MC0.1W08051%1K87FR
Resistor, 0805, 1K96, 1%, Full Reel	MC0.1W08051%1K96FR
Resistor, 0805, 2K00, 1%, Full Reel	MC0.1W08051%2KFR
Resistor, 0805, 2K05, 1%, Full Reel	MC0.1W08051%2K05FR
Resistor, 0805, 2K15, 1%, Full Reel	MC0.1W08051%2K15FR
Resistor, 0805, 2K20, 1%, Full Reel	MC0.1W08051%2K2FR
Resistor, 0805, 2K26, 1%, Full Reel	MC0.1W08051%2K26FR
Resistor, 0805, 2K37, 1%, Full Reel	MC0.1W08051%2K37FR
Resistor, 0805, 2K40, 1%, Full Reel	MC0.1W08051%2K4FR
Resistor, 0805, 2K49, 1%, Full Reel	MC0.1W08051%2K49FR
Resistor, 0805, 2K61, 1%, Full Reel	MC0.1W08051%2K61FR
Resistor, 0805, 2K70, 1%, Full Reel	MC0.1W08051%2K7FR
Resistor, 0805, 2K74, 1%, Full Reel	MC0.1W08051%2K74FR
Resistor, 0805, 2K87, 1%, Full Reel	MC0.1W08051%2K87FR
Resistor, 0805, 3K00, 1%, Full Reel	MC0.1W08051%3KFR
Resistor, 0805, 3K01, 1%, Full Reel	MC0.1W08051%3K01FR
Resistor, 0805, 3K16, 1%, Full Reel	MC0.1W08051%3K16FR
Resistor, 0805, 3K30, 1%, Full Reel	MC0.1W08051%3K3FR
Resistor, 0805, 3K32, 1%, Full Reel	MC0.1W08051%3K32FR
Resistor, 0805, 3K48, 1%, Full Reel	MC0.1W08051%3K48FR

0805

Thick Film Chip Resistor



Description	Part Number
Resistor, 0805, 3K60, 1%, Full Reel	MC0.1W08051%3K6FR
Resistor, 0805, 3K65, 1%, Full Reel	MC0.1W08051%3K65FR
Resistor, 0805, 3K83, 1%, Full Reel	MC0.1W08051%3K83FR
Resistor, 0805, 3K90, 1%, Full Reel	MC0.1W08051%3K9FR
Resistor, 0805, 4K02, 1%, Full Reel	MC0.1W08051%4K02FR
Resistor, 0805, 4K22, 1%, Full Reel	MC0.1W08051%4K22FR
Resistor, 0805, 4K30, 1%, Full Reel	MC0.1W08051%4K3FR
Resistor, 0805, 4K42, 1%, Full Reel	MC0.1W08051%4K42FR
Resistor, 0805, 4K64, 1%, Full Reel	MC0.1W08051%4K64FR
Resistor, 0805, 4K70, 1%, Full Reel	MC0.1W08051%4K7FR
Resistor, 0805, 4K75, 1%, Full Reel	MC0.1W08051%4K75FR
Resistor, 0805, 4K87, 1%, Full Reel	MC0.1W08051%4K87FR
Resistor, 0805, 4K99, 1%, Full Reel	MC0.1W08051%4K99FR
Resistor, 0805, 5K10, 1%, Full Reel	MC0.1W08051%5K1FR
Resistor, 0805, 5K11, 1%, Full Reel	MC0.1W08051%5K11FR
Resistor, 0805, 5K36, 1%, Full Reel	MC0.1W08051%5K36FR
Resistor, 0805, 5K60, 1%, Full Reel	MC0.1W08051%5K6FR
Resistor, 0805, 5K62, 1%, Full Reel	MC0.1W08051%5K62FR
Resistor, 0805, 5K90, 1%, Full Reel	MC0.1W08051%5K90FR
Resistor, 0805, 6K04, 1%, Full Reel	MC0.1W08051%6K04FR
Resistor, 0805, 6K19, 1%, Full Reel	MC0.1W08051%6K19FR
Resistor, 0805, 6K20, 1%, Full Reel	MC0.1W08051%6K2FR
Resistor, 0805, 6K49, 1%, Full Reel	MC0.1W08051%6K49FR
Resistor, 0805, 6K80, 1%, Full Reel	MC0.1W08051%6K8FR
Resistor, 0805, 6K81, 1%, Full Reel	MC0.1W08051%6K81FR
Resistor, 0805, 7K15, 1%, Full Reel	MC0.1W08051%7K15FR
Resistor, 0805, 7K50, 1%, Full Reel	MC0.1W08051%7K5FR
Resistor, 0805, 7K87, 1%, Full Reel	MC0.1W08051%7K87FR
Resistor, 0805, 8K20, 1%, Full Reel	MC0.1W08051%8K2FR
Resistor, 0805, 8K25, 1%, Full Reel	MC0.1W08051%8K25FR
Resistor, 0805, 8K66, 1%, Full Reel	MC0.1W08051%8K66FR
Resistor, 0805, 9K09, 1%, Full Reel	MC0.1W08051%9K09FR
Resistor, 0805, 9K10, 1%, Full Reel	MC0.1W08051%9K1FR
Resistor, 0805, 9K53, 1%, Full Reel	MC0.1W08051%9K53FR
Resistor, 0805, 10K0, 1%, Full Reel	MC0.1W08051%10KFR
Resistor, 0805, 10K5, 1%, Full Reel	MC0.1W08051%10K5FR
Resistor, 0805, 11K0, 1%, Full Reel	MC0.1W08051%11KFR

0805

Thick Film Chip Resistor



Description	Part Number
Resistor, 0805, 11K5, 1%, Full Reel	MC0.1W08051%11K5FR
Resistor, 0805, 12K0, 1%, Full Reel	MC0.1W08051%12KFR
Resistor, 0805, 12K1, 1%, Full Reel	MC0.1W08051%12K1FR
Resistor, 0805, 12K4, 1%, Full Reel	MC0.1W08051%12K4FR
Resistor, 0805, 12K7, 1%, Full Reel	MC0.1W08051%12K7FR
Resistor, 0805, 13K0, 1%, Full Reel	MC0.1W08051%13KFR
Resistor, 0805, 13K3, 1%, Full Reel	MC0.1W08051%13K3FR
Resistor, 0805, 14K0, 1%, Full Reel	MC0.1W08051%14K0FR
Resistor, 0805, 14K7, 1%, Full Reel	MC0.1W08051%14K7FR
Resistor, 0805, 15K0, 1%, Full Reel	MC0.1W08051%15KFR
Resistor, 0805, 15K4, 1%, Full Reel	MC0.1W08051%15K4FR
Resistor, 0805, 16K0, 1%, Full Reel	MC0.1W08051%16KFR
Resistor, 0805, 16K2, 1%, Full Reel	MC0.1W08051%16K2FR
Resistor, 0805, 16K9, 1%, Full Reel	MC0.1W08051%16K9FR
Resistor, 0805, 17K8, 1%, Full Reel	MC0.1W08051%17K8FR
Resistor, 0805, 18K0, 1%, Full Reel	MC0.1W08051%18KFR
Resistor, 0805, 18K7, 1%, Full Reel	MC0.1W08051%18K7FR
Resistor, 0805, 19K6, 1%, Full Reel	MC0.1W08051%19K6FR
Resistor, 0805, 20K0, 1%, Full Reel	MC0.1W08051%20KFR
Resistor, 0805, 20K5, 1%, Full Reel	MC0.1W08051%20K5FR
Resistor, 0805, 21K5, 1%, Full Reel	MC0.1W08051%21K5FR
Resistor, 0805, 22K0, 1%, Full Reel	MC0.1W08051%22KFR
Resistor, 0805, 22K6, 1%, Full Reel	MC0.1W08051%22K6FR
Resistor, 0805, 23K7, 1%, Full Reel	MC0.1W08051%23K7FR
Resistor, 0805, 24K0, 1%, Full Reel	MC0.1W08051%24KFR
Resistor, 0805, 24K9, 1%, Full Reel	MC0.1W08051%24K9FR
Resistor, 0805, 26K1, 1%, Full Reel	MC0.1W08051%26K1FR
Resistor, 0805, 27K0, 1%, Full Reel	MC0.1W08051%27KFR
Resistor, 0805, 27K4, 1%, Full Reel	MC0.1W08051%27K4FR
Resistor, 0805, 28K7, 1%, Full Reel	MC0.1W08051%28K7FR
Resistor, 0805, 30K0, 1%, Full Reel	MC0.1W08051%30KFR
Resistor, 0805, 30K1, 1%, Full Reel	MC0.1W08051%30K1FR
Resistor, 0805, 31K6, 1%, Full Reel	MC0.1W08051%31K6FR
Resistor, 0805, 33K0, 1%, Full Reel	MC0.1W08051%33KFR
Resistor, 0805, 33K2, 1%, Full Reel	MC0.1W08051%33K2FR
Resistor, 0805, 34K8, 1%, Full Reel	MC0.1W08051%34K8FR
Resistor, 0805, 36K0, 1%, Full Reel	MC0.1W08051%36KFR

0805

Thick Film Chip Resistor



Description	Part Number
Resistor, 0805, 36K5, 1%, Full Reel	MC0.1W08051%36K5FR
Resistor, 0805, 38K3, 1%, Full Reel	MC0.1W08051%38K3FR
Resistor, 0805, 39K0, 1%, Full Reel	MC0.1W08051%39KFR
Resistor, 0805, 40K2, 1%, Full Reel	MC0.1W08051%40K2FR
Resistor, 0805, 42K2, 1%, Full Reel	MC0.1W08051%42K2FR
Resistor, 0805, 43K0, 1%, Full Reel	MC0.1W08051%43KFR
Resistor, 0805, 44K2, 1%, Full Reel	MC0.1W08051%44K2FR
Resistor, 0805, 46K4, 1%, Full Reel	MC0.1W08051%46K4FR
Resistor, 0805, 47K0, 1%, Full Reel	MC0.1W08051%47KFR
Resistor, 0805, 47K5, 1%, Full Reel	MC0.1W08051%47K5FR
Resistor, 0805, 48K7, 1%, Full Reel	MC0.1W08051%48K7FR
Resistor, 0805, 49K9, 1%, Full Reel	MC0.1W08051%49K9FR
Resistor, 0805, 51K0, 1%, Full Reel	MC0.1W08051%51KFR
Resistor, 0805, 51K1, 1%, Full Reel	MC0.1W08051%51K1FR
Resistor, 0805, 53K6, 1%, Full Reel	MC0.1W08051%53K6FR
Resistor, 0805, 56K0, 1%, Full Reel	MC0.1W08051%56KFR
Resistor, 0805, 56K2, 1%, Full Reel	MC0.1W08051%56K2FR
Resistor, 0805, 59K0, 1%, Full Reel	MC0.1W08051%59K0FR
Resistor, 0805, 61K9, 1%, Full Reel	MC0.1W08051%61K9FR
Resistor, 0805, 62K0, 1%, Full Reel	MC0.1W08051%62KFR
Resistor, 0805, 64K9, 1%, Full Reel	MC0.1W08051%64K9FR
Resistor, 0805, 68K0, 1%, Full Reel	MC0.1W08051%68KFR
Resistor, 0805, 68K1, 1%, Full Reel	MC0.1W08051%68K1FR
Resistor, 0805, 71K5, 1%, Full Reel	MC0.1W08051%71K5FR
Resistor, 0805, 75K0, 1%, Full Reel	MC0.1W08051%75KFR
Resistor, 0805, 78K7, 1%, Full Reel	MC0.1W08051%78K7FR
Resistor, 0805, 82K0, 1%, Full Reel	MC0.1W08051%82KFR
Resistor, 0805, 82K5, 1%, Full Reel	MC0.1W08051%82K5FR
Resistor, 0805, 86K6, 1%, Full Reel	MC0.1W08051%86K6FR
Resistor, 0805, 90K9, 1%, Full Reel	MC0.1W08051%90K9FR
Resistor, 0805, 91K0, 1%, Full Reel	MC0.1W08051%91KFR
Resistor, 0805, 95K3, 1%, Full Reel	MC0.1W08051%95K3FR
Resistor, 0805, 100K, 1%, Full Reel	MC0.1W08051%100KFR
Resistor, 0805, 105K, 1%, Full Reel	MC0.1W08051%105KFR
Resistor, 0805, 110K, 1%, Full Reel	MC0.1W08051%110KFR
Resistor, 0805, 115K, 1%, Full Reel	MC0.1W08051%115KFR
Resistor, 0805, 120K, 1%, Full Reel	MC0.1W08051%120KFR

0805

Thick Film Chip Resistor



Description	Part Number
Resistor, 0805, 121K, 1%, Full Reel	MC0.1W08051%121KFR
Resistor, 0805, 127K, 1%, Full Reel	MC0.1W08051%127KFR
Resistor, 0805, 130K, 1%, Full Reel	MC0.1W08051%130KFR
Resistor, 0805, 133K, 1%, Full Reel	MC0.1W08051%133KFR
Resistor, 0805, 140K, 1%, Full Reel	MC0.1W08051%140KFR
Resistor, 0805, 147K, 1%, Full Reel	MC0.1W08051%147KFR
Resistor, 0805, 150K, 1%, Full Reel	MC0.1W08051%150KFR
Resistor, 0805, 154K, 1%, Full Reel	MC0.1W08051%154KFR
Resistor, 0805, 160K, 1%, Full Reel	MC0.1W08051%160KFR
Resistor, 0805, 162K, 1%, Full Reel	MC0.1W08051%162KFR
Resistor, 0805, 169K, 1%, Full Reel	MC0.1W08051%169KFR
Resistor, 0805, 178K, 1%, Full Reel	MC0.1W08051%178KFR
Resistor, 0805, 180K, 1%, Full Reel	MC0.1W08051%180KFR
Resistor, 0805, 187K, 1%, Full Reel	MC0.1W08051%187KFR
Resistor, 0805, 196K, 1%, Full Reel	MC0.1W08051%196KFR
Resistor, 0805, 200K, 1%, Full Reel	MC0.1W08051%200KFR
Resistor, 0805, 205K, 1%, Full Reel	MC0.1W08051%205KFR
Resistor, 0805, 215K, 1%, Full Reel	MC0.1W08051%215KFR
Resistor, 0805, 220K, 1%, Full Reel	MC0.1W08051%220KFR
Resistor, 0805, 226K, 1%, Full Reel	MC0.1W08051%226KFR
Resistor, 0805, 237K, 1%, Full Reel	MC0.1W08051%237KFR
Resistor, 0805, 240K, 1%, Full Reel	MC0.1W08051%240KFR
Resistor, 0805, 249K, 1%, Full Reel	MC0.1W08051%249KFR
Resistor, 0805, 261K, 1%, Full Reel	MC0.1W08051%261KFR
Resistor, 0805, 270K, 1%, Full Reel	MC0.1W08051%270KFR
Resistor, 0805, 274K, 1%, Full Reel	MC0.1W08051%274KFR
Resistor, 0805, 287K, 1%, Full Reel	MC0.1W08051%287KFR
Resistor, 0805, 300K, 1%, Full Reel	MC0.1W08051%300KFR
Resistor, 0805, 301K, 1%, Full Reel	MC0.1W08051%301KFR
Resistor, 0805, 316K, 1%, Full Reel	MC0.1W08051%316KFR
Resistor, 0805, 330K, 1%, Full Reel	MC0.1W08051%330KFR
Resistor, 0805, 332K, 1%, Full Reel	MC0.1W08051%332KFR
Resistor, 0805, 348K, 1%, Full Reel	MC0.1W08051%348KFR
Resistor, 0805, 360K, 1%, Full Reel	MC0.1W08051%360KFR
Resistor, 0805, 365K, 1%, Full Reel	MC0.1W08051%365KFR
Resistor, 0805, 383K, 1%, Full Reel	MC0.1W08051%383KFR
Resistor, 0805, 390K, 1%, Full Reel	MC0.1W08051%390KFR

0805

Thick Film Chip Resistor



Description	Part Number
Resistor, 0805, 402K, 1%, Full Reel	MC0.1W08051%402KFR
Resistor, 0805, 422K, 1%, Full Reel	MC0.1W08051%422KFR
Resistor, 0805, 430K, 1%, Full Reel	MC0.1W08051%430KFR
Resistor, 0805, 442K, 1%, Full Reel	MC0.1W08051%442KFR
Resistor, 0805, 464K, 1%, Full Reel	MC0.1W08051%464KFR
Resistor, 0805, 470K, 1%, Full Reel	MC0.1W08051%470KFR
Resistor, 0805, 487K, 1%, Full Reel	MC0.1W08051%487KFR
Resistor, 0805, 499K, 1%, Full Reel	MC0.1W08051%499KFR
Resistor, 0805, 510K, 1%, Full Reel	MC0.1W08051%510KFR
Resistor, 0805, 511K, 1%, Full Reel	MC0.1W08051%511KFR
Resistor, 0805, 536K, 1%, Full Reel	MC0.1W08051%536KFR
Resistor, 0805, 560K, 1%, Full Reel	MC0.1W08051%560KFR
Resistor, 0805, 562K, 1%, Full Reel	MC0.1W08051%562KFR
Resistor, 0805, 590K, 1%, Full Reel	MC0.1W08051%590KFR
Resistor, 0805, 619K, 1%, Full Reel	MC0.1W08051%619KFR
Resistor, 0805, 620K, 1%, Full Reel	MC0.1W08051%620KFR
Resistor, 0805, 649K, 1%, Full Reel	MC0.1W08051%649KFR
Resistor, 0805, 680K, 1%, Full Reel	MC0.1W08051%680KFR
Resistor, 0805, 681K, 1%, Full Reel	MC0.1W08051%681KFR
Resistor, 0805, 715K, 1%, Full Reel	MC0.1W08051%715KFR
Resistor, 0805, 750K, 1%, Full Reel	MC0.1W08051%750KFR
Resistor, 0805, 787K, 1%, Full Reel	MC0.1W08051%787KFR
Resistor, 0805, 820K, 1%, Full Reel	MC0.1W08051%820KFR
Resistor, 0805, 825K, 1%, Full Reel	MC0.1W08051%825KFR
Resistor, 0805, 866K, 1%, Full Reel	MC0.1W08051%866KFR
Resistor, 0805, 909K, 1%, Full Reel	MC0.1W08051%909KFR
Resistor, 0805, 910K, 1%, Full Reel	MC0.1W08051%910KFR
Resistor, 0805, 953K, 1%, Full Reel	MC0.1W08051%953KFR
Resistor, 0805, 1M00, 1%, Full Reel	MC0.1W08051%1MFR
Resistor, 0805, 1M05, 1%, Full Reel	MC0.1W08051%1M05FR
Resistor, 0805, 1M10, 1%, Full Reel	MC0.1W08051%1M10FR
Resistor, 0805, 1M15, 1%, Full Reel	MC0.1W08051%1M15FR
Resistor, 0805, 1M20, 1%, Full Reel	MC0.1W08051%1M20FR
Resistor, 0805, 1M21, 1%, Full Reel	MC0.1W08051%1M21FR
Resistor, 0805, 1M30, 1%, Full Reel	MC0.1W08051%1M30FR
Resistor, 0805, 1M33, 1%, Full Reel	MC0.1W08051%1M33FR
Resistor, 0805, 1M40, 1%, Full Reel	MC0.1W08051%1M40FR

0805

Thick Film Chip Resistor



Description	Part Number
Resistor, 0805, 1M47, 1%, Full Reel	MC0.1W08051%1M47FR
Resistor, 0805, 1M50, 1%, Full Reel	MC0.1W08051%1M50FR
Resistor, 0805, 1M60, 1%, Full Reel	MC0.1W08051%1M60FR
Resistor, 0805, 1M62, 1%, Full Reel	MC0.1W08051%1M62FR
Resistor, 0805, 1M69, 1%, Full Reel	MC0.1W08051%1M69FR
Resistor, 0805, 1M78, 1%, Full Reel	MC0.1W08051%1M78FR
Resistor, 0805, 1M80, 1%, Full Reel	MC0.1W08051%1M80FR
Resistor, 0805, 1M87, 1%, Full Reel	MC0.1W08051%1M87FR
Resistor, 0805, 1M96, 1%, Full Reel	MC0.1W08051%1M96FR
Resistor, 0805, 2M00, 1%, Full Reel	MC0.1W08051%2M00FR
Resistor, 0805, 2M05, 1%, Full Reel	MC0.1W08051%2M05FR
Resistor, 0805, 2M20, 1%, Full Reel	MC0.1W08051%2M20FR
Resistor, 0805, 2M37, 1%, Full Reel	MC0.1W08051%2M37FR
Resistor, 0805, 2M40, 1%, Full Reel	MC0.1W08051%2M40FR
Resistor, 0805, 2M49, 1%, Full Reel	MC0.1W08051%2M49FR
Resistor, 0805, 2M61, 1%, Full Reel	MC0.1W08051%2M61FR
Resistor, 0805, 2M70, 1%, Full Reel	MC0.1W08051%2M70FR
Resistor, 0805, 2M74, 1%, Full Reel	MC0.1W08051%2M74FR
Resistor, 0805, 3M00, 1%, Full Reel	MC0.1W08051%3M00FR
Resistor, 0805, 3M01, 1%, Full Reel	MC0.1W08051%3M01FR
Resistor, 0805, 3M16, 1%, Full Reel	MC0.1W08051%3M16FR
Resistor, 0805, 3M30, 1%, Full Reel	MC0.1W08051%3M30FR
Resistor, 0805, 3M32, 1%, Full Reel	MC0.1W08051%3M32FR
Resistor, 0805, 3M48, 1%, Full Reel	MC0.1W08051%3M48FR
Resistor, 0805, 3M60, 1%, Full Reel	MC0.1W08051%3M60FR
Resistor, 0805, 3M65, 1%, Full Reel	MC0.1W08051%3M65FR
Resistor, 0805, 3M83, 1%, Full Reel	MC0.1W08051%3M83FR
Resistor, 0805, 3M90, 1%, Full Reel	MC0.1W08051%3M90FR
Resistor, 0805, 4M02, 1%, Full Reel	MC0.1W08051%4M02FR
Resistor, 0805, 4M30, 1%, Full Reel	MC0.1W08051%4M30FR
Resistor, 0805, 4M42, 1%, Full Reel	MC0.1W08051%4M42FR
Resistor, 0805, 4M64, 1%, Full Reel	MC0.1W08051%4M64FR
Resistor, 0805, 4M70, 1%, Full Reel	MC0.1W08051%4M70FR
Resistor, 0805, 5M10, 1%, Full Reel	MC0.1W08051%5M10FR
Resistor, 0805, 5M11, 1%, Full Reel	MC0.1W08051%5M11FR
Resistor, 0805, 5M60, 1%, Full Reel	MC0.1W08051%5M60FR
Resistor, 0805, 5M90, 1%, Full Reel	MC0.1W08051%5M90FR



0805

Thick Film Chip Resistor



Description	Part Number
Resistor, 0805, 6M20, 1%, Full Reel	MC0.1W08051%6M20FR
Resistor, 0805, 6M49, 1%, Full Reel	MC0.1W08051%6M49FR
Resistor, 0805, 6M80, 1%, Full Reel	MC0.1W08051%6M80FR
Resistor, 0805, 6M81, 1%, Full Reel	MC0.1W08051%6M81FR
Resistor, 0805, 7M50, 1%, Full Reel	MC0.1W08051%7M50FR
Resistor, 0805, 8M20, 1%, Full Reel	MC0.1W08051%8M20FR
Resistor, 0805, 9M09, 1%, Full Reel	MC0.1W08051%9M09FR
Resistor, 0805, 9M10, 1%, Full Reel	MC0.1W08051%9M10FR
Resistor, 0805, 10M0, 1%, Full Reel	MC0.1W08051%10M0FR
Resistor, 0805, 1R0, 1%	MC0.1W08051%1R0
Resistor, 0805, 1R10, 1%	MC0.1W08051%1R10
Resistor, 0805, 1R15, 1%	MC0.1W08051%1R15
Resistor, 0805, 1R20, 1%	MC0.1W08051%1R20
Resistor, 0805, 1R21, 1%	MC0.1W08051%1R21
Resistor, 0805, 1R27, 1%	MC0.1W08051%1R27
Resistor, 0805, 1R30, 1%	MC0.1W08051%1R30
Resistor, 0805, 1R33, 1%	MC0.1W08051%1R33
Resistor, 0805, 1R40, 1%	MC0.1W08051%1R40
Resistor, 0805, 1R60, 1%	MC0.1W08051%1R60
Resistor, 0805, 1R62, 1%	MC0.1W08051%1R62
Resistor, 0805, 1R69, 1%	MC0.1W08051%1R69
Resistor, 0805, 1R80, 1%	MC0.1W08051%1R80
Resistor, 0805, 1R87, 1%	MC0.1W08051%1R87
Resistor, 0805, 1R96, 1%	MC0.1W08051%1R96
Resistor, 0805, 2R0, 1%	MC0.1W08051%2R0
Resistor, 0805, 2R15, 1%	MC0.1W08051%2R15
Resistor, 0805, 2R26, 1%	MC0.1W08051%2R26
Resistor, 0805, 2R37, 1%	MC0.1W08051%2R37
Resistor, 0805, 2R40, 1%	MC0.1W08051%2R40
Resistor, 0805, 2R49, 1%	MC0.1W08051%2R49
Resistor, 0805, 2R61, 1%	MC0.1W08051%2R61
Resistor, 0805, 2R70, 1%	MC0.1W08051%2R70
Resistor, 0805, 2R74, 1%	MC0.1W08051%2R74
Resistor, 0805, 2R87, 1%	MC0.1W08051%2R87
Resistor, 0805, 3R0, 1%	MC0.1W08051%3R0
Resistor, 0805, 3R16, 1%	MC0.1W08051%3R16
Resistor, 0805, 3R32, 1%	MC0.1W08051%3R32

0805

Thick Film Chip Resistor



Description	Part Number
Resistor, 0805, 3R48, 1%	MC0.1W08051%3R48
Resistor, 0805, 3R60, 1%	MC0.1W08051%3R60
Resistor, 0805, 3R65, 1%	MC0.1W08051%3R65
Resistor, 0805, 3R83, 1%	MC0.1W08051%3R83
Resistor, 0805, 3R90, 1%	MC0.1W08051%3R90
Resistor, 0805, 4R22, 1%	MC0.1W08051%4R22
Resistor, 0805, 4R30, 1%	MC0.1W08051%4R30
Resistor, 0805, 4R42, 1%	MC0.1W08051%4R42
Resistor, 0805, 4R64, 1%	MC0.1W08051%4R64
Resistor, 0805, 4R87, 1%	MC0.1W08051%4R87
Resistor, 0805, 5R10, 1%	MC0.1W08051%5R10
Resistor, 0805, 5R11, 1%	MC0.1W08051%5R11
Resistor, 0805, 5R36, 1%	MC0.1W08051%5R36
Resistor, 0805, 5R60, 1%	MC0.1W08051%5R60
Resistor, 0805, 5R62, 1%	MC0.1W08051%5R62
Resistor, 0805, 5R90, 1%	MC0.1W08051%5R90
Resistor, 0805, 6R19, 1%	MC0.1W08051%6R19
Resistor, 0805, 6R20, 1%	MC0.1W08051%6R20
Resistor, 0805, 6R49, 1%	MC0.1W08051%6R49
Resistor, 0805, 6R81, 1%	MC0.1W08051%6R81
Resistor, 0805, 7R15, 1%	MC0.1W08051%7R15
Resistor, 0805, 7R50, 1%	MC0.1W08051%7R50
Resistor, 0805, 7R87, 1%	MC0.1W08051%7R87
Resistor, 0805, 8R20, 1%	MC0.1W08051%8R20
Resistor, 0805, 8R25, 1%	MC0.1W08051%8R25
Resistor, 0805, 8R66, 1%	MC0.1W08051%8R66
Resistor, 0805, 9R10, 1%	MC0.1W08051%9R10
Resistor, 0805, 9R53, 1%	MC0.1W08051%9R53
Resistor, 0805, 10R5, 1%	MC0.1W08051%10R5
Resistor, 0805, 11R5, 1%	MC0.1W08051%11R5
Resistor, 0805, 12R1, 1%	MC0.1W08051%12R1
Resistor, 0805, 12R7, 1%	MC0.1W08051%12R7
Resistor, 0805, 13R3, 1%	MC0.1W08051%13R3
Resistor, 0805, 14R0, 1%	MC0.1W08051%14R0
Resistor, 0805, 14R7, 1%	MC0.1W08051%14R7
Resistor, 0805, 15R4, 1%	MC0.1W08051%15R4
Resistor, 0805, 16R2, 1%	MC0.1W08051%16R2

0805

Thick Film Chip Resistor



Description	Part Number
Resistor, 0805, 16R9, 1%	MC0.1W08051%16R9
Resistor, 0805, 17R8, 1%	MC0.1W08051%17R8
Resistor, 0805, 18R7, 1%	MC0.1W08051%18R7
Resistor, 0805, 19R6, 1%	MC0.1W08051%19R6
Resistor, 0805, 20R5, 1%	MC0.1W08051%20R5
Resistor, 0805, 21R5, 1%	MC0.1W08051%21R5
Resistor, 0805, 22R6, 1%	MC0.1W08051%22R6
Resistor, 0805, 23R7, 1%	MC0.1W08051%23R7
Resistor, 0805, 24R9, 1%	MC0.1W08051%24R9
Resistor, 0805, 26R1, 1%	MC0.1W08051%26R1
Resistor, 0805, 27R4, 1%	MC0.1W08051%27R4
Resistor, 0805, 28R7, 1%	MC0.1W08051%28R7
Resistor, 0805, 30R1, 1%	MC0.1W08051%30R1
Resistor, 0805, 31R6, 1%	MC0.1W08051%31R6
Resistor, 0805, 33R2, 1%	MC0.1W08051%33R2
Resistor, 0805, 34R8, 1%	MC0.1W08051%34R8
Resistor, 0805, 36R5, 1%	MC0.1W08051%36R5
Resistor, 0805, 38R3, 1%	MC0.1W08051%38R3
Resistor, 0805, 40R2, 1%	MC0.1W08051%40R2
Resistor, 0805, 42R2, 1%	MC0.1W08051%42R2
Resistor, 0805, 44R2, 1%	MC0.1W08051%44R2
Resistor, 0805, 46R4, 1%	MC0.1W08051%46R4
Resistor, 0805, 48R7, 1%	MC0.1W08051%48R7
Resistor, 0805, 49R9, 1%	MC0.1W08051%49R9
Resistor, 0805, 51R1, 1%	MC0.1W08051%51R1
Resistor, 0805, 53R6, 1%	MC0.1W08051%53R6
Resistor, 0805, 56R2, 1%	MC0.1W08051%56R2
Resistor, 0805, 59R0, 1%	MC0.1W08051%59R0
Resistor, 0805, 61R9, 1%	MC0.1W08051%61R9
Resistor, 0805, 64R9, 1%	MC0.1W08051%64R9
Resistor, 0805, 68R1, 1%	MC0.1W08051%68R1
Resistor, 0805, 71R5, 1%	MC0.1W08051%71R5
Resistor, 0805, 78R7, 1%	MC0.1W08051%78R7
Resistor, 0805, 82R5, 1%	MC0.1W08051%82R5
Resistor, 0805, 86R6, 1%	MC0.1W08051%86R6
Resistor, 0805, 90R9, 1%	MC0.1W08051%90R9
Resistor, 0805, 95R3, 1%	MC0.1W08051%95R3

0805

Thick Film Chip Resistor



Description	Part Number
Resistor, 0805, 105R, 1%	MC0.1W08051%105R
Resistor, 0805, 115R, 1%	MC0.1W08051%115R
Resistor, 0805, 121R, 1%	MC0.1W08051%121R
Resistor, 0805, 127R, 1%	MC0.1W08051%127R
Resistor, 0805, 133R, 1%	MC0.1W08051%133R
Resistor, 0805, 140R, 1%	MC0.1W08051%140R
Resistor, 0805, 147R, 1%	MC0.1W08051%147R
Resistor, 0805, 154R, 1%	MC0.1W08051%154R
Resistor, 0805, 162R, 1%	MC0.1W08051%162R
Resistor, 0805, 169R, 1%	MC0.1W08051%169R
Resistor, 0805, 178R, 1%	MC0.1W08051%178R
Resistor, 0805, 187R, 1%	MC0.1W08051%187R
Resistor, 0805, 196R, 1%	MC0.1W08051%196R
Resistor, 0805, 205R, 1%	MC0.1W08051%205R
Resistor, 0805, 215R, 1%	MC0.1W08051%215R
Resistor, 0805, 226R, 1%	MC0.1W08051%226R
Resistor, 0805, 237R, 1%	MC0.1W08051%237R
Resistor, 0805, 249R, 1%	MC0.1W08051%249R
Resistor, 0805, 261R, 1%	MC0.1W08051%261R
Resistor, 0805, 274R, 1%	MC0.1W08051%274R
Resistor, 0805, 287R, 1%	MC0.1W08051%287R
Resistor, 0805, 301R, 1%	MC0.1W08051%301R
Resistor, 0805, 316R, 1%	MC0.1W08051%316R
Resistor, 0805, 332R, 1%	MC0.1W08051%332R
Resistor, 0805, 348R, 1%	MC0.1W08051%348R
Resistor, 0805, 365R, 1%	MC0.1W08051%365R
Resistor, 0805, 383R, 1%	MC0.1W08051%383R
Resistor, 0805, 402R, 1%	MC0.1W08051%402R
Resistor, 0805, 422R, 1%	MC0.1W08051%422R
Resistor, 0805, 442R, 1%	MC0.1W08051%442R
Resistor, 0805, 464R, 1%	MC0.1W08051%464R
Resistor, 0805, 487R, 1%	MC0.1W08051%487R
Resistor, 0805, 511R, 1%	MC0.1W08051%511R
Resistor, 0805, 536R, 1%	MC0.1W08051%536R
Resistor, 0805, 562R, 1%	MC0.1W08051%562R
Resistor, 0805, 590R, 1%	MC0.1W08051%590R
Resistor, 0805, 619R, 1%	MC0.1W08051%619R

0805

Thick Film Chip Resistor



Description	Part Number
Resistor, 0805, 649R, 1%	MC0.1W08051%649R
Resistor, 0805, 681R, 1%	MC0.1W08051%681R
Resistor, 0805, 715R, 1%	MC0.1W08051%715R
Resistor, 0805, 787R, 1%	MC0.1W08051%787R
Resistor, 0805, 825R, 1%	MC0.1W08051%825R
Resistor, 0805, 866R, 1%	MC0.1W08051%866R
Resistor, 0805, 909R, 1%	MC0.1W08051%909R
Resistor, 0805, 953R, 1%	MC0.1W08051%953R
Resistor, 0805, 1K05, 1%	MC0.1W08051%1K05
Resistor, 0805, 1K15, 1%	MC0.1W08051%1K15
Resistor, 0805, 1K21, 1%	MC0.1W08051%1K21
Resistor, 0805, 1K27, 1%	MC0.1W08051%1K27
Resistor, 0805, 1K33, 1%	MC0.1W08051%1K33
Resistor, 0805, 1K40, 1%	MC0.1W08051%1K40
Resistor, 0805, 1K47, 1%	MC0.1W08051%1K47
Resistor, 0805, 1K54, 1%	MC0.1W08051%1K54
Resistor, 0805, 1K62, 1%	MC0.1W08051%1K62
Resistor, 0805, 1K69, 1%	MC0.1W08051%1K69
Resistor, 0805, 1K78, 1%	MC0.1W08051%1K78
Resistor, 0805, 1K87, 1%	MC0.1W08051%1K87
Resistor, 0805, 1K96, 1%	MC0.1W08051%1K96
Resistor, 0805, 2K05, 1%	MC0.1W08051%2K05
Resistor, 0805, 2K15, 1%	MC0.1W08051%2K15
Resistor, 0805, 2K26, 1%	MC0.1W08051%2K26
Resistor, 0805, 2K37, 1%	MC0.1W08051%2K37
Resistor, 0805, 2K49, 1%	MC0.1W08051%2K49
Resistor, 0805, 2K61, 1%	MC0.1W08051%2K61
Resistor, 0805, 2K74, 1%	MC0.1W08051%2K74
Resistor, 0805, 2K87, 1%	MC0.1W08051%2K87
Resistor, 0805, 3K01, 1%	MC0.1W08051%3K01
Resistor, 0805, 3K16, 1%	MC0.1W08051%3K16
Resistor, 0805, 3K32, 1%	MC0.1W08051%3K32
Resistor, 0805, 3K48, 1%	MC0.1W08051%3K48
Resistor, 0805, 3K65, 1%	MC0.1W08051%3K65
Resistor, 0805, 3K83, 1%	MC0.1W08051%3K83
Resistor, 0805, 4K02, 1%	MC0.1W08051%4K02
Resistor, 0805, 4K22, 1%	MC0.1W08051%4K22

0805

Thick Film Chip Resistor



Description	Part Number
Resistor, 0805, 4K42, 1%	MC0.1W08051%4K42
Resistor, 0805, 4K64, 1%	MC0.1W08051%4K64
Resistor, 0805, 4K75, 1%	MC0.1W08051%4K75
Resistor, 0805, 4K87, 1%	MC0.1W08051%4K87
Resistor, 0805, 4K99, 1%	MC0.1W08051%4K99
Resistor, 0805, 5K11, 1%	MC0.1W08051%5K11
Resistor, 0805, 5K36, 1%	MC0.1W08051%5K36
Resistor, 0805, 5K62, 1%	MC0.1W08051%5K62
Resistor, 0805, 5K90, 1%	MC0.1W08051%5K90
Resistor, 0805, 6K04, 1%	MC0.1W08051%6K04
Resistor, 0805, 6K19, 1%	MC0.1W08051%6K19
Resistor, 0805, 6K49, 1%	MC0.1W08051%6K49
Resistor, 0805, 6K81, 1%	MC0.1W08051%6K81
Resistor, 0805, 7K15, 1%	MC0.1W08051%7K15
Resistor, 0805, 7K87, 1%	MC0.1W08051%7K87
Resistor, 0805, 8K25, 1%	MC0.1W08051%8K25
Resistor, 0805, 8K66, 1%	MC0.1W08051%8K66
Resistor, 0805, 9K09, 1%	MC0.1W08051%9K09
Resistor, 0805, 9K53, 1%	MC0.1W08051%9K53
Resistor, 0805, 10K5, 1%	MC0.1W08051%10K5
Resistor, 0805, 11K5, 1%	MC0.1W08051%11K5
Resistor, 0805, 12K1, 1%	MC0.1W08051%12K1
Resistor, 0805, 12K4, 1%	MC0.1W08051%12K4
Resistor, 0805, 12K7, 1%	MC0.1W08051%12K7
Resistor, 0805, 13K3, 1%	MC0.1W08051%13K3
Resistor, 0805, 14K0, 1%	MC0.1W08051%14K0
Resistor, 0805, 14K7, 1%	MC0.1W08051%14K7
Resistor, 0805, 15K4, 1%	MC0.1W08051%15K4
Resistor, 0805, 16K2, 1%	MC0.1W08051%16K2
Resistor, 0805, 16K9, 1%	MC0.1W08051%16K9
Resistor, 0805, 17K8, 1%	MC0.1W08051%17K8
Resistor, 0805, 18K7, 1%	MC0.1W08051%18K7
Resistor, 0805, 19K6, 1%	MC0.1W08051%19K6
Resistor, 0805, 20K5, 1%	MC0.1W08051%20K5
Resistor, 0805, 21K5, 1%	MC0.1W08051%21K5
Resistor, 0805, 22K6, 1%	MC0.1W08051%22K6
Resistor, 0805, 23K7, 1%	MC0.1W08051%23K7

0805

Thick Film Chip Resistor



Description	Part Number
Resistor, 0805, 24K9, 1%	MC0.1W08051%24K9
Resistor, 0805, 26K1, 1%	MC0.1W08051%26K1
Resistor, 0805, 27K4, 1%	MC0.1W08051%27K4
Resistor, 0805, 28K7, 1%	MC0.1W08051%28K7
Resistor, 0805, 30K1, 1%	MC0.1W08051%30K1
Resistor, 0805, 31K6, 1%	MC0.1W08051%31K6
Resistor, 0805, 33K2, 1%	MC0.1W08051%33K2
Resistor, 0805, 34K8, 1%	MC0.1W08051%34K8
Resistor, 0805, 36K5, 1%	MC0.1W08051%36K5
Resistor, 0805, 38K3, 1%	MC0.1W08051%38K3
Resistor, 0805, 40K2, 1%	MC0.1W08051%40K2
Resistor, 0805, 42K2, 1%	MC0.1W08051%42K2
Resistor, 0805, 44K2, 1%	MC0.1W08051%44K2
Resistor, 0805, 46K4, 1%	MC0.1W08051%46K4
Resistor, 0805, 47K5, 1%	MC0.1W08051%47K5
Resistor, 0805, 48K7, 1%	MC0.1W08051%48K7
Resistor, 0805, 49K9, 1%	MC0.1W08051%49K9
Resistor, 0805, 51K1, 1%	MC0.1W08051%51K1
Resistor, 0805, 53K6, 1%	MC0.1W08051%53K6
Resistor, 0805, 56K2, 1%	MC0.1W08051%56K2
Resistor, 0805, 59K0, 1%	MC0.1W08051%59K0
Resistor, 0805, 61K9, 1%	MC0.1W08051%61K9
Resistor, 0805, 64K9, 1%	MC0.1W08051%64K9
Resistor, 0805, 68K1, 1%	MC0.1W08051%68K1
Resistor, 0805, 71K5, 1%	MC0.1W08051%71K5
Resistor, 0805, 78K7, 1%	MC0.1W08051%78K7
Resistor, 0805, 82K5, 1%	MC0.1W08051%82K5
Resistor, 0805, 86K6, 1%	MC0.1W08051%86K6
Resistor, 0805, 90K9, 1%	MC0.1W08051%90K9
Resistor, 0805, 95K3, 1%	MC0.1W08051%95K3
Resistor, 0805, 105K, 1%	MC0.1W08051%105K
Resistor, 0805, 115K, 1%	MC0.1W08051%115K
Resistor, 0805, 121K, 1%	MC0.1W08051%121K
Resistor, 0805, 127K, 1%	MC0.1W08051%127K
Resistor, 0805, 133K, 1%	MC0.1W08051%133K
Resistor, 0805, 140K, 1%	MC0.1W08051%140K
Resistor, 0805, 147K, 1%	MC0.1W08051%147K

0805

Thick Film Chip Resistor



Description	Part Number
Resistor, 0805, 154K, 1%	MC0.1W08051%154K
Resistor, 0805, 162K, 1%	MC0.1W08051%162K
Resistor, 0805, 169K, 1%	MC0.1W08051%169K
Resistor, 0805, 178K, 1%	MC0.1W08051%178K
Resistor, 0805, 187K, 1%	MC0.1W08051%187K
Resistor, 0805, 196K, 1%	MC0.1W08051%196K
Resistor, 0805, 205K, 1%	MC0.1W08051%205K
Resistor, 0805, 215K, 1%	MC0.1W08051%215K
Resistor, 0805, 226K, 1%	MC0.1W08051%226K
Resistor, 0805, 237K, 1%	MC0.1W08051%237K
Resistor, 0805, 249K, 1%	MC0.1W08051%249K
Resistor, 0805, 261K, 1%	MC0.1W08051%261K
Resistor, 0805, 274K, 1%	MC0.1W08051%274K
Resistor, 0805, 287K, 1%	MC0.1W08051%287K
Resistor, 0805, 301K, 1%	MC0.1W08051%301K
Resistor, 0805, 316K, 1%	MC0.1W08051%316K
Resistor, 0805, 332K, 1%	MC0.1W08051%332K
Resistor, 0805, 348K, 1%	MC0.1W08051%348K
Resistor, 0805, 365K, 1%	MC0.1W08051%365K
Resistor, 0805, 383K, 1%	MC0.1W08051%383K
Resistor, 0805, 402K, 1%	MC0.1W08051%402K
Resistor, 0805, 422K, 1%	MC0.1W08051%422K
Resistor, 0805, 442K, 1%	MC0.1W08051%442K
Resistor, 0805, 464K, 1%	MC0.1W08051%464K
Resistor, 0805, 487K, 1%	MC0.1W08051%487K
Resistor, 0805, 499K, 1%	MC0.1W08051%499K
Resistor, 0805, 511K, 1%	MC0.1W08051%511K
Resistor, 0805, 536K, 1%	MC0.1W08051%536K
Resistor, 0805, 562K, 1%	MC0.1W08051%562K
Resistor, 0805, 590K, 1%	MC0.1W08051%590K
Resistor, 0805, 619K, 1%	MC0.1W08051%619K
Resistor, 0805, 649K, 1%	MC0.1W08051%649K
Resistor, 0805, 681K, 1%	MC0.1W08051%681K
Resistor, 0805, 715K, 1%	MC0.1W08051%715K
Resistor, 0805, 787K, 1%	MC0.1W08051%787K
Resistor, 0805, 825K, 1%	MC0.1W08051%825K
Resistor, 0805, 866K, 1%	MC0.1W08051%866K

0805

Thick Film Chip Resistor



Description	Part Number
Resistor, 0805, 909K, 1%	MC0.1W08051%909K
Resistor, 0805, 953K, 1%	MC0.1W08051%953K
Resistor, 0805, 1M05, 1%	MC0.1W08051%1M05
Resistor, 0805, 1M10, 1%	MC0.1W08051%1M10
Resistor, 0805, 1M15, 1%	MC0.1W08051%1M15
Resistor, 0805, 1M20, 1%	MC0.1W08051%1M20
Resistor, 0805, 1M21, 1%	MC0.1W08051%1M21
Resistor, 0805, 1M30, 1%	MC0.1W08051%1M30
Resistor, 0805, 1M33, 1%	MC0.1W08051%1M33
Resistor, 0805, 1M40, 1%	MC0.1W08051%1M40
Resistor, 0805, 1M47, 1%	MC0.1W08051%1M47
Resistor, 0805, 1M50, 1%	MC0.1W08051%1M50
Resistor, 0805, 1M60, 1%	MC0.1W08051%1M60
Resistor, 0805, 1M62, 1%	MC0.1W08051%1M62
Resistor, 0805, 1M69, 1%	MC0.1W08051%1M69
Resistor, 0805, 1M78, 1%	MC0.1W08051%1M78
Resistor, 0805, 1M80, 1%	MC0.1W08051%1M80
Resistor, 0805, 1M87, 1%	MC0.1W08051%1M87
Resistor, 0805, 1M96, 1%	MC0.1W08051%1M96
Resistor, 0805, 2M00, 1%	MC0.1W08051%2M00
Resistor, 0805, 2M05, 1%	MC0.1W08051%2M05
Resistor, 0805, 2M20, 1%	MC0.1W08051%2M20
Resistor, 0805, 2M37, 1%	MC0.1W08051%2M37
Resistor, 0805, 2M40, 1%	MC0.1W08051%2M40
Resistor, 0805, 2M49, 1%	MC0.1W08051%2M49
Resistor, 0805, 2M61, 1%	MC0.1W08051%2M61
Resistor, 0805, 2M70, 1%	MC0.1W08051%2M70
Resistor, 0805, 2M74, 1%	MC0.1W08051%2M74
Resistor, 0805, 3M00, 1%	MC0.1W08051%3M00
Resistor, 0805, 3M01, 1%	MC0.1W08051%3M01
Resistor, 0805, 3M16, 1%	MC0.1W08051%3M16
Resistor, 0805, 3M30, 1%	MC0.1W08051%3M30
Resistor, 0805, 3M32, 1%	MC0.1W08051%3M32
Resistor, 0805, 3M48, 1%	MC0.1W08051%3M48
Resistor, 0805, 3M60, 1%	MC0.1W08051%3M60
Resistor, 0805, 3M65, 1%	MC0.1W08051%3M65
Resistor, 0805, 3M83, 1%	MC0.1W08051%3M83
Resistor, 0805, 3M90, 1%	MC0.1W08051%3M90

0805

Thick Film Chip Resistor



Description	Part Number
Resistor, 0805, 4M02, 1%	MC0.1W08051%4M02
Resistor, 0805, 4M30, 1%	MC0.1W08051%4M30
Resistor, 0805, 4M42, 1%	MC0.1W08051%4M42
Resistor, 0805, 4M64, 1%	MC0.1W08051%4M64
Resistor, 0805, 4M70, 1%	MC0.1W08051%4M70
Resistor, 0805, 5M10, 1%	MC0.1W08051%5M10
Resistor, 0805, 5M11, 1%	MC0.1W08051%5M11
Resistor, 0805, 5M60, 1%	MC0.1W08051%5M60
Resistor, 0805, 5M90, 1%	MC0.1W08051%5M90
Resistor, 0805, 6M20, 1%	MC0.1W08051%6M20
Resistor, 0805, 6M49, 1%	MC0.1W08051%6M49
Resistor, 0805, 6M80, 1%	MC0.1W08051%6M80
Resistor, 0805, 6M81, 1%	MC0.1W08051%6M81
Resistor, 0805, 7M50, 1%	MC0.1W08051%7M50
Resistor, 0805, 8M20, 1%	MC0.1W08051%8M20
Resistor, 0805, 9M09, 1%	MC0.1W08051%9M09
Resistor, 0805, 9M10, 1%	MC0.1W08051%9M10
Resistor, 0805, 10M0, 1%	MC0.1W08051%10M0
Resistor KIT, 0805 E24 1%	0805WAFE240KIT.
Resistor, 0805 100R,0.1W,1%	MC 0.1W 0805 1% 100R
Resistor, 0805 1K,0.1W,1%	MC 0.1W 0805 1% 1K
Resistor, 0805 10K,0.1W,1%	MC 0.1W 0805 1% 10K
Resistor, 0805 100K,0.1W,1%	MC 0.1W 0805 1% 100K
Resistor, 1MOHM, 0.1W, 1%	MC 0.1W 0805 1% 1M
Resistor, 10R ,100MW, 1%	MC 0.1W 0805 1% 10R
Resistor, 0805 110R	MC 0.1W 0805 1% 110R
Resistor, 0805 1K1	MC 0.1W 0805 1% 1K1
Resistor, 0805 11K	MC 0.1W 0805 1% 11K
Resistor, 0805 110K	MC 0.1W 0805 1% 110K
Resistor, 0805 11R	MC 0.1W 0805 1% 11R
Resistor, 120R, 100MW, 1%	MC 0.1W 0805 1% 120R
Resistor, 0805, 1K2, 1%, 100MW	MC 0.1W 0805 1% 1K2
Resistor, 0805, 12K	MC 0.1W 0805 1% 12K
Resistor, 0805 120K	MC 0.1W 0805 1% 120K
Resistor, 0805 12R	MC 0.1W 0805 1% 12R
Resistor, 0805 130R	MC 0.1W 0805 1% 130R
Resistor, 0805 1K3	MC 0.1W 0805 1% 1K3
Resistor, 0805 13K	MC 0.1W 0805 1% 13K

0805

Thick Film Chip Resistor



Description	Part Number
Resistor, 0805 130K	MC 0.1W 0805 1% 130K
Resistor, 0805 13R	MC 0.1W 0805 1% 13R
Resistor, 0805 150R	MC 0.1W 0805 1% 150R
Resistor, 0805 1K5	MC 0.1W 0805 1% 1K5
Resistor, 15K, 100MW, 1%	MC 0.1W 0805 1% 15K
Resistor, 0805 150K	MC 0.1W 0805 1% 150K
Resistor, 0805 15R	MC 0.1W 0805 1% 15R
Resistor, 0805 1R5	MC 0.1W 0805 1% 1R5
Resistor, 0805 160R	MC 0.1W 0805 1% 160R
Resistor, 0805 1K6	MC 0.1W 0805 1% 1K6
Resistor, 0805 16K	MC 0.1W 0805 1% 16K
Resistor, 0805 160K	MC 0.1W 0805 1% 160K
Resistor, 0805 16R	MC 0.1W 0805 1% 16R
Resistor, 0805 180R	MC 0.1W 0805 1% 180R
Resistor, 0805, 1K8	MC 0.1W 0805 1% 1K8
Resistor, 0805, 18K, 1%, 100MW	MC 0.1W 0805 1% 18K
Resistor, 0805 180K	MC 0.1W 0805 1% 180K
Resistor, 0805 18R	MC 0.1W 0805 1% 18R
Resistor, 0805 200R	MC 0.1W 0805 1% 200R
Resistor, 2K, 100MW, 1%	MC 0.1W 0805 1% 2K
Resistor, 20K, 100MW, 1%	MC 0.1W 0805 1% 20K
Resistor, 0805, 200K, 1%, 100MW	MC 0.1W 0805 1% 200K
Resistor, 0805 20R	MC 0.1W 0805 1% 20R
Resistor, 0805 220R	MC 0.1W 0805 1% 220R
Resistor, 0805 2K2,0.1W,1%	MC 0.1W 0805 1% 2K2
Resistor, 0805 22K	MC 0.1W 0805 1% 22K
Resistor, 0805, 220K, 1%, 100MW	MC 0.1W 0805 1% 220K
Resistor, 0805 22R	MC 0.1W 0805 1% 22R
Resistor, 0805 2R2	MC 0.1W 0805 1% 2R2
Resistor, 0805 240R	MC 0.1W 0805 1% 240R
Resistor, 0805, 2K4, 1%, 100MW	MC 0.1W 0805 1% 2K4
Resistor, 0805 24K	MC 0.1W 0805 1% 24K
Resistor, 0805 240K	MC 0.1W 0805 1% 240K
Resistor, 0805 24R	MC 0.1W 0805 1% 24R
Resistor, 0805 270R	MC 0.1W 0805 1% 270R
Resistor, 0805 2K7	MC 0.1W 0805 1% 2K7
Resistor, 0805 27K	MC 0.1W 0805 1% 27K
Resistor, 0805 270K	MC 0.1W 0805 1% 270K

0805

Thick Film Chip Resistor



Description	Part Number
Resistor, 0805 27R	MC 0.1W 0805 1% 27R
Resistor, 0805, 300R, 1%, 100MW	MC 0.1W 0805 1% 300R
Resistor, 0805 3K	MC 0.1W 0805 1% 3K
Resistor, 0805 30K	MC 0.1W 0805 1% 30K
Resistor, 0805 300K	MC 0.1W 0805 1% 300K
Resistor, 0805 30R	MC 0.1W 0805 1% 30R
Resistor, 0805 330R	MC 0.1W 0805 1% 330R
Resistor, 3K3, 100MW, 1%	MC 0.1W 0805 1% 3K3
Resistor, 33K, 100MW, 1%	MC 0.1W 0805 1% 33K
Resistor, 0805 330K	MC 0.1W 0805 1% 330K
Resistor, 0805 33R	MC 0.1W 0805 1% 33R
Resistor, 0805 3R3	MC 0.1W 0805 1% 3R3
Resistor, 0805 360R	MC 0.1W 0805 1% 360R
Resistor, 0805 3K6	MC 0.1W 0805 1% 3K6
Resistor, 0805 36K	MC 0.1W 0805 1% 36K
Resistor, 0805 360K	MC 0.1W 0805 1% 360K
Resistor, 0805 36R	MC 0.1W 0805 1% 36R
Resistor, 0805, 390R, 1%, 0.1W	MC 0.1W 0805 1% 390R
Resistor, 0805 3K9	MC 0.1W 0805 1% 3K9
Resistor, 0805 39K	MC 0.1W 0805 1% 39K
Resistor, 0805 390K	MC 0.1W 0805 1% 390K
Resistor, 0805 39R	MC 0.1W 0805 1% 39R
Resistor, 0805 430R	MC 0.1W 0805 1% 430R
Resistor, 0805 4K3	MC 0.1W 0805 1% 4K3
Resistor, 0805 43K	MC 0.1W 0805 1% 43K
Resistor, 0805 430K	MC 0.1W 0805 1% 430K
Resistor, 0805 43R	MC 0.1W 0805 1% 43R
Resistor, 470R, 0.1W, 1%	MC 0.1W 0805 1% 470R
Resistor, 0805 4K7,0.1W,1%	MC 0.1W 0805 1% 4K7
Resistor, 47K, 100MW, 1%	MC 0.1W 0805 1% 47K
Resistor, 0805 470K	MC 0.1W 0805 1% 470K
Resistor, 0805 47R	MC 0.1W 0805 1% 47R
Resistor, 0805 4R7	MC 0.1W 0805 1% 4R7
Resistor, 0805, 510R, 1%, 100MW	MC 0.1W 0805 1% 510R
Resistor, 0805, 5K1	MC 0.1W 0805 1% 5K1
Resistor, 0805, 51K, 1%, 0.1W	MC 0.1W 0805 1% 51K
Resistor, 0805 510K	MC 0.1W 0805 1% 510K
Resistor, 0805 51R	MC 0.1W 0805 1% 51R

0805

Thick Film Chip Resistor



Description	Part Number
Resistor, 0805 560R	MC 0.1W 0805 1% 560R
Resistor, 0805, 5K6, 1%, 100MW	MC 0.1W 0805 1% 5K6
Resistor, 0805 56K	MC 0.1W 0805 1% 56K
Resistor, 0805 560K	MC 0.1W 0805 1% 560K
Resistor, 0805 56R	MC 0.1W 0805 1% 56R
Resistor, 0805 620R	MC 0.1W 0805 1% 620R
Resistor, 0805 6K2	MC 0.1W 0805 1% 6K2
Resistor, 0805 62K	MC 0.1W 0805 1% 62K
Resistor, 0805 620K	MC 0.1W 0805 1% 620K
Resistor, 0805 62R	MC 0.1W 0805 1% 62R
Resistor, 0805 680R	MC 0.1W 0805 1% 680R
Resistor, 0805, 6K8, 1%, 0.1W	MC 0.1W 0805 1% 6K8
Resistor, 0805 68K	MC 0.1W 0805 1% 68K
Resistor, 0805 680K	MC 0.1W 0805 1% 680K
Resistor, 0805 68R	MC 0.1W 0805 1% 68R
Resistor, 0805 6R8	MC 0.1W 0805 1% 6R8
Resistor, 0805 750R	MC 0.1W 0805 1% 750R
Resistor, 0805 7K5	MC 0.1W 0805 1% 7K5
Resistor, 0805 75K	MC 0.1W 0805 1% 75K
Resistor, 0805 750K	MC 0.1W 0805 1% 750K
Resistor, 0805 75R	MC 0.1W 0805 1% 75R
Resistor, 0805 820R	MC 0.1W 0805 1% 820R
Resistor, 0805 8K2	MC 0.1W 0805 1% 8K2
Resistor, 0805 82K	MC 0.1W 0805 1% 82K
Resistor, 0805 820K	MC 0.1W 0805 1% 820K
Resistor, 0805 82R	MC 0.1W 0805 1% 82R
Resistor, 0805 910R	MC 0.1W 0805 1% 910R
Resistor, 0805 9K1	MC 0.1W 0805 1% 9K1
Resistor, 0805 91K	MC 0.1W 0805 1% 91K
Resistor, 0805 910K	MC 0.1W 0805 1% 910K
Resistor, 0805 91R	MC 0.1W 0805 1% 91R
Resistor KIT, 0805, E24, 1%	0805WAFE240KIT

Important Notice : This data sheet and its contents (the "Information") belong to the members of the Premier Farnell group of companies (the "Group") or are licensed to it. No licence is granted for the use of it other than for information purposes in connection with the products to which it relates. No licence of any intellectual property rights is granted. The Information is subject to change without notice and replaces all data sheets previously supplied. The Information supplied is believed to be accurate but the Group assumes no responsibility for its accuracy or completeness, any error in or omission from it or for any use made of it. Users of this data sheet should check for themselves the Information and the suitability of the products for their purpose and not make any assumptions based on information included or omitted. Liability for loss or damage resulting from any reliance on the Information or use of it (including liability resulting from negligence or where the Group was aware of the possibility of such loss or damage arising) is excluded. This will not operate to limit or restrict the Group's liability for death or personal injury resulting from its negligence. Multicomp is the registered trademark of the Group. © Premier Farnell plc 2012.

EN - For pricing and availability in your local country please visit one of the below links:

DE - Informationen zu Preisen und Verfügbarkeit in Ihrem Land erhalten Sie über die unten aufgeführten Links:

FR - Pour connaître les tarifs et la disponibilité dans votre pays, cliquez sur l'un des liens suivants:

[MC01W0805114K0](#) [MC01W080511K62](#) [MC01W080512K74](#) [MC01W0805140K2](#) [MC01W0805168R](#)

[MC01W0805175K](#) [MC01W08051120K](#) [MC01W0805147R](#) [MC01W08051560R](#)

EN

This Datasheet is presented by
the manufacturer

DE

Dieses Datenblatt wird vom
Hersteller bereitgestellt

FR

Cette fiche technique est
présentée par le fabricant