

**EN** - For pricing and availability in your local country please visit one of the below links:

**DE** - Informationen zu Preisen und Verfügbarkeit in Ihrem Land erhalten Sie über die unten aufgeführten Links:

**FR** - Pour connaître les tarifs et la disponibilité dans votre pays, cliquez sur l'un des liens suivants:

[MC0125W1206127](#) [MC0125W120612R](#) [MC0125W120613K](#) [MC0125W120611K](#) [MC0125W1206133](#)  
[R](#) [20](#) [16](#) [5](#) [0K](#)

**EN**  
This Datasheet is presented by  
the manufacturer

**DE**  
Dieses Datenblatt wird vom  
Hersteller bereitgestellt

**FR**  
Cette fiche technique est  
présentée par le fabricant

# 1206

## Thick Film Chip Resistor

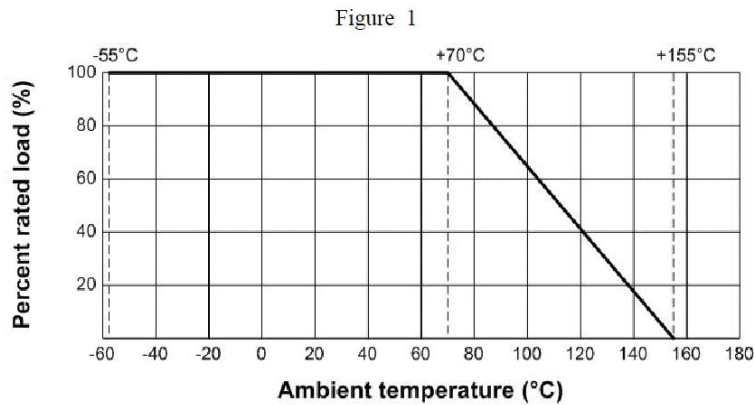


### Ratings:

|                       |                 |
|-----------------------|-----------------|
| Type                  | 1206            |
| Power Rating          | 0.125W (1/8W)   |
| Max. Working Voltage  | 200V            |
| Max. Overload Voltage | 400V            |
| Temperature Range     | -55°C to +155°C |
| Ambient Temperature   | 70°C            |

### Power Rating:

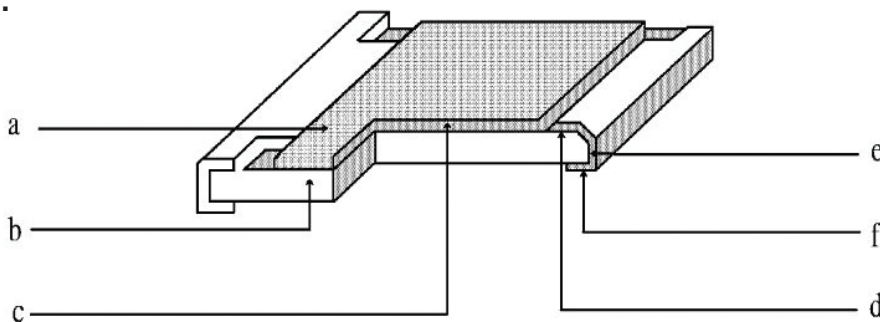
Resistors shall have a power rating based on continuous load operation at an ambient temperature of 70°C. For temperature in excess of 70°C, the load shall be derate as shown in figure 1.



### Nominal Resistance

Effective figures of nominal resistance shall be in accordance with E-24 and E-96 series. E-96 series for 1% and E-24 series for 2% and 5%

### Construction:



- a. Protective coating : Epoxy
- b. Al<sub>2</sub>O<sub>3</sub> high purity alumina substrate : Al 96%
- c. Resistive element : RuO<sub>2</sub>, Ag, Glass

- d. Termination (Inner) : Ag/Pd
- e. Termination (Between) : Ni plating film
- f. Termination (Outer) : Sn plating film

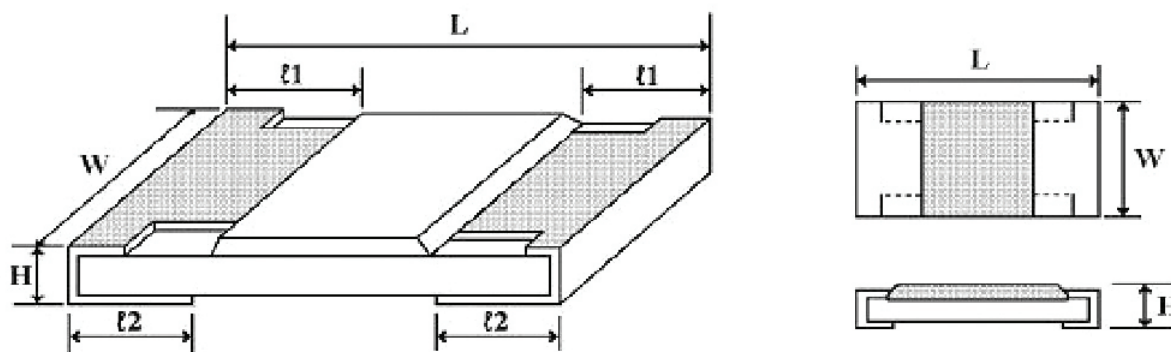


# 1206

## Thick Film Chip Resistor



### Power Rating and Dimensions:



### Dimension :

| Type | Dimension (mm) |                       |             |              |              |
|------|----------------|-----------------------|-------------|--------------|--------------|
|      | $L \pm 0.15$   | $W + 0.15$<br>$- 0.1$ | $H \pm 0.1$ | $l1 \pm 0.2$ | $l2 \pm 0.2$ |
| 1206 | 3.1            | 1.55                  | 0.55        | 0.45         | 0.45         |

### Power Rating :

| Type | Power Rating at 70°C | Tolerance % | Resistance Range | Standard Series |
|------|----------------------|-------------|------------------|-----------------|
| 1206 | 0.125W<br>(1/8W)     | ±1          | 1Ω to 10MΩ       | E-96            |

### Marking :

Resistors

Marking for E-96 series in 1206 size : 4 Digits

\*The first 3 digits are significant figures of resistance and the 4th digit denoted number of zeros.

|     |  |      |  |       |
|-----|--|------|--|-------|
| Ex. |  | 1003 |  | 100KΩ |
|-----|--|------|--|-------|

\*For ohmic values below 100 Ω, letter "R" is for decimal point.

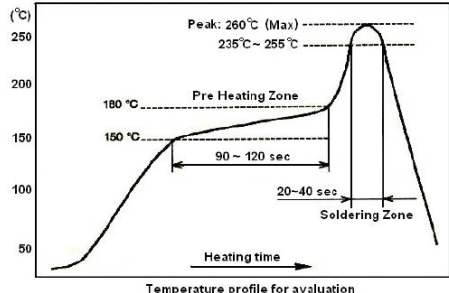
|     |  |      |  |      |
|-----|--|------|--|------|
| Ex. |  | 1R80 |  | 1.8Ω |
|-----|--|------|--|------|

# 1206

## Thick Film Chip Resistor



### Performance Specifications:

| Characteristics                 | Limits                                                                                                         | Test Methods<br>(JIS C 5201-1)                                                                                                                                                                                                                                                                                                                                                                                                                                                                                                                                                                                                                                                                                                                                                                                                                                                                                                                                                                                                                                                                                         |
|---------------------------------|----------------------------------------------------------------------------------------------------------------|------------------------------------------------------------------------------------------------------------------------------------------------------------------------------------------------------------------------------------------------------------------------------------------------------------------------------------------------------------------------------------------------------------------------------------------------------------------------------------------------------------------------------------------------------------------------------------------------------------------------------------------------------------------------------------------------------------------------------------------------------------------------------------------------------------------------------------------------------------------------------------------------------------------------------------------------------------------------------------------------------------------------------------------------------------------------------------------------------------------------|
| Insulation resistance           | 1,000MΩ or more                                                                                                | Apply 500V DC between protective coating and termination for 1 min, then measure (Sub-clause 4.6)                                                                                                                                                                                                                                                                                                                                                                                                                                                                                                                                                                                                                                                                                                                                                                                                                                                                                                                                                                                                                      |
| Dielectric withstanding voltage | No evidence of flashover mechanical damage, arcing or insulation break down                                    | Apply 500V AC between protective coating and termination for 1 minute (Sub-clause 4.7)                                                                                                                                                                                                                                                                                                                                                                                                                                                                                                                                                                                                                                                                                                                                                                                                                                                                                                                                                                                                                                 |
| Temperature coefficient         | 1Ω-10Ω : ± 400 PPM / °C<br>11Ω-100Ω : ± 200 PPM / °C<br>>100Ω : ± 100 PPM / °C                                 | Natural resistance change per temp. degree centigrade.<br>$\frac{R_2 - R_1}{R_1(t_2 - t_1)} \times 10^6 \text{ (PPM / } ^\circ\text{C)}$ R1: Resistance value at room temperature (t1)<br>R2: Resistance value at room temp. plus 100°C (t2)<br>(Sub-clause 4.8)                                                                                                                                                                                                                                                                                                                                                                                                                                                                                                                                                                                                                                                                                                                                                                                                                                                       |
| Short time overload             | Resistance change rate is ± (1% + 0.1Ω) Max.                                                                   | Permanent resistance change after the application of a potential of 2.5 times RCWV for 5 seconds (Sub-clause 4.13)                                                                                                                                                                                                                                                                                                                                                                                                                                                                                                                                                                                                                                                                                                                                                                                                                                                                                                                                                                                                     |
| Solderability                   | 95 % coverage Min.                                                                                             | Test temperature of solder : 245 ± 3°C<br>Dwell time in solder : 2 to 3 seconds (Sub-clause 4.17)                                                                                                                                                                                                                                                                                                                                                                                                                                                                                                                                                                                                                                                                                                                                                                                                                                                                                                                                                                                                                      |
| Soldering temp. reference       | Electrical characteristics shall be satisfied. Without distinct deformation in appearance. (95% coverage Min.) | <b>Wave soldering condition:</b> (2 cycles Max.)<br>Pre-heat : 100°C to 120°C, 30 ± 5 sec.<br>Suggestion solder temp. : 235°C to 255°C, 10 sec. (Max.)<br>Peak temp. : 260°C<br><b>Reflow soldering condition:</b> (2 cycles Max.)<br>Pre-heat : 150°C to 180°C, 90 sec to 120 sec.<br>Suggestion solder temp.: 235°C to 255°C, 20 sec to 40 sec.<br>Peak temp. : 260°C<br> <p>The graph shows a temperature profile for evaluation. The y-axis is temperature in degrees Celsius (°C) ranging from 50 to 250. The x-axis is heating time. The profile starts at 50°C, rises to 150°C, then to 180°C. A 'Pre Heating Zone' is indicated between 150°C and 180°C with a duration of 90 ~ 120 sec. The temperature then rises to a peak of 260°C (Max) within a 'Soldering Zone' of 20-40 sec. The peak temperature range is 235°C ~ 255°C. The temperature then falls back to 50°C.</p> <b>Hand soldering condition:</b><br>The soldering iron tip temperature should be less than 300°C and maximum contract time should be 5 sec. |

# 1206

## Thick Film Chip Resistor

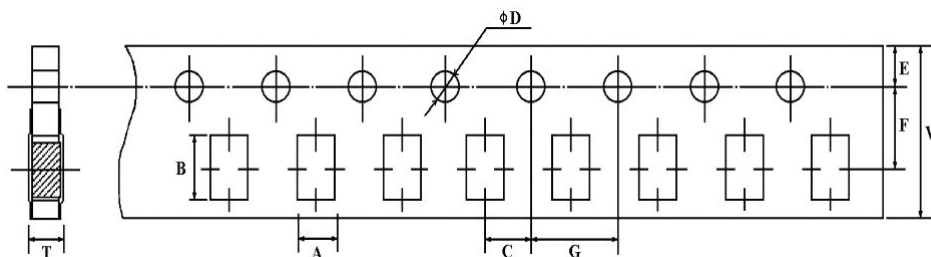


### Performance Specifications:

| Characteristics       | Limits                                                     | Test Methods<br>(JIS C 5201-1)                                                                                                                                                                                                                                                                                                                                                                                                                                                                                                                                               |      |             |      |   |                                             |         |   |            |               |   |                                              |         |   |            |               |
|-----------------------|------------------------------------------------------------|------------------------------------------------------------------------------------------------------------------------------------------------------------------------------------------------------------------------------------------------------------------------------------------------------------------------------------------------------------------------------------------------------------------------------------------------------------------------------------------------------------------------------------------------------------------------------|------|-------------|------|---|---------------------------------------------|---------|---|------------|---------------|---|----------------------------------------------|---------|---|------------|---------------|
| Soldering Heat        | Resistance change rate is:<br>$\pm(1\%+0.05\Omega)$ Max.   | Dip the resistor into a solder bath having a temperature of $260^{\circ}\text{C} \pm 3^{\circ}\text{C}$ and hold it for $10 \pm 1$ seconds. (Sub-clause 4.18)                                                                                                                                                                                                                                                                                                                                                                                                                |      |             |      |   |                                             |         |   |            |               |   |                                              |         |   |            |               |
| Temperature cycling   | Resistance change rate is<br>$(0.5\% + 0.05\Omega)$ Max.   | Resistance change after continuous 5 cycles for duty cycle specified below :<br><table border="1"> <thead> <tr> <th>Step</th> <th>Temperature</th> <th>Time</th> </tr> </thead> <tbody> <tr> <td>1</td> <td><math>-55^{\circ}\text{C} \pm 3^{\circ}\text{C}</math></td> <td>30 mins</td> </tr> <tr> <td>2</td> <td>Room temp.</td> <td>10 to 15 mins</td> </tr> <tr> <td>3</td> <td><math>+155^{\circ}\text{C} \pm 2^{\circ}\text{C}</math></td> <td>30 mins</td> </tr> <tr> <td>4</td> <td>Room temp.</td> <td>10 to 15 mins</td> </tr> </tbody> </table> (Sub-clause 4.19) | Step | Temperature | Time | 1 | $-55^{\circ}\text{C} \pm 3^{\circ}\text{C}$ | 30 mins | 2 | Room temp. | 10 to 15 mins | 3 | $+155^{\circ}\text{C} \pm 2^{\circ}\text{C}$ | 30 mins | 4 | Room temp. | 10 to 15 mins |
| Step                  | Temperature                                                | Time                                                                                                                                                                                                                                                                                                                                                                                                                                                                                                                                                                         |      |             |      |   |                                             |         |   |            |               |   |                                              |         |   |            |               |
| 1                     | $-55^{\circ}\text{C} \pm 3^{\circ}\text{C}$                | 30 mins                                                                                                                                                                                                                                                                                                                                                                                                                                                                                                                                                                      |      |             |      |   |                                             |         |   |            |               |   |                                              |         |   |            |               |
| 2                     | Room temp.                                                 | 10 to 15 mins                                                                                                                                                                                                                                                                                                                                                                                                                                                                                                                                                                |      |             |      |   |                                             |         |   |            |               |   |                                              |         |   |            |               |
| 3                     | $+155^{\circ}\text{C} \pm 2^{\circ}\text{C}$               | 30 mins                                                                                                                                                                                                                                                                                                                                                                                                                                                                                                                                                                      |      |             |      |   |                                             |         |   |            |               |   |                                              |         |   |            |               |
| 4                     | Room temp.                                                 | 10 to 15 mins                                                                                                                                                                                                                                                                                                                                                                                                                                                                                                                                                                |      |             |      |   |                                             |         |   |            |               |   |                                              |         |   |            |               |
| Load life in humidity | Resistance change rate is<br>$\pm (1\% + 0.1\Omega)$ Max.  | Resistance change after 1,000 hours (1.5 hours "on", 0.5 hour "off" ) at RCWV in a humidity chamber controlled at $40^{\circ}\text{C} \pm 2^{\circ}\text{C}$ and 90 to 95 % relative humidity (Sub-clause 4.24.2.1)                                                                                                                                                                                                                                                                                                                                                          |      |             |      |   |                                             |         |   |            |               |   |                                              |         |   |            |               |
| Load Life             | Resistance change rate is<br>$\pm (1\% + 0.1\Omega)$ Max.  | Permanent resistance change after 1,000 hours operating at RCWV, with duty cycle of 1.5 hours "on", 0.5 hour "off" ) at $70^{\circ}\text{C} \pm 2^{\circ}\text{C}$ ambient Sub-clause 4.25.1)                                                                                                                                                                                                                                                                                                                                                                                |      |             |      |   |                                             |         |   |            |               |   |                                              |         |   |            |               |
| Terminal bending      | Resistance change rate is<br>$\pm (1\% + 0.05\Omega)$ Max. | Twist of Test Board :<br>Y/X = 5/90 mm for 10 seconds (Sub-clause 4.33)                                                                                                                                                                                                                                                                                                                                                                                                                                                                                                      |      |             |      |   |                                             |         |   |            |               |   |                                              |         |   |            |               |

### Packing specification:

\* Taping Dimension (mm)



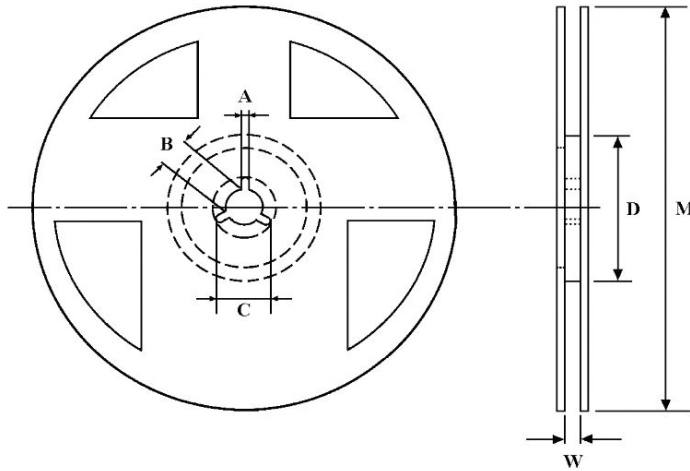
| Type | A $\pm 0.2$ | B $\pm 0.2$ | C $\pm 0.05$ | $\phi D \begin{smallmatrix} +0.1 \\ -0 \end{smallmatrix}$ | E $\pm 0.1$ | F $\pm 0.05$ | G $\pm 0.1$ | W $\pm 0.2$ | T $\pm 0.1$ |
|------|-------------|-------------|--------------|-----------------------------------------------------------|-------------|--------------|-------------|-------------|-------------|
| 1206 | 2           | 3.6         | 2            | 1.5                                                       | 1.75        | 3.5          | 4           | 8           | 0.81        |

# 1206

## Thick Film Chip Resistor



\* Reel Dimension (mm)



| Type | Quantity Per Reel | A ± 0.5 | B ± 0.5 | C ± 0.5 | D ± 1 | M ± 2 | W ± 1 |
|------|-------------------|---------|---------|---------|-------|-------|-------|
| 1206 | 5,000 pcs. / Reel | 2       | 13      | 21      | 60    | 178   | 10    |

Remark :  $\varnothing$  M 10,000 pcs. / Reel =  $255 \pm 2$ mm  
 20,000 pcs. / Reel =  $330 \pm 2$ mm

### Part Number Table

| Description              | Part Number        |
|--------------------------|--------------------|
| Resistor, 1206, 1R0, 1%  | MC0.125W12061%1R0  |
| Resistor, 1206, 1R5, 1%  | MC0.125W12061%1R5  |
| Resistor, 1206, 1R10, 1% | MC0.125W12061%1R10 |
| Resistor, 1206, 1R15, 1% | MC0.125W12061%1R15 |
| Resistor, 1206, 1R20, 1% | MC0.125W12061%1R20 |
| Resistor, 1206, 1R21, 1% | MC0.125W12061%1R21 |
| Resistor, 1206, 1R27, 1% | MC0.125W12061%1R27 |
| Resistor, 1206, 1R30, 1% | MC0.125W12061%1R30 |
| Resistor, 1206, 1R33, 1% | MC0.125W12061%1R33 |
| Resistor, 1206, 1R40, 1% | MC0.125W12061%1R40 |
| Resistor, 1206, 1R47, 1% | MC0.125W12061%1R47 |
| Resistor, 1206, 1R50, 1% | MC0.125W12061%1R50 |
| Resistor, 1206, 1R54, 1% | MC0.125W12061%1R54 |
| Resistor, 1206, 1R60, 1% | MC0.125W12061%1R60 |
| Resistor, 1206, 1R62, 1% | MC0.125W12061%1R62 |

| Description              | Part Number        |
|--------------------------|--------------------|
| Resistor, 1206, 1R69, 1% | MC0.125W12061%1R69 |
| Resistor, 1206, 1R78, 1% | MC0.125W12061%1R78 |
| Resistor, 1206, 1R80, 1% | MC0.125W12061%1R80 |
| Resistor, 1206, 1R87, 1% | MC0.125W12061%1R87 |
| Resistor, 1206, 1R96, 1% | MC0.125W12061%1R96 |
| Resistor, 1206, 2R0, 1%  | MC0.125W12061%2R0  |
| Resistor, 1206, 2R15, 1% | MC0.125W12061%2R15 |
| Resistor, 1206, 2R20, 1% | MC0.125W12061%2R20 |
| Resistor, 1206, 2R26, 1% | MC0.125W12061%2R26 |
| Resistor, 1206, 2R37, 1% | MC0.125W12061%2R37 |
| Resistor, 1206, 2R40, 1% | MC0.125W12061%2R40 |
| Resistor, 1206, 2R49, 1% | MC0.125W12061%2R49 |
| Resistor, 1206, 2R61, 1% | MC0.125W12061%2R61 |
| Resistor, 1206, 2R70, 1% | MC0.125W12061%2R70 |
| Resistor, 1206, 2R74, 1% | MC0.125W12061%2R74 |

www.element14.com  
 www.farnell.com  
 www.newark.com



# 1206

## Thick Film Chip Resistor



| Description              | Part Number        |
|--------------------------|--------------------|
| Resistor, 1206, 2R87, 1% | MC0.125W12061%2R87 |
| Resistor, 1206, 3R0, 1%  | MC0.125W12061%3R0  |
| Resistor, 1206, 3R16, 1% | MC0.125W12061%3R16 |
| Resistor, 1206, 3R30, 1% | MC0.125W12061%3R30 |
| Resistor, 1206, 3R32, 1% | MC0.125W12061%3R32 |
| Resistor, 1206, 3R48, 1% | MC0.125W12061%3R48 |
| Resistor, 1206, 3R60, 1% | MC0.125W12061%3R60 |
| Resistor, 1206, 3R65, 1% | MC0.125W12061%3R65 |
| Resistor, 1206, 3R90, 1% | MC0.125W12061%3R90 |
| Resistor, 1206, 4R22, 1% | MC0.125W12061%4R22 |
| Resistor, 1206, 4R30, 1% | MC0.125W12061%4R30 |
| Resistor, 1206, 4R42, 1% | MC0.125W12061%4R42 |
| Resistor, 1206, 4R64, 1% | MC0.125W12061%4R64 |
| Resistor, 1206, 4R70, 1% | MC0.125W12061%4R70 |
| Resistor, 1206, 5R10, 1% | MC0.125W12061%5R10 |
| Resistor, 1206, 5R11, 1% | MC0.125W12061%5R11 |
| Resistor, 1206, 5R36, 1% | MC0.125W12061%5R36 |
| Resistor, 1206, 5R60, 1% | MC0.125W12061%5R60 |
| Resistor, 1206, 5R62, 1% | MC0.125W12061%5R62 |
| Resistor, 1206, 5R90, 1% | MC0.125W12061%5R90 |
| Resistor, 1206, 6R19, 1% | MC0.125W12061%6R19 |
| Resistor, 1206, 6R20, 1% | MC0.125W12061%6R20 |
| Resistor, 1206, 6R80, 1% | MC0.125W12061%6R80 |
| Resistor, 1206, 6R81, 1% | MC0.125W12061%6R81 |
| Resistor, 1206, 7R15, 1% | MC0.125W12061%7R15 |
| Resistor, 1206, 7R50, 1% | MC0.125W12061%7R50 |
| Resistor, 1206, 7R87, 1% | MC0.125W12061%7R87 |
| Resistor, 1206, 8R20, 1% | MC0.125W12061%8R20 |
| Resistor, 1206, 8R25, 1% | MC0.125W12061%8R25 |
| Resistor, 1206, 8R66, 1% | MC0.125W12061%8R66 |
| Resistor, 1206, 9R10, 1% | MC0.125W12061%9R10 |
| Resistor, 1206, 9R53, 1% | MC0.125W12061%9R53 |
| Resistor, 1206, 10R5, 1% | MC0.125W12061%10R5 |
| Resistor, 1206, 11R5, 1% | MC0.125W12061%11R5 |
| Resistor, 1206, 12R1, 1% | MC0.125W12061%12R1 |
| Resistor, 1206, 12R7, 1% | MC0.125W12061%12R7 |
| Resistor, 1206, 13R0, 1% | MC0.125W12061%13R0 |

| Description              | Part Number        |
|--------------------------|--------------------|
| Resistor, 1206, 13R3, 1% | MC0.125W12061%13R3 |
| Resistor, 1206, 14R0, 1% | MC0.125W12061%14R0 |
| Resistor, 1206, 14R7, 1% | MC0.125W12061%14R7 |
| Resistor, 1206, 15R4, 1% | MC0.125W12061%15R4 |
| Resistor, 1206, 16R2, 1% | MC0.125W12061%16R2 |
| Resistor, 1206, 16R9, 1% | MC0.125W12061%16R9 |
| Resistor, 1206, 17R8, 1% | MC0.125W12061%17R8 |
| Resistor, 1206, 18R7, 1% | MC0.125W12061%18R7 |
| Resistor, 1206, 19R6, 1% | MC0.125W12061%19R6 |
| Resistor, 1206, 20R5, 1% | MC0.125W12061%20R5 |
| Resistor, 1206, 21R5, 1% | MC0.125W12061%21R5 |
| Resistor, 1206, 22R6, 1% | MC0.125W12061%22R6 |
| Resistor, 1206, 23R7, 1% | MC0.125W12061%23R7 |
| Resistor, 1206, 24R9, 1% | MC0.125W12061%24R9 |
| Resistor, 1206, 26R1, 1% | MC0.125W12061%26R1 |
| Resistor, 1206, 27R4, 1% | MC0.125W12061%27R4 |
| Resistor, 1206, 28R7, 1% | MC0.125W12061%28R7 |
| Resistor, 1206, 30R1, 1% | MC0.125W12061%30R1 |
| Resistor, 1206, 31R6, 1% | MC0.125W12061%31R6 |
| Resistor, 1206, 33R2, 1% | MC0.125W12061%33R2 |
| Resistor, 1206, 34R8, 1% | MC0.125W12061%34R8 |
| Resistor, 1206, 36R5, 1% | MC0.125W12061%36R5 |
| Resistor, 1206, 38R3, 1% | MC0.125W12061%38R3 |
| Resistor, 1206, 40R2, 1% | MC0.125W12061%40R2 |
| Resistor, 1206, 42R2, 1% | MC0.125W12061%42R2 |
| Resistor, 1206, 43R0, 1% | MC0.125W12061%43R0 |
| Resistor, 1206, 44R2, 1% | MC0.125W12061%44R2 |
| Resistor, 1206, 46R4, 1% | MC0.125W12061%46R4 |
| Resistor, 1206, 48R7, 1% | MC0.125W12061%48R7 |
| Resistor, 1206, 49R9, 1% | MC0.125W12061%49R9 |
| Resistor, 1206, 51R1, 1% | MC0.125W12061%51R1 |
| Resistor, 1206, 53R6, 1% | MC0.125W12061%53R6 |
| Resistor, 1206, 56R2, 1% | MC0.125W12061%56R2 |
| Resistor, 1206, 59R0, 1% | MC0.125W12061%59R0 |
| Resistor, 1206, 61R9, 1% | MC0.125W12061%61R9 |
| Resistor, 1206, 64R9, 1% | MC0.125W12061%64R9 |
| Resistor, 1206, 68R1, 1% | MC0.125W12061%68R1 |

# 1206

## Thick Film Chip Resistor



| Description              | Part Number        |
|--------------------------|--------------------|
| Resistor, 1206, 71R5, 1% | MC0.125W12061%71R5 |
| Resistor, 1206, 78R7, 1% | MC0.125W12061%78R7 |
| Resistor, 1206, 82R5, 1% | MC0.125W12061%82R5 |
| Resistor, 1206, 86R6, 1% | MC0.125W12061%86R6 |
| Resistor, 1206, 90R9, 1% | MC0.125W12061%90R9 |
| Resistor, 1206, 95R3, 1% | MC0.125W12061%95R3 |
| Resistor, 1206, 105R, 1% | MC0.125W12061%105R |
| Resistor, 1206, 115R, 1% | MC0.125W12061%115R |
| Resistor, 1206, 121R, 1% | MC0.125W12061%121R |
| Resistor, 1206, 127R, 1% | MC0.125W12061%127R |
| Resistor, 1206, 133R, 1% | MC0.125W12061%133R |
| Resistor, 1206, 140R, 1% | MC0.125W12061%140R |
| Resistor, 1206, 147R, 1% | MC0.125W12061%147R |
| Resistor, 1206, 154R, 1% | MC0.125W12061%154R |
| Resistor, 1206, 162R, 1% | MC0.125W12061%162R |
| Resistor, 1206, 169R, 1% | MC0.125W12061%169R |
| Resistor, 1206, 178R, 1% | MC0.125W12061%178R |
| Resistor, 1206, 187R, 1% | MC0.125W12061%187R |
| Resistor, 1206, 196R, 1% | MC0.125W12061%196R |
| Resistor, 1206, 205R, 1% | MC0.125W12061%205R |
| Resistor, 1206, 215R, 1% | MC0.125W12061%215R |
| Resistor, 1206, 226R, 1% | MC0.125W12061%226R |
| Resistor, 1206, 237R, 1% | MC0.125W12061%237R |
| Resistor, 1206, 249R, 1% | MC0.125W12061%249R |
| Resistor, 1206, 261R, 1% | MC0.125W12061%261R |
| Resistor, 1206, 274R, 1% | MC0.125W12061%274R |
| Resistor, 1206, 287R, 1% | MC0.125W12061%287R |
| Resistor, 1206, 301R, 1% | MC0.125W12061%301R |
| Resistor, 1206, 316R, 1% | MC0.125W12061%316R |
| Resistor, 1206, 332R, 1% | MC0.125W12061%332R |
| Resistor, 1206, 348R, 1% | MC0.125W12061%348R |
| Resistor, 1206, 365R, 1% | MC0.125W12061%365R |
| Resistor, 1206, 383R, 1% | MC0.125W12061%383R |
| Resistor, 1206, 402R, 1% | MC0.125W12061%402R |
| Resistor, 1206, 422R, 1% | MC0.125W12061%422R |
| Resistor, 1206, 442R, 1% | MC0.125W12061%442R |
| Resistor, 1206, 464R, 1% | MC0.125W12061%464R |

| Description              | Part Number        |
|--------------------------|--------------------|
| Resistor, 1206, 475R, 1% | MC0.125W12061%475R |
| Resistor, 1206, 487R, 1% | MC0.125W12061%487R |
| Resistor, 1206, 536R, 1% | MC0.125W12061%536R |
| Resistor, 1206, 562R, 1% | MC0.125W12061%562R |
| Resistor, 1206, 590R, 1% | MC0.125W12061%590R |
| Resistor, 1206, 619R, 1% | MC0.125W12061%619R |
| Resistor, 1206, 649R, 1% | MC0.125W12061%649R |
| Resistor, 1206, 681R, 1% | MC0.125W12061%681R |
| Resistor, 1206, 715R, 1% | MC0.125W12061%715R |
| Resistor, 1206, 787R, 1% | MC0.125W12061%787R |
| Resistor, 1206, 825R, 1% | MC0.125W12061%825R |
| Resistor, 1206, 866R, 1% | MC0.125W12061%866R |
| Resistor, 1206, 909R, 1% | MC0.125W12061%909R |
| Resistor, 1206, 953R, 1% | MC0.125W12061%953R |
| Resistor, 1206, 1K05, 1% | MC0.125W12061%1K05 |
| Resistor, 1206, 1K15, 1% | MC0.125W12061%1K15 |
| Resistor, 1206, 1K21, 1% | MC0.125W12061%1K21 |
| Resistor, 1206, 1K27, 1% | MC0.125W12061%1K27 |
| Resistor, 1206, 1K33, 1% | MC0.125W12061%1K33 |
| Resistor, 1206, 1K40, 1% | MC0.125W12061%1K40 |
| Resistor, 1206, 1K47, 1% | MC0.125W12061%1K47 |
| Resistor, 1206, 1K54, 1% | MC0.125W12061%1K54 |
| Resistor, 1206, 1K62, 1% | MC0.125W12061%1K62 |
| Resistor, 1206, 1K69, 1% | MC0.125W12061%1K69 |
| Resistor, 1206, 1K78, 1% | MC0.125W12061%1K78 |
| Resistor, 1206, 1K87, 1% | MC0.125W12061%1K87 |
| Resistor, 1206, 1K96, 1% | MC0.125W12061%1K96 |
| Resistor, 1206, 2K05, 1% | MC0.125W12061%2K05 |
| Resistor, 1206, 2K15, 1% | MC0.125W12061%2K15 |
| Resistor, 1206, 2K26, 1% | MC0.125W12061%2K26 |
| Resistor, 1206, 2K37, 1% | MC0.125W12061%2K37 |
| Resistor, 1206, 2K49, 1% | MC0.125W12061%2K49 |
| Resistor, 1206, 2K61, 1% | MC0.125W12061%2K61 |
| Resistor, 1206, 2K74, 1% | MC0.125W12061%2K74 |
| Resistor, 1206, 2K87, 1% | MC0.125W12061%2K87 |
| Resistor, 1206, 3K01, 1% | MC0.125W12061%3K01 |
| Resistor, 1206, 3K16, 1% | MC0.125W12061%3K16 |



# 1206

## Thick Film Chip Resistor



| Description              | Part Number        |
|--------------------------|--------------------|
| Resistor, 1206, 3K32, 1% | MC0.125W12061%3K32 |
| Resistor, 1206, 3K48, 1% | MC0.125W12061%3K48 |
| Resistor, 1206, 3K65, 1% | MC0.125W12061%3K65 |
| Resistor, 1206, 3K83, 1% | MC0.125W12061%3K83 |
| Resistor, 1206, 4K02, 1% | MC0.125W12061%4K02 |
| Resistor, 1206, 4K22, 1% | MC0.125W12061%4K22 |
| Resistor, 1206, 4K42, 1% | MC0.125W12061%4K42 |
| Resistor, 1206, 4K64, 1% | MC0.125W12061%4K64 |
| Resistor, 1206, 4K75, 1% | MC0.125W12061%4K75 |
| Resistor, 1206, 4K87, 1% | MC0.125W12061%4K87 |
| Resistor, 1206, 4K99, 1% | MC0.125W12061%4K99 |
| Resistor, 1206, 5K11, 1% | MC0.125W12061%5K11 |
| Resistor, 1206, 5K36, 1% | MC0.125W12061%5K36 |
| Resistor, 1206, 5K62, 1% | MC0.125W12061%5K62 |
| Resistor, 1206, 5K90, 1% | MC0.125W12061%5K90 |
| Resistor, 1206, 6K04, 1% | MC0.125W12061%6K04 |
| Resistor, 1206, 6K19, 1% | MC0.125W12061%6K19 |
| Resistor, 1206, 6K49, 1% | MC0.125W12061%6K49 |
| Resistor, 1206, 6K81, 1% | MC0.125W12061%6K81 |
| Resistor, 1206, 7K15, 1% | MC0.125W12061%7K15 |
| Resistor, 1206, 7K87, 1% | MC0.125W12061%7K87 |
| Resistor, 1206, 8K25, 1% | MC0.125W12061%8K25 |
| Resistor, 1206, 8K66, 1% | MC0.125W12061%8K66 |
| Resistor, 1206, 9K09, 1% | MC0.125W12061%9K09 |
| Resistor, 1206, 9K53, 1% | MC0.125W12061%9K53 |
| Resistor, 1206, 10K5, 1% | MC0.125W12061%10K5 |
| Resistor, 1206, 11K5, 1% | MC0.125W12061%11K5 |
| Resistor, 1206, 12K1, 1% | MC0.125W12061%12K1 |
| Resistor, 1206, 12K4, 1% | MC0.125W12061%12K4 |
| Resistor, 1206, 12K7, 1% | MC0.125W12061%12K7 |
| Resistor, 1206, 13K3, 1% | MC0.125W12061%13K3 |
| Resistor, 1206, 14K0, 1% | MC0.125W12061%14K0 |
| Resistor, 1206, 14K7, 1% | MC0.125W12061%14K7 |
| Resistor, 1206, 15K4, 1% | MC0.125W12061%15K4 |
| Resistor, 1206, 16K2, 1% | MC0.125W12061%16K2 |
| Resistor, 1206, 16K9, 1% | MC0.125W12061%16K9 |
| Resistor, 1206, 17K8, 1% | MC0.125W12061%17K8 |

| Description              | Part Number        |
|--------------------------|--------------------|
| Resistor, 1206, 18K7, 1% | MC0.125W12061%18K7 |
| Resistor, 1206, 19K6, 1% | MC0.125W12061%19K6 |
| Resistor, 1206, 20K5, 1% | MC0.125W12061%20K5 |
| Resistor, 1206, 21K5, 1% | MC0.125W12061%21K5 |
| Resistor, 1206, 22K6, 1% | MC0.125W12061%22K6 |
| Resistor, 1206, 23K7, 1% | MC0.125W12061%23K7 |
| Resistor, 1206, 24K9, 1% | MC0.125W12061%24K9 |
| Resistor, 1206, 26K1, 1% | MC0.125W12061%26K1 |
| Resistor, 1206, 27K4, 1% | MC0.125W12061%27K4 |
| Resistor, 1206, 28K7, 1% | MC0.125W12061%28K7 |
| Resistor, 1206, 30K1, 1% | MC0.125W12061%30K1 |
| Resistor, 1206, 31K6, 1% | MC0.125W12061%31K6 |
| Resistor, 1206, 33K2, 1% | MC0.125W12061%33K2 |
| Resistor, 1206, 34K8, 1% | MC0.125W12061%34K8 |
| Resistor, 1206, 36K5, 1% | MC0.125W12061%36K5 |
| Resistor, 1206, 38K3, 1% | MC0.125W12061%38K3 |
| Resistor, 1206, 40K2, 1% | MC0.125W12061%40K2 |
| Resistor, 1206, 42K2, 1% | MC0.125W12061%42K2 |
| Resistor, 1206, 44K2, 1% | MC0.125W12061%44K2 |
| Resistor, 1206, 46K4, 1% | MC0.125W12061%46K4 |
| Resistor, 1206, 47K5, 1% | MC0.125W12061%47K5 |
| Resistor, 1206, 48K7, 1% | MC0.125W12061%48K7 |
| Resistor, 1206, 49K9, 1% | MC0.125W12061%49K9 |
| Resistor, 1206, 51K1, 1% | MC0.125W12061%51K1 |
| Resistor, 1206, 53K6, 1% | MC0.125W12061%53K6 |
| Resistor, 1206, 56K2, 1% | MC0.125W12061%56K2 |
| Resistor, 1206, 59K0, 1% | MC0.125W12061%59K0 |
| Resistor, 1206, 61K9, 1% | MC0.125W12061%61K9 |
| Resistor, 1206, 64K9, 1% | MC0.125W12061%64K9 |
| Resistor, 1206, 68K1, 1% | MC0.125W12061%68K1 |
| Resistor, 1206, 71K5, 1% | MC0.125W12061%71K5 |
| Resistor, 1206, 78K7, 1% | MC0.125W12061%78K7 |
| Resistor, 1206, 82K5, 1% | MC0.125W12061%82K5 |
| Resistor, 1206, 86K6, 1% | MC0.125W12061%86K6 |
| Resistor, 1206, 90K9, 1% | MC0.125W12061%90K9 |
| Resistor, 1206, 95K3, 1% | MC0.125W12061%95K3 |
| Resistor, 1206, 105K, 1% | MC0.125W12061%105K |

# 1206

## Thick Film Chip Resistor



| Description              | Part Number        |
|--------------------------|--------------------|
| Resistor, 1206, 115K, 1% | MC0.125W12061%115K |
| Resistor, 1206, 121K, 1% | MC0.125W12061%121K |
| Resistor, 1206, 127K, 1% | MC0.125W12061%127K |
| Resistor, 1206, 133K, 1% | MC0.125W12061%133K |
| Resistor, 1206, 140K, 1% | MC0.125W12061%140K |
| Resistor, 1206, 147K, 1% | MC0.125W12061%147K |
| Resistor, 1206, 162K, 1% | MC0.125W12061%162K |
| Resistor, 1206, 169K, 1% | MC0.125W12061%169K |
| Resistor, 1206, 178K, 1% | MC0.125W12061%178K |
| Resistor, 1206, 187K, 1% | MC0.125W12061%187K |
| Resistor, 1206, 205K, 1% | MC0.125W12061%205K |
| Resistor, 1206, 215K, 1% | MC0.125W12061%215K |
| Resistor, 1206, 226K, 1% | MC0.125W12061%226K |
| Resistor, 1206, 237K, 1% | MC0.125W12061%237K |
| Resistor, 1206, 249K, 1% | MC0.125W12061%249K |
| Resistor, 1206, 261K, 1% | MC0.125W12061%261K |
| Resistor, 1206, 274K, 1% | MC0.125W12061%274K |
| Resistor, 1206, 287K, 1% | MC0.125W12061%287K |
| Resistor, 1206, 301K, 1% | MC0.125W12061%301K |
| Resistor, 1206, 316K, 1% | MC0.125W12061%316K |
| Resistor, 1206, 332K, 1% | MC0.125W12061%332K |
| Resistor, 1206, 348K, 1% | MC0.125W12061%348K |
| Resistor, 1206, 365K, 1% | MC0.125W12061%365K |
| Resistor, 1206, 383K, 1% | MC0.125W12061%383K |
| Resistor, 1206, 402K, 1% | MC0.125W12061%402K |
| Resistor, 1206, 422K, 1% | MC0.125W12061%422K |
| Resistor, 1206, 442K, 1% | MC0.125W12061%442K |
| Resistor, 1206, 464K, 1% | MC0.125W12061%464K |
| Resistor, 1206, 487K, 1% | MC0.125W12061%487K |
| Resistor, 1206, 499K, 1% | MC0.125W12061%499K |
| Resistor, 1206, 511K, 1% | MC0.125W12061%511K |
| Resistor, 1206, 536K, 1% | MC0.125W12061%536K |
| Resistor, 1206, 562K, 1% | MC0.125W12061%562K |
| Resistor, 1206, 590K, 1% | MC0.125W12061%590K |
| Resistor, 1206, 619K, 1% | MC0.125W12061%619K |
| Resistor, 1206, 649K, 1% | MC0.125W12061%649K |
| Resistor, 1206, 681K, 1% | MC0.125W12061%681K |

| Description              | Part Number        |
|--------------------------|--------------------|
| Resistor, 1206, 715K, 1% | MC0.125W12061%715K |
| Resistor, 1206, 787K, 1% | MC0.125W12061%787K |
| Resistor, 1206, 825K, 1% | MC0.125W12061%825K |
| Resistor, 1206, 866K, 1% | MC0.125W12061%866K |
| Resistor, 1206, 909K, 1% | MC0.125W12061%909K |
| Resistor, 1206, 953K, 1% | MC0.125W12061%953K |
| Resistor, 1206, 1M10, 1% | MC0.125W12061%1M10 |
| Resistor, 1206, 1M15, 1% | MC0.125W12061%1M15 |
| Resistor, 1206, 1M20, 1% | MC0.125W12061%1M20 |
| Resistor, 1206, 1M21, 1% | MC0.125W12061%1M21 |
| Resistor, 1206, 1M30, 1% | MC0.125W12061%1M30 |
| Resistor, 1206, 1M40, 1% | MC0.125W12061%1M40 |
| Resistor, 1206, 1M47, 1% | MC0.125W12061%1M47 |
| Resistor, 1206, 1M50, 1% | MC0.125W12061%1M50 |
| Resistor, 1206, 1M60, 1% | MC0.125W12061%1M60 |
| Resistor, 1206, 1M62, 1% | MC0.125W12061%1M62 |
| Resistor, 1206, 1M69, 1% | MC0.125W12061%1M69 |
| Resistor, 1206, 1M78, 1% | MC0.125W12061%1M78 |
| Resistor, 1206, 1M80, 1% | MC0.125W12061%1M80 |
| Resistor, 1206, 2M00, 1% | MC0.125W12061%2M00 |
| Resistor, 1206, 2M20, 1% | MC0.125W12061%2M20 |
| Resistor, 1206, 2M26, 1% | MC0.125W12061%2M26 |
| Resistor, 1206, 2M40, 1% | MC0.125W12061%2M40 |
| Resistor, 1206, 2M61, 1% | MC0.125W12061%2M61 |
| Resistor, 1206, 2M70, 1% | MC0.125W12061%2M70 |
| Resistor, 1206, 2M74, 1% | MC0.125W12061%2M74 |
| Resistor, 1206, 2M87, 1% | MC0.125W12061%2M87 |
| Resistor, 1206, 3M00, 1% | MC0.125W12061%3M00 |
| Resistor, 1206, 3M01, 1% | MC0.125W12061%3M01 |
| Resistor, 1206, 3M16, 1% | MC0.125W12061%3M16 |
| Resistor, 1206, 3M30, 1% | MC0.125W12061%3M30 |
| Resistor, 1206, 3M32, 1% | MC0.125W12061%3M32 |
| Resistor, 1206, 3M48, 1% | MC0.125W12061%3M48 |
| Resistor, 1206, 3M60, 1% | MC0.125W12061%3M60 |
| Resistor, 1206, 3M65, 1% | MC0.125W12061%3M65 |
| Resistor, 1206, 3M83, 1% | MC0.125W12061%3M83 |
| Resistor, 1206, 3M90, 1% | MC0.125W12061%3M90 |

# 1206

## Thick Film Chip Resistor



| Description              | Part Number            |
|--------------------------|------------------------|
| Resistor, 1206, 4M02, 1% | MC0.125W12061%4M02     |
| Resistor, 1206, 4M30, 1% | MC0.125W12061%4M30     |
| Resistor, 1206, 4M70, 1% | MC0.125W12061%4M70     |
| Resistor, 1206, 4M87, 1% | MC0.125W12061%4M87     |
| Resistor, 1206, 5M10, 1% | MC0.125W12061%5M10     |
| Resistor, 1206, 5M11, 1% | MC0.125W12061%5M11     |
| Resistor, 1206, 5M36, 1% | MC0.125W12061%5M36     |
| Resistor, 1206, 5M60, 1% | MC0.125W12061%5M60     |
| Resistor, 1206, 6M19, 1% | MC0.125W12061%6M19     |
| Resistor, 1206, 6M20, 1% | MC0.125W12061%6M20     |
| Resistor, 1206, 6M80, 1% | MC0.125W12061%6M80     |
| Resistor, 1206, 6M81, 1% | MC0.125W12061%6M81     |
| Resistor, 1206, 7M50, 1% | MC0.125W12061%7M50     |
| Resistor, 1206, 8M20, 1% | MC0.125W12061%8M20     |
| Resistor, 1206, 9M10, 1% | MC0.125W12061%9M10     |
| Resistor, 1206, 10M0, 1% | MC0.125W12061%10M0     |
| Resistor, 1206 100R      | MC 0.125W 1206 1% 100R |
| Resistor, 1206 1K        | MC 0.125W 1206 1% 1K   |
| Resistor, 10K, 125MW, 1% | MC 0.125W 1206 1% 10K  |
| Resistor, 1206 100K      | MC 0.125W 1206 1% 100K |
| Resistor, 1206 1M        | MC 0.125W 1206 1% 1M   |
| Resistor, 1206 10R       | MC 0.125W 1206 1% 10R  |
| Resistor, 1206 110R      | MC 0.125W 1206 1% 110R |
| Resistor, 1206 1K1       | MC 0.125W 1206 1% 1K1  |
| Resistor, 1206 11K       | MC 0.125W 1206 1% 11K  |
| Resistor, 1206 110K      | MC 0.125W 1206 1% 110K |
| Resistor, 1206 11R       | MC 0.125W 1206 1% 11R  |
| Resistor, 1206 120R      | MC 0.125W 1206 1% 120R |
| Resistor, 1206 1K2       | MC 0.125W 1206 1% 1K2  |
| Resistor, 1206 12K       | MC 0.125W 1206 1% 12K  |
| Resistor, 1206 120K      | MC 0.125W 1206 1% 120K |
| Resistor, 1206 12R       | MC 0.125W 1206 1% 12R  |
| Resistor, 1206 130R      | MC 0.125W 1206 1% 130R |
| Resistor, 1206 1K3       | MC 0.125W 1206 1% 1K3  |
| Resistor, 1206 13K       | MC 0.125W 1206 1% 13K  |
| Resistor, 1206 130K      | MC 0.125W 1206 1% 130K |
| Resistor, 1206 150R      | MC 0.125W 1206 1% 150R |
| Resistor, 1206 1K5       | MC 0.125W 1206 1% 1K5  |

| Description                    | Part Number            |
|--------------------------------|------------------------|
| Resistor, 1206 15K             | MC 0.125W 1206 1% 15K  |
| Resistor, 1206 150K            | MC 0.125W 1206 1% 150K |
| Resistor, 1206 15R             | MC 0.125W 1206 1% 15R  |
| Resistor, 1206 160R            | MC 0.125W 1206 1% 160R |
| Resistor, 1206 1K6             | MC 0.125W 1206 1% 1K6  |
| Resistor, 1206 16K             | MC 0.125W 1206 1% 16K  |
| Resistor, 1206 160K            | MC 0.125W 1206 1% 160K |
| Resistor, 1206 16R             | MC 0.125W 1206 1% 16R  |
| Resistor, 1206 180R            | MC 0.125W 1206 1% 180R |
| Resistor, 1206 1K8             | MC 0.125W 1206 1% 1K8  |
| Resistor, 1206 18K             | MC 0.125W 1206 1% 18K  |
| Resistor, 1206 180K            | MC 0.125W 1206 1% 180K |
| Resistor, 1206 18R             | MC 0.125W 1206 1% 18R  |
| Resistor, 1206 200R            | MC 0.125W 1206 1% 200R |
| Resistor, 1206 2K              | MC 0.125W 1206 1% 2K   |
| Resistor, 1206 20K             | MC 0.125W 1206 1% 20K  |
| Resistor, 1206 200K            | MC 0.125W 1206 1% 200K |
| Resistor, 1206 20R             | MC 0.125W 1206 1% 20R  |
| Resistor, 1206 220R            | MC 0.125W 1206 1% 220R |
| Resistor, 1206, 2K2, 1%, 125MW | MC 0.125W 1206 1% 2K2  |
| Resistor, 1206 22K             | MC 0.125W 1206 1% 22K  |
| Resistor, 1206 220K            | MC 0.125W 1206 1% 220K |
| Resistor, 1206 22R             | MC 0.125W 1206 1% 22R  |
| Resistor, 1206 240R            | MC 0.125W 1206 1% 240R |
| Resistor, 1206 2K4             | MC 0.125W 1206 1% 2K4  |
| Resistor, 1206 24K             | MC 0.125W 1206 1% 24K  |
| Resistor, 1206 240K            | MC 0.125W 1206 1% 240K |
| Resistor, 1206 24R             | MC 0.125W 1206 1% 24R  |
| Resistor, 1206 270R            | MC 0.125W 1206 1% 270R |
| Resistor, 1206 2K7             | MC 0.125W 1206 1% 2K7  |
| Resistor, 1206 27K             | MC 0.125W 1206 1% 27K  |
| Resistor, 1206 270K            | MC 0.125W 1206 1% 270K |
| Resistor, 1206 27R             | MC 0.125W 1206 1% 27R  |
| Resistor, 1206 300R            | MC 0.125W 1206 1% 300R |
| Resistor, 1206 3K              | MC 0.125W 1206 1% 3K   |
| Resistor, 1206 30K             | MC 0.125W 1206 1% 30K  |

# 1206

## Thick Film Chip Resistor



| Description         | Part Number            |
|---------------------|------------------------|
| Resistor, 1206 300K | MC 0.125W 1206 1% 300K |
| Resistor, 1206 30R  | MC 0.125W 1206 1% 30R  |
| Resistor, 1206 330R | MC 0.125W 1206 1% 330R |
| Resistor, 1206 3K3  | MC 0.125W 1206 1% 3K3  |
| Resistor, 1206 33K  | MC 0.125W 1206 1% 33K  |
| Resistor, 1206 330K | MC 0.125W 1206 1% 330K |
| Resistor, 1206 33R  | MC 0.125W 1206 1% 33R  |
| Resistor, 1206 360R | MC 0.125W 1206 1% 360R |
| Resistor, 1206 3K6  | MC 0.125W 1206 1% 3K6  |
| Resistor, 1206 36K  | MC 0.125W 1206 1% 36K  |
| Resistor, 1206 360K | MC 0.125W 1206 1% 360K |
| Resistor, 1206 36R  | MC 0.125W 1206 1% 36R  |
| Resistor, 1206 390R | MC 0.125W 1206 1% 390R |
| Resistor, 1206 3K9  | MC 0.125W 1206 1% 3K9  |
| Resistor, 1206 39K  | MC 0.125W 1206 1% 39K  |
| Resistor, 1206 390K | MC 0.125W 1206 1% 390K |
| Resistor, 1206 39R  | MC 0.125W 1206 1% 39R  |
| Resistor, 1206 430R | MC 0.125W 1206 1% 430R |
| Resistor, 1206 4K3  | MC 0.125W 1206 1% 4K3  |
| Resistor, 1206 43K  | MC 0.125W 1206 1% 43K  |
| Resistor, 1206 430K | MC 0.125W 1206 1% 430K |
| Resistor, 1206 43R  | MC 0.125W 1206 1% 43R  |
| Resistor, 1206 470R | MC 0.125W 1206 1% 470R |
| Resistor, 1206 4K7  | MC 0.125W 1206 1% 4K7  |
| Resistor, 1206 47K  | MC 0.125W 1206 1% 47K  |
| Resistor, 1206 470K | MC 0.125W 1206 1% 470K |
| Resistor, 1206 47R  | MC 0.125W 1206 1% 47R  |
| Resistor, 1206 510R | MC 0.125W 1206 1% 510R |
| Resistor, 1206 5K1  | MC 0.125W 1206 1% 5K1  |
| Resistor, 1206 51K  | MC 0.125W 1206 1% 51K  |
| Resistor, 1206 510K | MC 0.125W 1206 1% 510K |
| Resistor, 1206 51R  | MC 0.125W 1206 1% 51R  |

| Description                 | Part Number            |
|-----------------------------|------------------------|
| Resistor, 1206 560R         | MC 0.125W 1206 1% 560R |
| Resistor, 1206 5K6          | MC 0.125W 1206 1% 5K6  |
| Resistor, 1206 56K          | MC 0.125W 1206 1% 56K  |
| Resistor, 1206 560K         | MC 0.125W 1206 1% 560K |
| Resistor, 1206 56R          | MC 0.125W 1206 1% 56R  |
| Resistor, 1206 620R         | MC 0.125W 1206 1% 620R |
| Resistor, 1206 6K2          | MC 0.125W 1206 1% 6K2  |
| Resistor, 1206 62K          | MC 0.125W 1206 1% 62K  |
| Resistor, 1206 620K         | MC 0.125W 1206 1% 620K |
| Resistor, 1206 62R          | MC 0.125W 1206 1% 62R  |
| Resistor, 1206 680R         | MC 0.125W 1206 1% 680R |
| Resistor, 1206 6K8          | MC 0.125W 1206 1% 6K8  |
| Resistor, 1206 68K          | MC 0.125W 1206 1% 68K  |
| Resistor, 1206 680K         | MC 0.125W 1206 1% 680K |
| Resistor, 1206 68R          | MC 0.125W 1206 1% 68R  |
| Resistor, 1206 750R         | MC 0.125W 1206 1% 750R |
| Resistor, 1206 7K5          | MC 0.125W 1206 1% 7K5  |
| Resistor, 1206 75K          | MC 0.125W 1206 1% 75K  |
| Resistor, 1206 750K         | MC 0.125W 1206 1% 750K |
| Resistor, 1206 75R          | MC 0.125W 1206 1% 75R  |
| Resistor, 1206 820R         | MC 0.125W 1206 1% 820R |
| Resistor, 1206 8K2          | MC 0.125W 1206 1% 8K2  |
| Resistor, 1206 82K          | MC 0.125W 1206 1% 82K  |
| Resistor, 1206 820K         | MC 0.125W 1206 1% 820K |
| Resistor, 1206 82R          | MC 0.125W 1206 1% 82R  |
| Resistor, 1206 910R         | MC 0.125W 1206 1% 910R |
| Resistor, 1206 9K1          | MC 0.125W 1206 1% 9K1  |
| Resistor, 1206 91K          | MC 0.125W 1206 1% 91K  |
| Resistor, 1206 910K         | MC 0.125W 1206 1% 910K |
| Resistor, 1206 91R          | MC 0.125W 1206 1% 91R  |
| Resistor KIT, 1206, E24, 1% | 1206W8FE240KIT         |
| Resistor KIT, 1206 E24 1%   | 1206W8FE240KIT.        |

**Important Notice** : This data sheet and its contents (the "Information") belong to the members of the Premier Farnell group of companies (the "Group") or are licensed to it. No licence is granted for the use of it other than for information purposes in connection with the products to which it relates. No licence of any intellectual property rights is granted. The Information is subject to change without notice and replaces all data sheets previously supplied. The Information supplied is believed to be accurate but the Group assumes no responsibility for its accuracy or completeness, any error in or omission from it or for any use made of it. Users of this data sheet should check for themselves the Information and the suitability of the products for their purpose and not make any assumptions based on information included or omitted. Liability for loss or damage resulting from any reliance on the Information or use of it (including liability resulting from negligence or where the Group was aware of the possibility of such loss or damage arising) is excluded. This will not operate to limit or restrict the Group's liability for death or personal injury resulting from its negligence. Multicomp is the registered trademark of the Group. © Premier Farnell plc 2012.

[MC0125W120614R](#) [MC0125W120618R](#)  
[70](#) [25](#)

**EN** - For pricing and availability in your local country please visit one of the below links:

**DE** - Informationen zu Preisen und Verfügbarkeit in Ihrem Land erhalten Sie über die unten aufgeführten Links:

**FR** - Pour connaître les tarifs et la disponibilité dans votre pays, cliquez sur l'un des liens suivants:

[MC0125W1206127](#) [MC0125W120612R](#) [MC0125W120613K](#) [MC0125W120611K](#) [MC0125W1206133](#)  
[R](#) [20](#) [16](#) [5](#) [0K](#)

**EN**  
This Datasheet is presented by  
the manufacturer

**DE**  
Dieses Datenblatt wird vom  
Hersteller bereitgestellt

**FR**  
Cette fiche technique est  
présentée par le fabricant