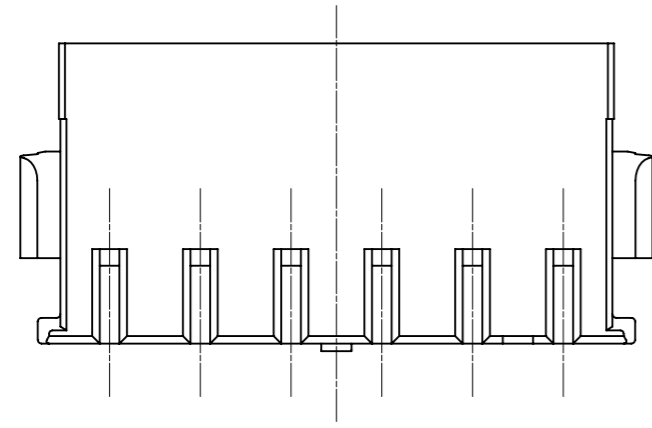
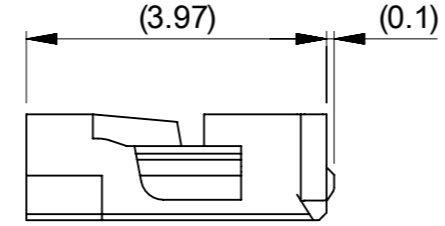
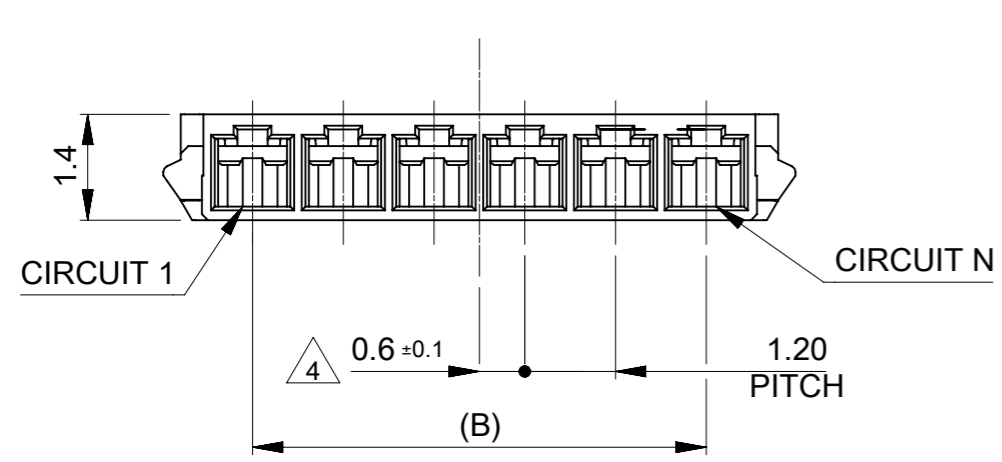
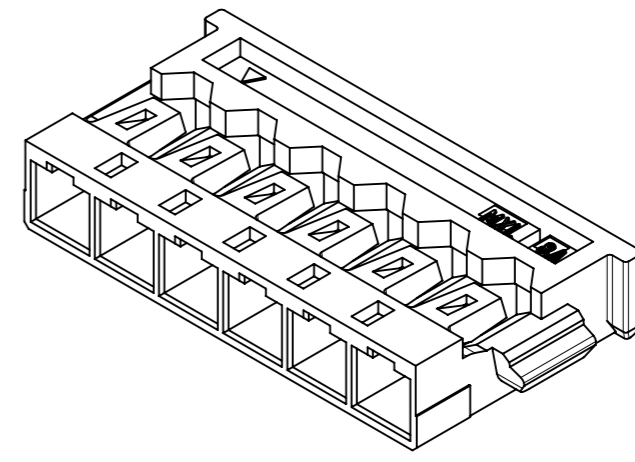
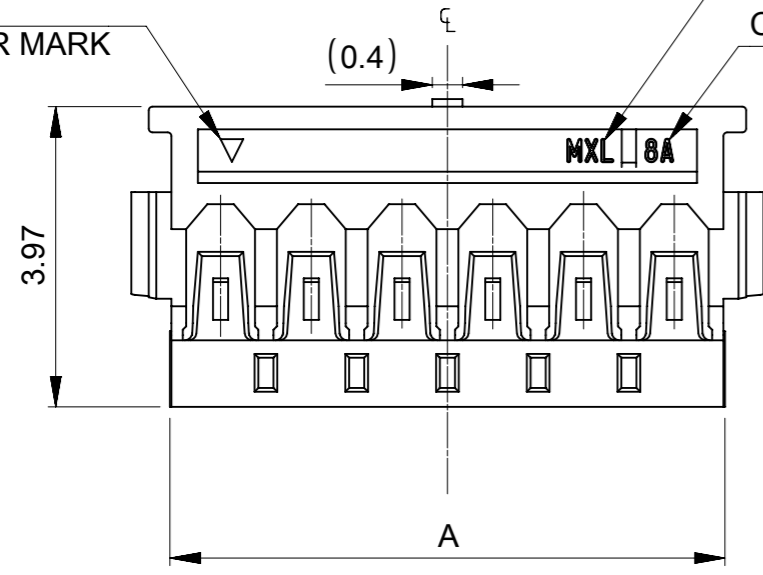


CIRCUIT 1  
INDICATOR MARK

トレードマーク  
TRADE MARK  
CAV & MOLD No



NOTES

- 1 材料：TABLE 1 参照  
MATERIAL：SEE TABLE 1
- 2 適合製品及び各種仕様書はSHEET 2をご参考ください。  
PLEASE REFER TO SHEET 2 FOR APPLICABLE PRODUCTS AND VARIOUS SPECIFICATIONS.
- 3 極数極に適応。  
APPLY FOR EVEN CIRCUIT SIZE.
- 4. ELV及びRoHS適合品。  
ELV & RoHS COMPLIANT.

7.2	8.54	781725007	7
6.0	7.34	781725006	6
B	A	オーダー番号 ORDER No	極数 CIRCUIT SIZE
		梱包形態:ポリ袋 PACKAGING:POLYBAG	

1 TABLE 1

部品 PART	材質 MATERIAL
ハウジング HOUSING	ポリアミド(PA), ガラス充填, UL94 V-0 色 : 黒 POLYAMIDE(PA), GLASS FILLED, UL94 V-0, COLOR: BLACK

THIS DRAWING CONTAINS INFORMATION THAT IS PROPRIETARY TO MOLEX ELECTRONIC TECHNOLOGIES, LLC AND SHOULD NOT BE USED WITHOUT WRITTEN PERMISSION

DIMENSION UNITS mm	SCALE NTS	CURRENT REV DESC: REDRAWN		<b>molex</b>		
GENERAL TOLERANCES (UNLESS SPECIFIED)		EC NO: 677114				
ANGULAR TOL ± 3.0 °	4 PLACES ± 0.2	DRWN: HHUSSIN	2020/09/30	PRODUCT CUSTOMER DRAWING		
3 PLACES ± 0.2	2 PLACES ± 0.2	CHK'D: SAKIYAMA	2022/06/06	DOCUMENT NUMBER		
1 PLACE ± 0.2	0 PLACES ± 0.2	APPR: AIDA	2022/06/07	781720001-SD		
DRAFT WHERE APPLICABLE MUST REMAIN WITHIN DIMENSIONS		INITIAL REVISION: DRWN: HHUSSIN APPR: AIDA		2020/09/30	DOC TYPE PSD	DOC PART 000
THIRD ANGLE PROJECTION		DRAWING A3-SIZE	SERIES 78172	MATERIAL NUMBER SEE CHART	CUSTOMER GENERAL	REVISION A
				SHEET NUMBER 1 OF 2		

