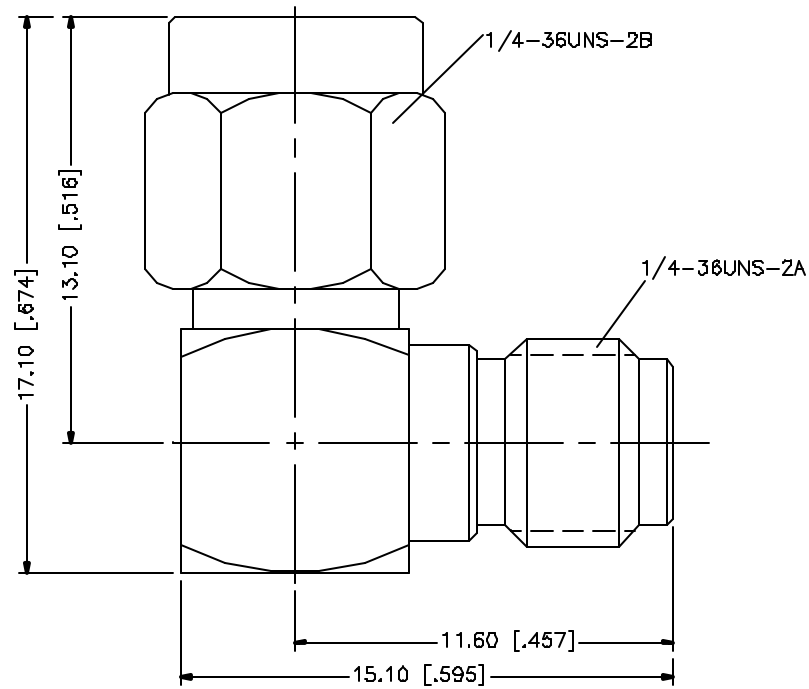


REV.	DATE	DESCRIPTION
NC	08/01/99	INITIAL RELEASE
A	05/01/04	UPDATE DRAWING FORMAT



REV.	DESCRIPTION	MATERIAL	FINISH	QTY	UNLESS OTHERWISE SPECIFIED DIMENSIONS ARE IN MILLIMETERS DIMENSIONS IN [] ARE IN INCHES AND FOR CUSTOMER REFERENCE ONLY.	APPROVALS	DATE	Amphenol Connex							
8								PART DESCRIPTION SMA MALE TO FEMALE R/A ADAPTOR							
7															
6															
5															
4	CONTACT PIN	BER. COPPER	GOLD	1	UNLESS OTHERWISE SPECIFIED TOLERANCES FOR MILLIMETERS ARE: 0.5 - 8mm ± 0.20mm 8 - 30mm ± 0.40mm 30 - 120mm ± 0.50mm	DRAWN	G.R.S.	05/01/04	PART NO. 132172						
3	CONTACT PIN	BRASS	GOLD	1	UNLESS OTHERWISE SPECIFIED TOLERANCES FOR INCHES ARE: .020 - .315 = ± 0.007" .315 - 1.180 = ± 0.015" 1.180 - 4.724 = ± 0.020"	CHECKED									
2	INSULATOR	TEFLON	NATURAL	1		ISSUED									
1	HOUSING/BODY	BRASS	GOLD	1		SHEET	1 OF 1								
	DESCRIPTION	MATERIAL	FINISH	QTY	DO NOT SCALE DRAWING	CAD FILE	C:/132/132172.DWG	DWG. NO.	132172.DWG	REV.	A	SIZE	A	SCALE	NA

Mouser Electronics

Authorized Distributor

Click to View Pricing, Inventory, Delivery & Lifecycle Information:

[Amphenol:](#)

[132172](#)