

NOTES

- ① 材料及び仕上げ(めっき仕様) : TABLE 1 参照
MATERIAL AND FINISHES : SEE TABLE 1
- 2. 梱包形態 : SHEET 3 参照
PACKAGING INFORMATION : SEE SHEET 3
- ③ 嵌合相手 : 78172 シリーズ
MATES WITH:78172 SERIES
- 4. 製品仕様書 : 781720000-PS PS 000
PRODUCT SPECIFICATION:781720000-PS PS 000
- 5. アプリケーション仕様書(コネクタ取扱い説明書) : AS-78172-001
APPLICATION SPECIFICATION(CONNECTOR MANUAL): AS-78172-001
- 6. 端子テール部及びネイルの平坦度:0.1 MAX.
TAIL AND NAIL COPLANARITY TO BE 0.1 MAX.
- ⑦ 極数 = 偶数に適応
APPLY FOR CIRCUIT SIZE = EVEN
- 8. ELV及びRoHS適合品。
ELV & RoHS COMPLIANT.
- 9. オーダー番号は以下の内容を示す
ORDER No INDICATES AS BELOW:
78171500*

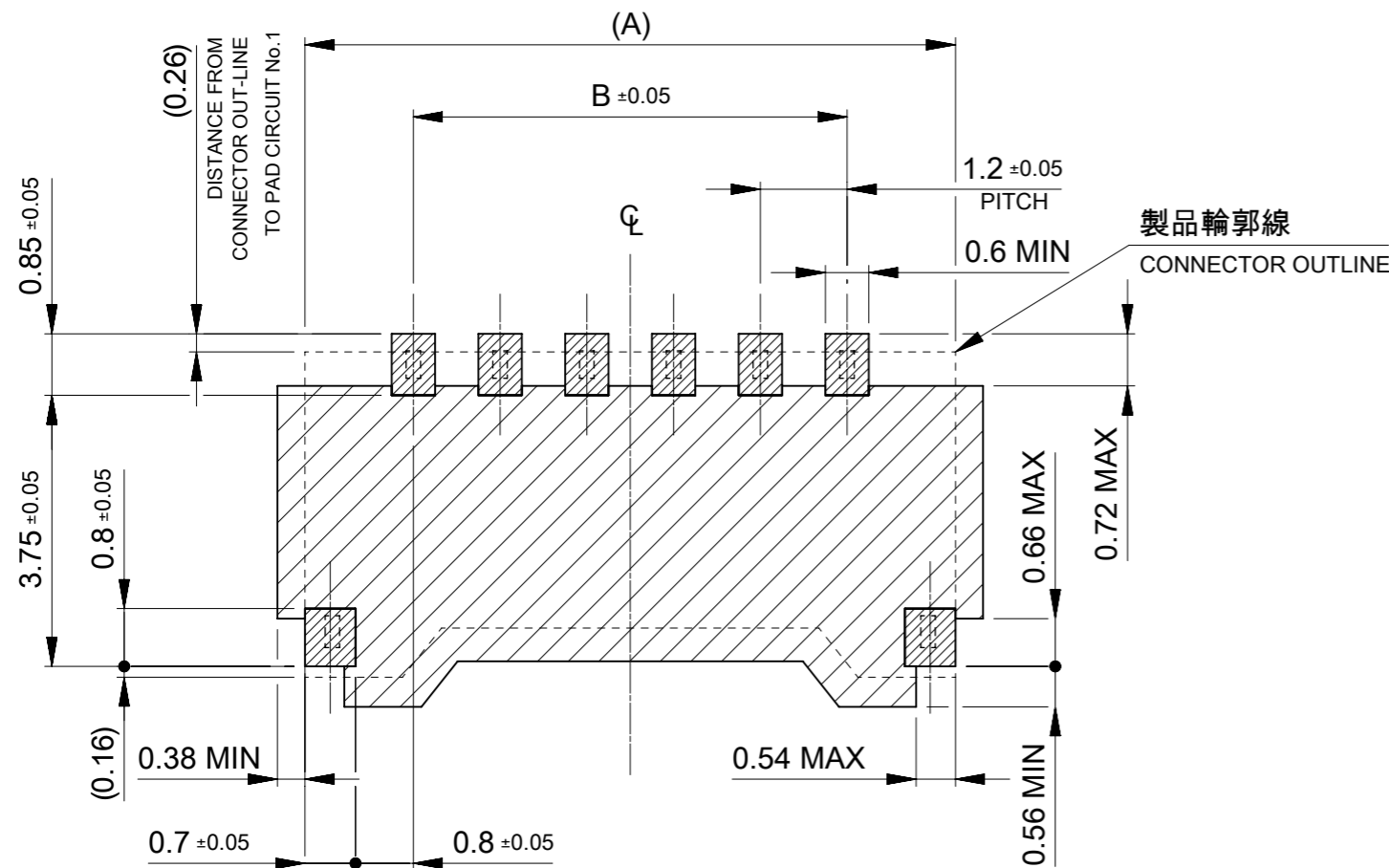
① **TABLE 1**

番号 No.	部品 PART	仕様 SPECIFICATION
①	ハウジング HOUSING	ポリアミド(PA), ガラス充填, UL94 V-0, 色 : 黒 POLYAMIDE(PA), GLASS FILLED, UL94 V-0, COLOR: BLACK
②	ターミナル TERMINAL	材料 MATERIAL
		下地めっき UNDER PLATING
		接点部めっき CONTACT PLATING
③	ネイル NAIL	材料 MATERIAL
		下地めっき UNDER PLATING
		表面めっき SURFACE PLATING
		表面めっき SURFACE PLATING

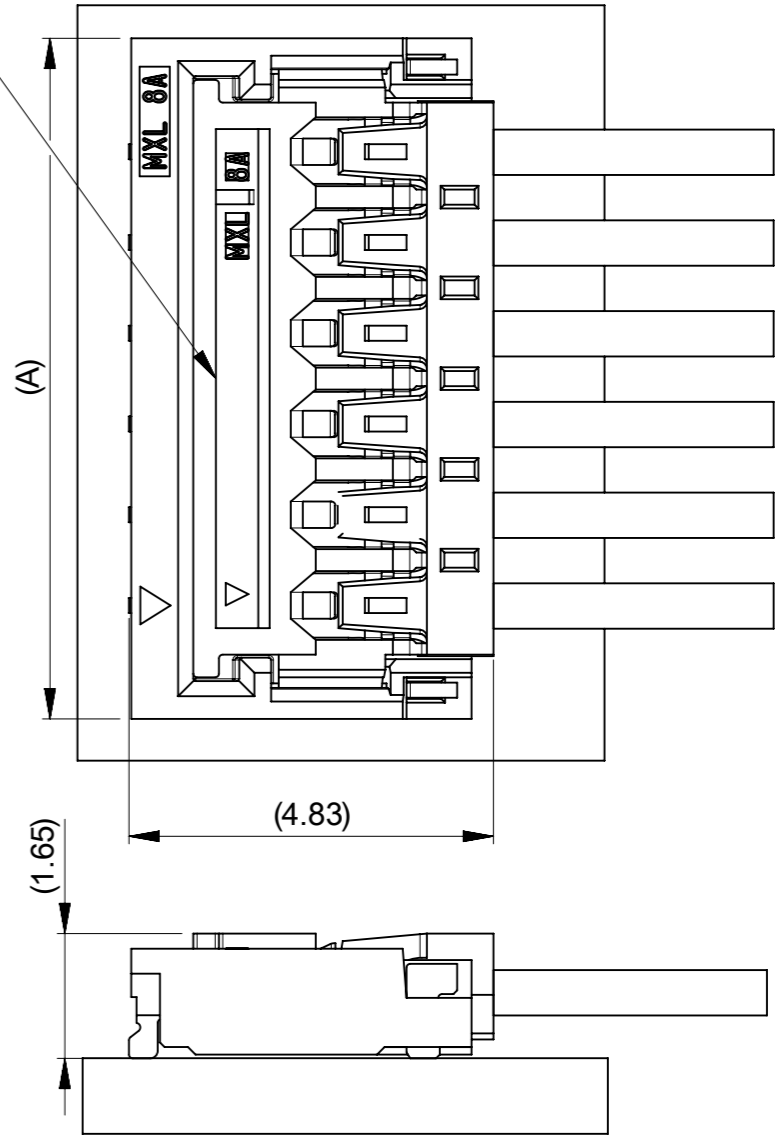
7.8	8.62	7.2	10.2	781715007	7
6.6	7.42	6.0	9	781715006	6
D	C	B	A	オーダー番号 ORDER No	極数 CIRCUIT SIZE

THIS DRAWING CONTAINS INFORMATION THAT IS PROPRIETARY TO MOLEX ELECTRONIC TECHNOLOGIES, LLC AND SHOULD NOT BE USED WITHOUT WRITTEN PERMISSION

DIMENSION UNITS mm	SCALE NTS	CURRENT REV DESC: REDRAWN	molex		
GENERAL TOLERANCES (UNLESS SPECIFIED)					
ANGULAR TOL	± 3.0 °		PICO-EZMATE 1.2 WIRE TO BOARD CONNECTOR 6-7 CKT PLUG ASSEMBLY		
4 PLACES	± 0.2	EC NO: 677110	PRODUCT CUSTOMER DRAWING		
3 PLACES	± 0.2	DRWN: HHUSSIN 2020/09/30	DOCUMENT NUMBER		
2 PLACES	± 0.2	CHK'D: SAKIYAMA 2022/06/06	DOC TYPE DOC PART REVISION		
1 PLACE	± 0.2	APPR: AIDA 2022/06/07	781710001-SD PSD 000 A		
0 PLACES	± 0.2	INITIAL REVISION: DRWN: HHUSSIN 2020/09/30 APPR: AIDA 2022/06/07	MATERIAL NUMBER CUSTOMER SHEET NUMBER		
DRAFT WHERE APPLICABLE MUST REMAIN WITHIN DIMENSIONS		THIRD ANGLE PROJECTION	DRAWING A3-SIZE	SERIES 78171	SEE CHART GENERAL 1 OF 3



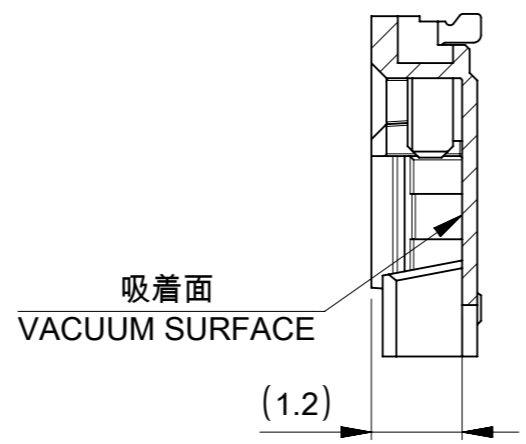
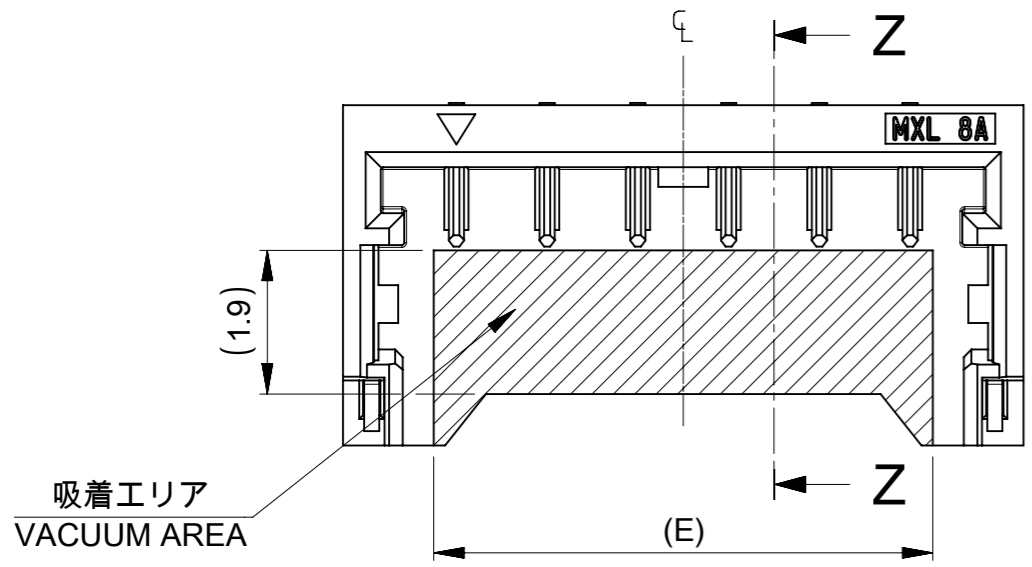
△3 嵌合相手 : 78172シリーズ
MATE WITH : 78172 SERIES



推奨基板レイアウト : 実装面側
(参考 : 基板厚1.0mm、メタルマスク厚さ 0.1mm、マスク開口100%)
RECOMMENDED PCB LAYOUT : COMPONENT SIDE
(REFERENCE:PCB THICKNESS 1.0mm,STENCIL THICKNESS 0.1mm APERTURE RATIO 100%)

パターン非推奨エリア
パターンを引き回す際は、製品機能に影響がないことをご確認ください。
PATTERN IS NOT RECOMMENDED ON THE HATCHED AREA.
PLEASE CHECK NOT TO HAVE PROBLEM FOR PRODUCT FUNCTION
WHEN SETTING PATTERN ON THE HATCHED AREA.

嵌合図
MATED CONNECTORS



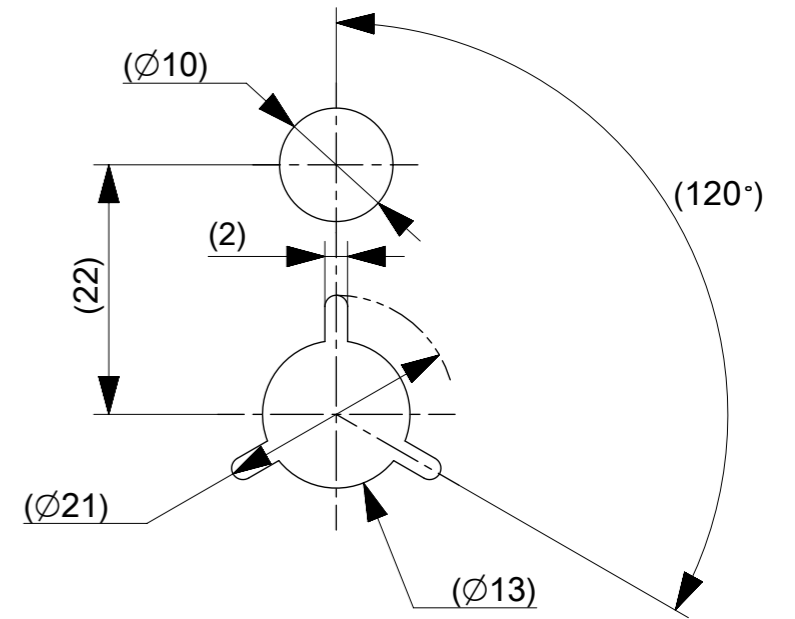
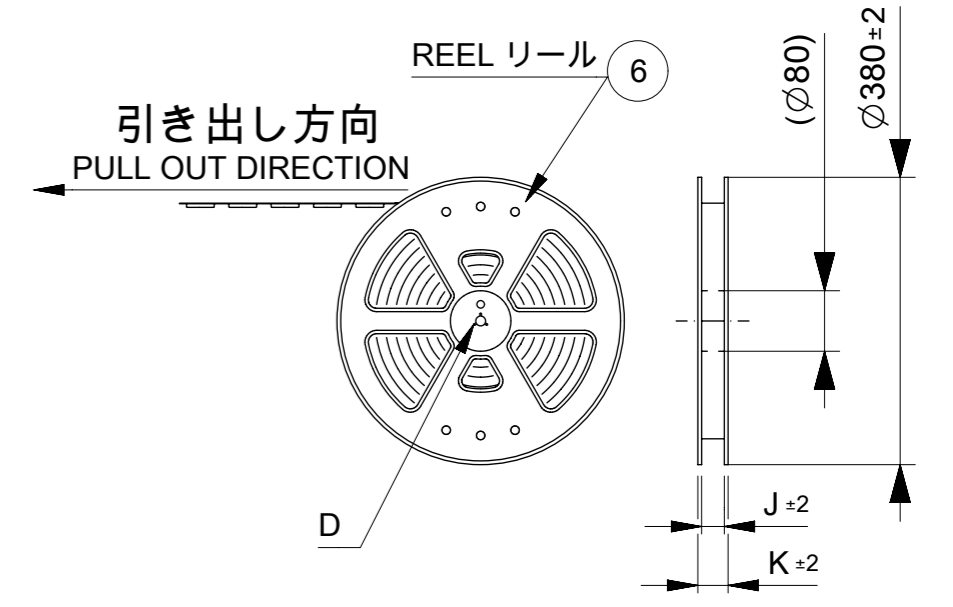
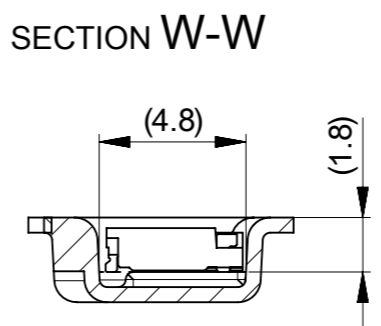
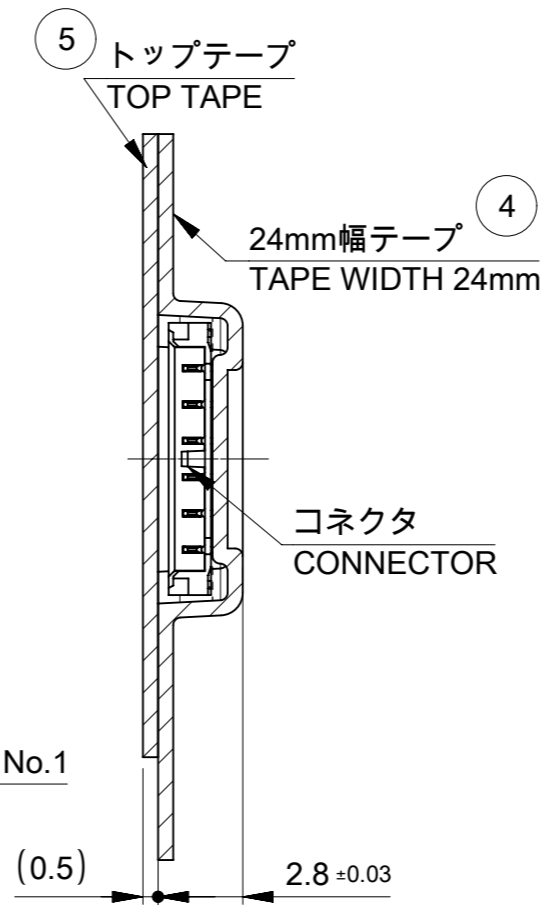
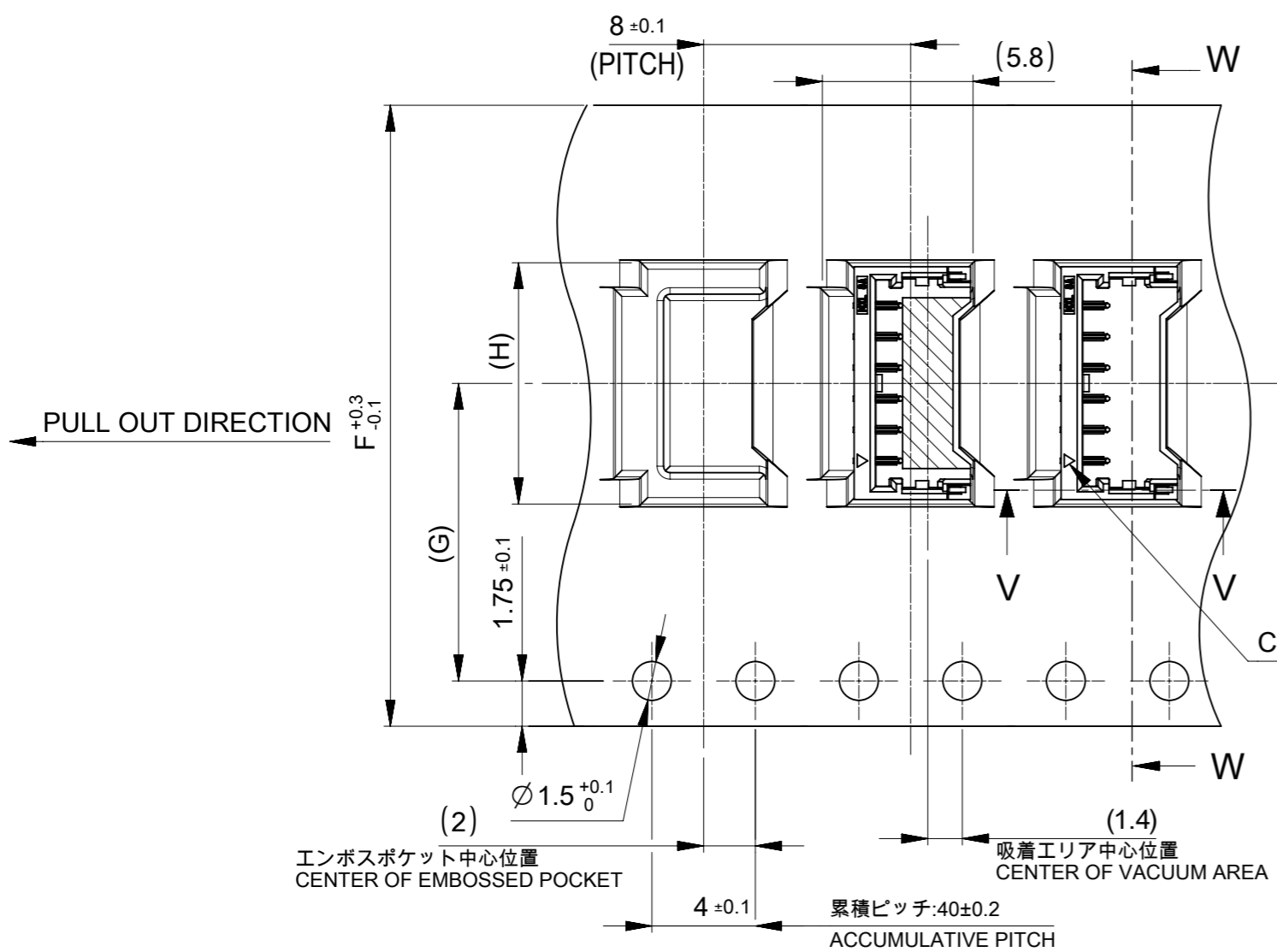
推奨吸着エリア
(RECOMMENDED VACUUM AREA)

SECTION Z-Z

7.8	7
6.6	6
E	極数 CIRCUIT SIZE

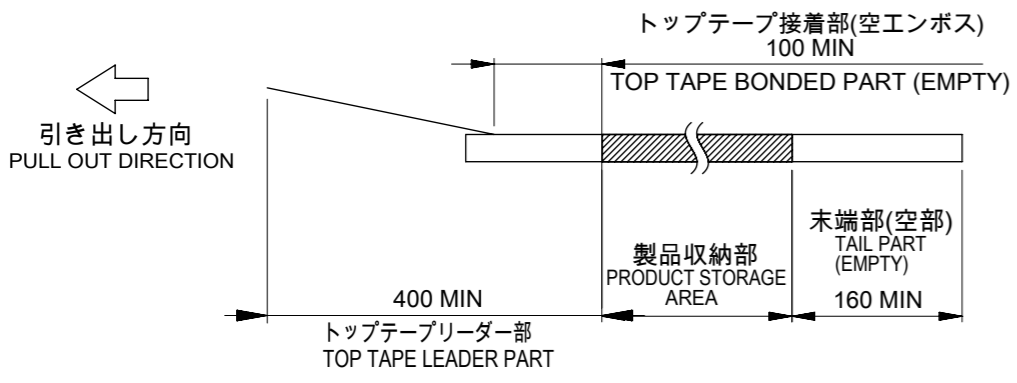
THIS DRAWING CONTAINS INFORMATION THAT IS PROPRIETARY TO MOLEX ELECTRONIC TECHNOLOGIES, LLC AND SHOULD NOT BE USED WITHOUT WRITTEN PERMISSION

DIMENSION UNITS mm	SCALE NTS	CURRENT REV DESC: REDRAWN	molex		
GENERAL TOLERANCES (UNLESS SPECIFIED)					
ANGULAR TOL ± 3.0 °	4 PLACES ± 0.2	EC NO: 677110	PRODUCT CUSTOMER DRAWING		
3 PLACES ± 0.2	2 PLACES ± 0.2	DRWN: HHUSSIN 2020/09/30	DOCUMENT NUMBER		
1 PLACE ± 0.2	0 PLACES ± 0.2	CHK'D: SAKIYAMA 2022/06/06	781710001-SD		
		APPR: AIDA 2022/06/07	DOC TYPE	DOC PART	REVISION
		INITIAL REVISION:			
		DRWN: HHUSSIN 2020/09/30			
		APPR: AIDA 2022/06/07			
DRAFT WHERE APPLICABLE MUST REMAIN WITHIN DIMENSIONS	THIRD ANGLE PROJECTION	DRAWING	SERIES	MATERIAL NUMBER	CUSTOMER
		A3-SIZE	78171	SEE CHART	GENERAL
					SHEET NUMBER
					2 OF 3



NOTES

- 10. 梱包数量 : 4500個/リール
NUMBER OF CONNECTORS : 4500 PIECES/REEL
- 11. リードテープ長さ
LEAD TAPE LENGTH



- 12. エンボステープおよびリールはEIA-481に準拠。
TAPE AND REEL IS DEFINED BY EIA-481.
- 13. トップテープの剥離強度 : IEC60286-3に準拠。
TOP TAPE PEELING FORCE: DEFINED BY IEC60286-3.
- 14. 梱包仕様書 : SPK-78171-002
PACKAGING SPECIFICATION: SPK-78171-002
- 15. 本製品は乾燥材入り、ハイバリア梱包による納品となります。
THIS IS EMBOSSED PACKAGE FOR HIGH BARRIER PACKAGE WITH DESICCANT.

29.4	25.4	10.5	11.5	24	7
		9.3			6
K	J	H	コネクタ中心位置G CENTER OF CONNECTOR	エンボステープ幅F WIDTH OF TAPE	極数 CIRCUIT SIZE

番号 NO.	部品 PART	材質 MATERIAL
4	エンボステープ EMBOSSED TAPE	ポリプロピレン(PP)、その他 POLYPROPYLENE(PP), etc
5	トップテープ TOP TAPE	ポリエチレン(PE)、その他 POLYETHYLENE(PE), etc
6	リール REEL	ポリスチレン(PS) <リサイクル材を含む> POLYSTYRENE(PS) <RECYCLE MATERIAL CONTAINED>

THIS DRAWING CONTAINS INFORMATION THAT IS PROPRIETARY TO MOLEX ELECTRONIC TECHNOLOGIES, LLC AND SHOULD NOT BE USED WITHOUT WRITTEN PERMISSION		CURRENT REV DESC: REDRAWN		molex	
DIMENSION UNITS mm	SCALE NTS				
GENERAL TOLERANCES (UNLESS SPECIFIED)		EC NO: 677110		PRODUCT CUSTOMER DRAWING	
ANGULAR TOL ± 3.0 °		DRWN: HHUSSIN 2020/09/30		DOCUMENT NUMBER	
4 PLACES ± 0.2		CHK'D: SAKIYAMA 2022/06/06		DOC TYPE DOC PART REVISION	
3 PLACES ± 0.2		APPR: AIDA 2022/06/07		781710001-SD PSD 000 A	
2 PLACES ± 0.2		INITIAL REVISION:			
1 PLACE ± 0.2		DRWN: HHUSSIN 2020/09/30			
0 PLACES ± 0.2		APPR: AIDA 2022/06/07			
DRAFT WHERE APPLICABLE MUST REMAIN WITHIN DIMENSIONS		THIRD ANGLE PROJECTION	DRAWING	SERIES	MATERIAL NUMBER
			A3-SIZE	78171	SEE CHART
					CUSTOMER
					GENERAL
					SHEET NUMBER
					3 OF 3