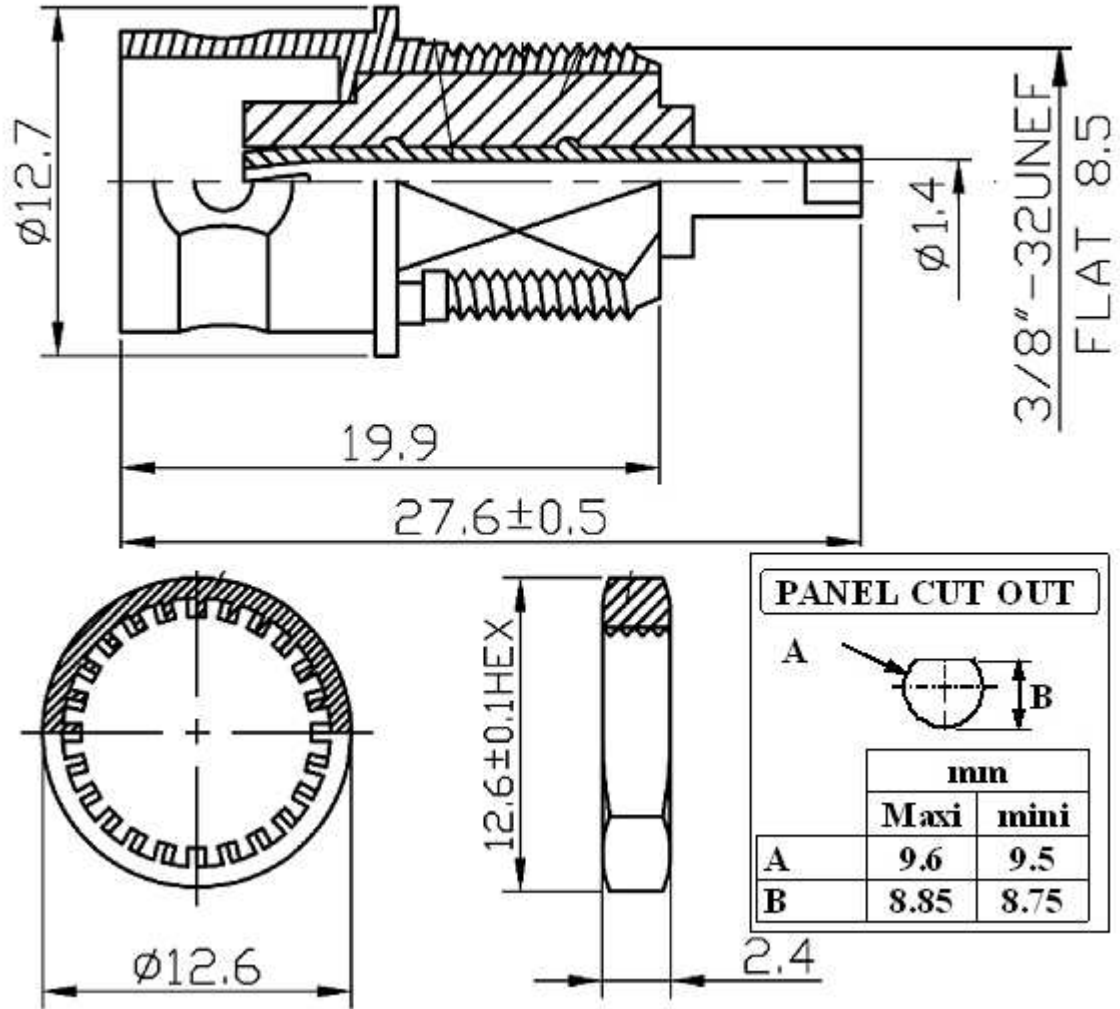


FEMALE BULKHEAD RECEPTACLE FRONT MOUNT.

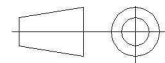
R141.563.161

WITH SOLDER POT CONTACT - PACK 100

Series : BNC-COM



All dimensions are in mm.



COMPONENTS	MATERIALS	PLATING (μm)
BODY	BRASS	NICKEL .
CENTER CONTACT	BRASS	GOLD
OUTER CONTACT	-	-
INSULATOR	DELRIN (POM)	-
GASKET	-	-
OTHERS PARTS	-	-
.	.	.
.	.	.

Issue : 1027 D

In the effort to improve our products, we reserve the right to make changes judged to be necessary.



FEMALE BULKHEAD RECEPTACLE FRONT MOUNT.

R141.563.161

WITH SOLDER POT CONTACT - PACK 100

Series : **BNC-COM**

PACKAGING

SPECIFICATION

Standard	Unit	Other
100	'W' option	Contact us

ELECTRICAL CHARACTERISTICS

ENVIRONMENTAL

Impedance		50 Ω
Frequency		0-1.5 GHz
VSWR	1.2* +	0,0060 x F(GHz) Maxi
Insertion loss		.02* √F(GHz) dB Maxi
RF leakage	- (57 - F(GHz)) dB Maxi
Voltage rating		500 Veff Maxi
Dielectric withstanding voltage		1500 Veff mini
Insulation resistance		5000 MΩ mini

Operating temperature	-35/+70 ° C
Hermetic seal	NA Atm.cm3/s
Panel leakage	NA

OTHER CHARACTERISTICS

Assembly instruction

Others :

* Coaxial Transmission Line Only

MECHANICAL CHARACTERISTICS

Center contact retention		
Axial force – Mating end	15	N mini
Axial force – Opposite end	15	N mini
Torque	NA	N.cm mini
Recommended torque		
Mating	NA	N.cm
Panel nut	250	N.cm
Mating life	500	Cycles mini
Weight	0,0000	g

Issue : 1027 D

In the effort to improve our products, we reserve the right to make changes judged to be necessary.



Mouser Electronics

Authorized Distributor

Click to View Pricing, Inventory, Delivery & Lifecycle Information:

[Radial:](#)

[R141563161](#)