

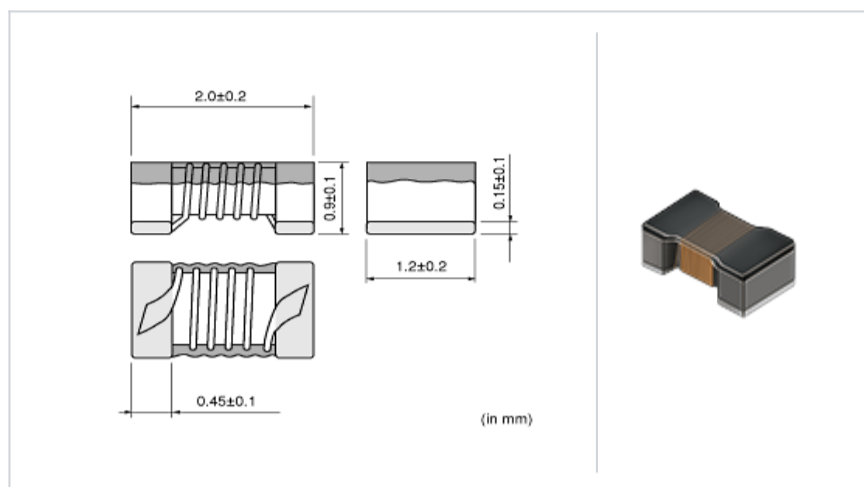
LQW21HNR56J00#

" # " indicates a package specification code.

In Production
General
85 °C
Wound (NoShield) 000
Reflow OK
RoHS
REACH

< List of part numbers with package codes >
 LQW21HNR56J00L , LQW21HNR56J00B

Shape



L size	2.0 ± 0.2mm
W size	1.2 ± 0.2mm
T size	0.9 ± 0.1mm
Size code in inch (mm)	0805 (2012)

Specifications

Inductance	0.56µH ± 5%
Inductance test frequency	10MHz
Rated current (Itemp) (Based on Temperature rise)	150mA
Max. of DC resistance	1.43
Q (min.)	35
Q test frequency	100MHz
Self resonance frequency (min.)	580MHz
Operating temperature range (Self-temperature rise is not included)	-40 ~ 85

References

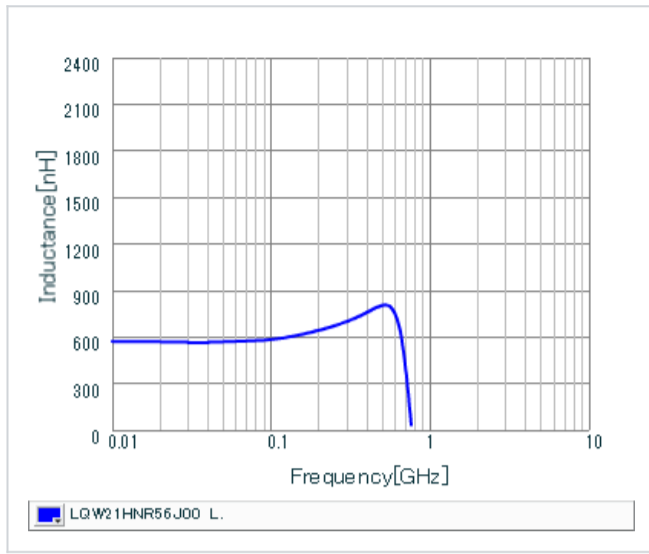
Packaging code	Specifications	Minimum quantity
L	180mm Embossed taping	3000
B	Packing in bulk	500

Mass (Typ.)	
1 piece	0.008g

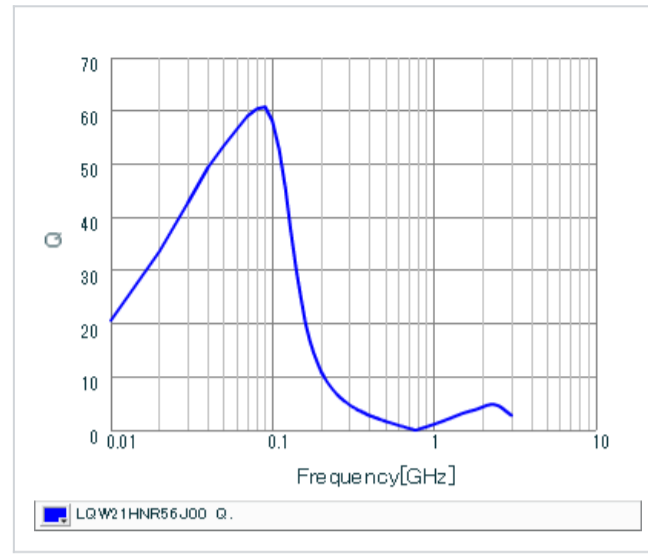
⚠ Attention

- 1.This datasheet is downloaded from the website of Murata Manufacturing Co., Ltd. Therefore, it ' s specifications are subject to change or our products in it may be discontinued without advance notice. Please check with our sales representatives or product engineers before ordering.
- 2.This datasheet has only typical specifications because there is no space for detailed specifications. Therefore, please review our product specifications or consult the approval sheet for product specifications before ordering.

▪ Inductance-Frequency characteristics (Typ.)



▪ Q-Frequency characteristics (Typ.)



This PDF data has only typical specifications because there is no space for detailed specifications. Therefore, please review our product specifications or consult the approval sheet for product specifications before ordering.