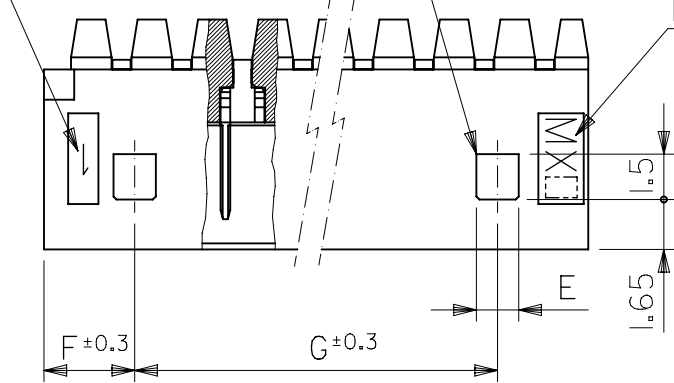
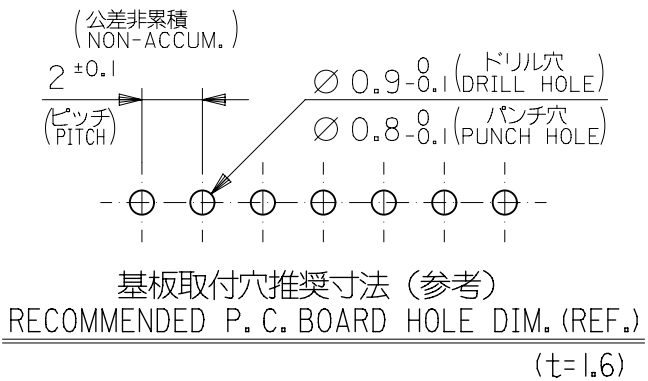
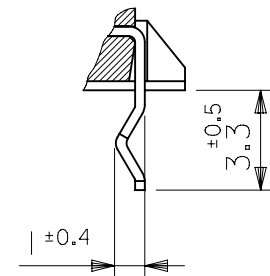


回路番号1
CIRCUIT NO. 1

トレードマーク
TRADE MARK

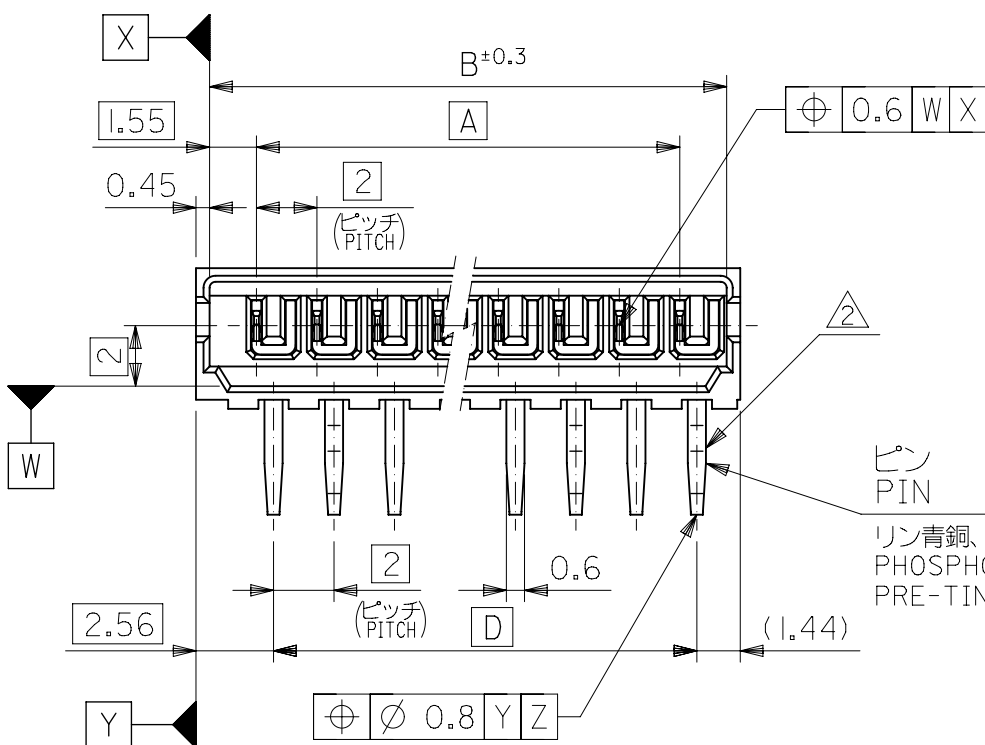


2極品のキンク形態図
KINK FORM FOR 2 CKTS.
両方のテールにキンクを施す。
SOLDER TAIL KINK SHOULD
BE ADDED ON BOTH TAILS.

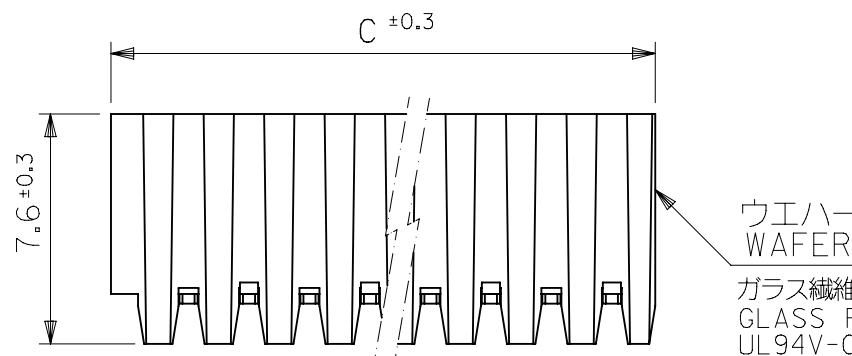
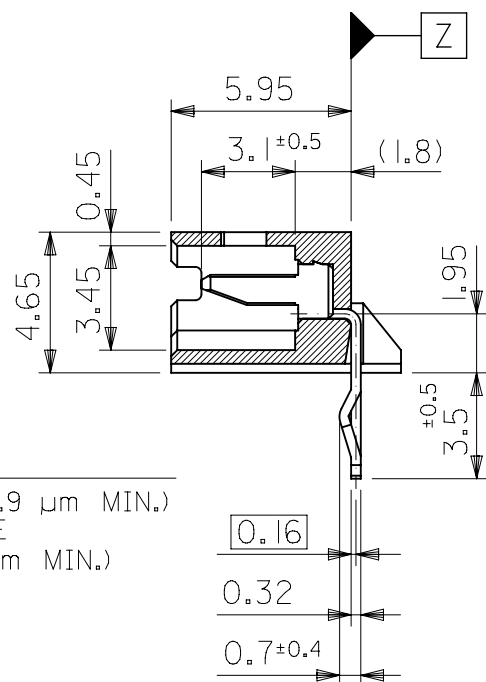


注記 NOTES

1. 嵌合相手 : 51004 シリーズ
MATES WITH : 51004 SERIES
2. 3極以上のキンクは、1極おきに2カ所以上に施すこと。
KINK TO BE ADDED ON THE ODD NUMBER
SOLDER TAILS.(FROM THE TRADE MARK SIDE)
3. ロック穴は、2極と3極は1カ所、4極以上は2カ所とする。
LOCKING HOLE : ONE PLACE FOR 2 AND 3 CKTS.
TWO PLACES FOR 4 AND MORE THAN 4 CKTS.



ピン
PIN
リン青銅、錫メッキ (0.9 μm MIN.)
PHOSPHOR BRONZE
PRE-TINNED(0.9 μm MIN.)



ウエハー
WAFER
ガラス繊維入りナイロン66 (カラー: オフホワイト)
GLASS FIBER FILLED NYLON66 (COLOR: OFF-WHITE)
UL94V-0

16	3	1.4	18	22	21.1	18	53015-1010	10
12	↑	↑	14	18	17.1	14	↑ -0810	8
10	↑	↑	12	16	15.1	12	↑ -0710	7
8	↑	↑	10	14	13.1	10	↑ -0610	6
6	↓	↓	8	12	11.1	8	↓ -0510	5
4	3	1.4	6	10	9.1	6	↓ -0410	4
—	4	3.4	4	8	7.1	4	53015-0310	3
G	F	E	D	C	B	A	ENG. NO.	極数 NO. OF CKTS.

THIS DRAWING CONTAINS INFORMATION THAT IS PROPRIETARY TO MOLEX ELECTRONIC TECHNOLOGIES, LLC AND SHOULD NOT BE USED WITHOUT WRITTEN PERMISSION

DIMENSION UNITS		SCALE		CURRENT REV DESC:				molex					
mm		4:1											
GENERAL TOLERANCES (UNLESS SPECIFIED)				EC NO: 620398				2.0 LOW PROFILE WAFER ASSY R/A					
				DRWN: AKUMAR19 2019/01/07									
				CHK'D: GGA 2019/10/18				PRODUCT CUSTOMER DRAWING					
				APPR: GGA 2019/10/18									
				INITIAL REVISION:				DOCUMENT NUMBER					
				DRWN: H.HIRAMOTO 1993/03/31									
				APPR: M.FUKUSHIMA 1993/03/31				SD-53015-XX10					
				ANGULAR TOL ± °									
DRAFT WHERE APPLICABLE MUST REMAIN WITHIN DIMENSIONS				THIRD ANGLE PROJECTION		DRAWING		SERIES		MATERIAL NUMBER		CUSTOMER	
				A3-SIZE		53015		SEE TABLE		GENERAL MARKET		SHEET NUMBER	

角度 ANGLE	±3°	4 PLACES ±	±
30 以上 OVER	±0.3	3 PLACES ±	±
10 以上 30 未満 UNDER	±0.25	2 PLACES ±	±
10 未満 UNDER	±0.2	1 PLACE ±	±
一般公差 GENERAL TOLERANCES		0 PLACES ±	±