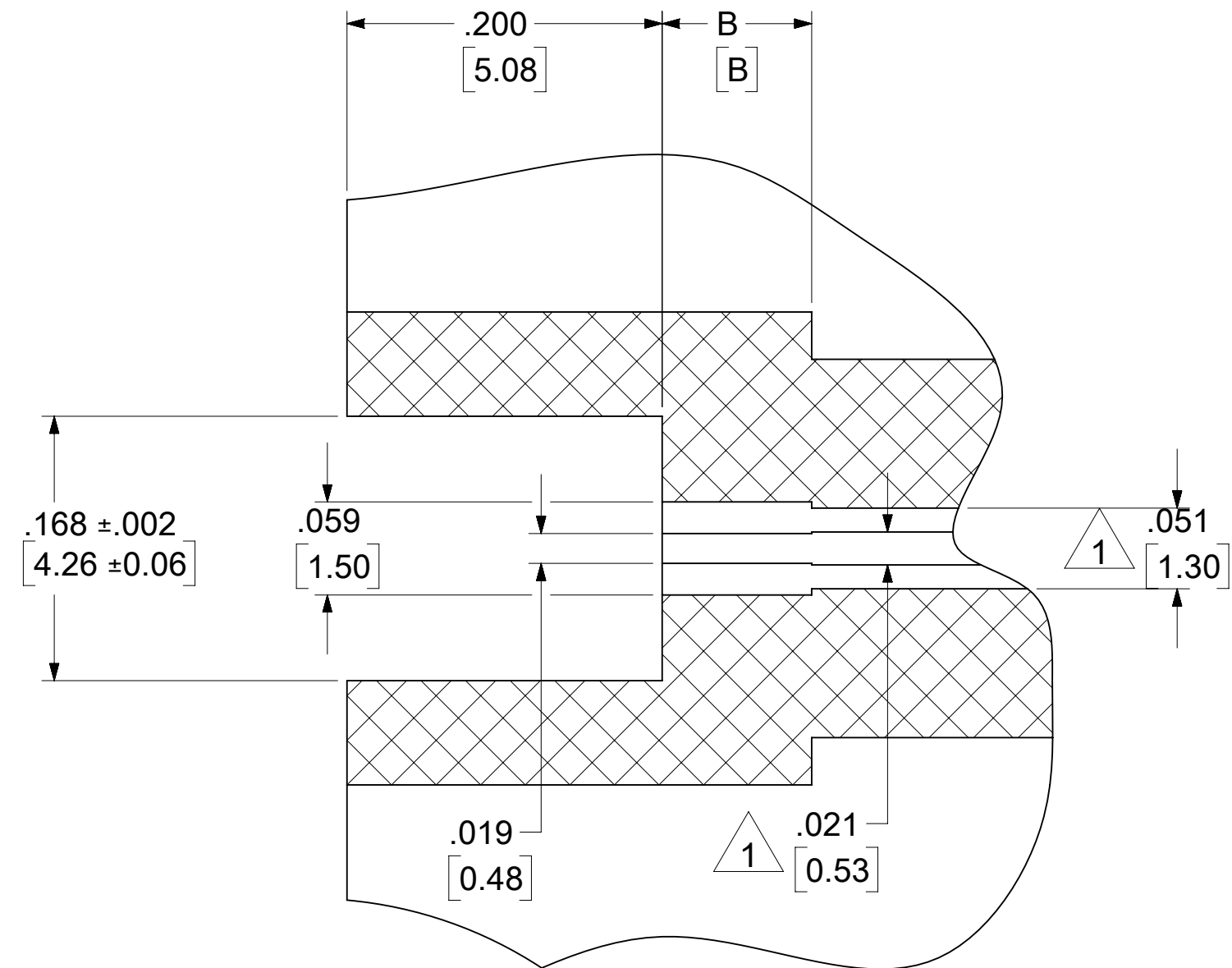
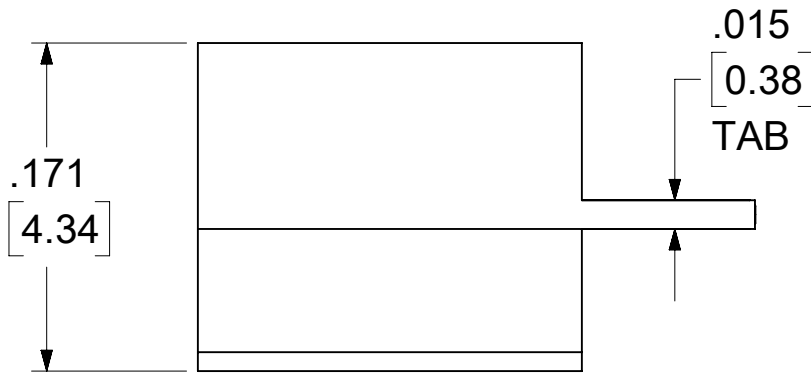
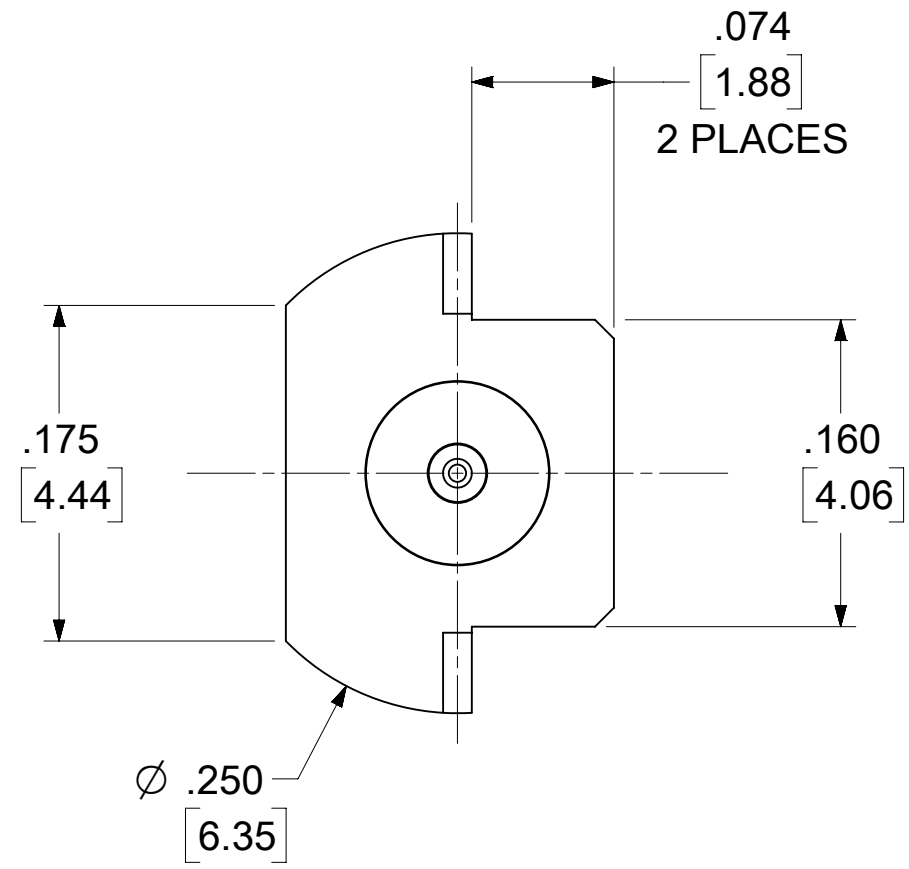
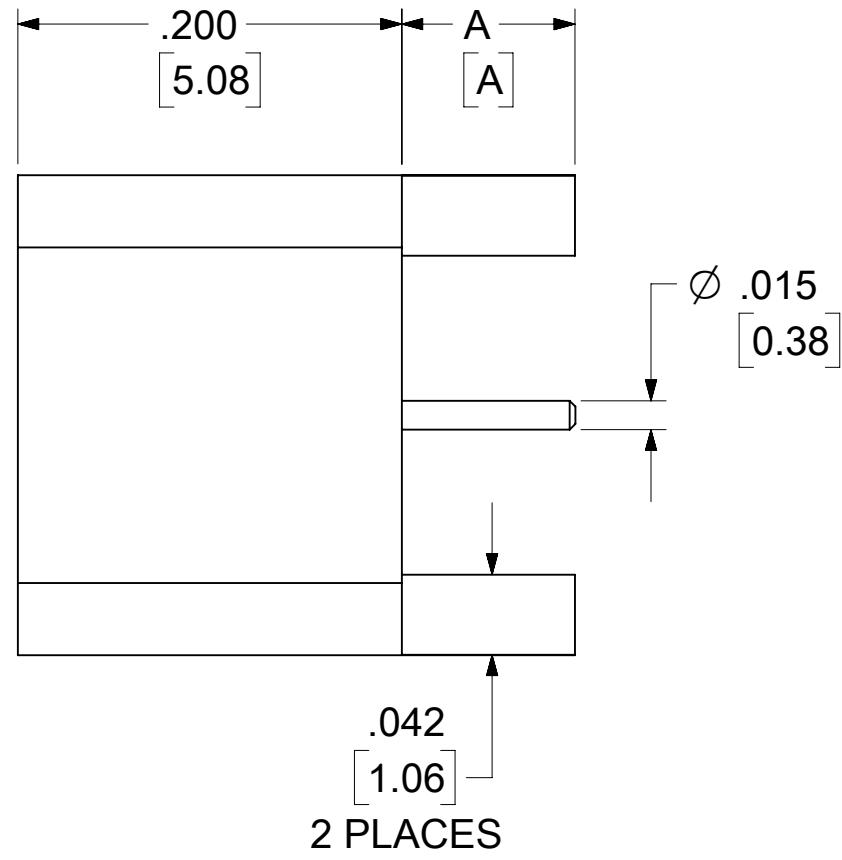
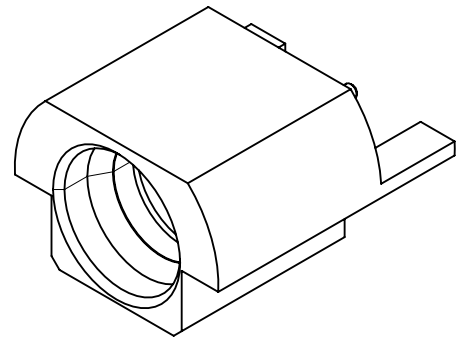


MATERIALS AND FINISHES:

BODY: BRASS
 PLATED GOLD
 SEE TABLE FOR THICKNESS

CENTER CONTACT: BRASS
 PLATED GOLD

INSULATOR: PTFE



LABEL FORMAT FOR
 73415-3597

PART NUMBER: 73415-3594
 ORDER NUMBER: 73415-3597
 MOLEX
 DATE: YYWW

LABEL FORMAT FOR
 73415-3595

PART NUMBER: 73415-3591
 ORDER NUMBER: 73415-3595
 MOLEX
 DATE: YYWW

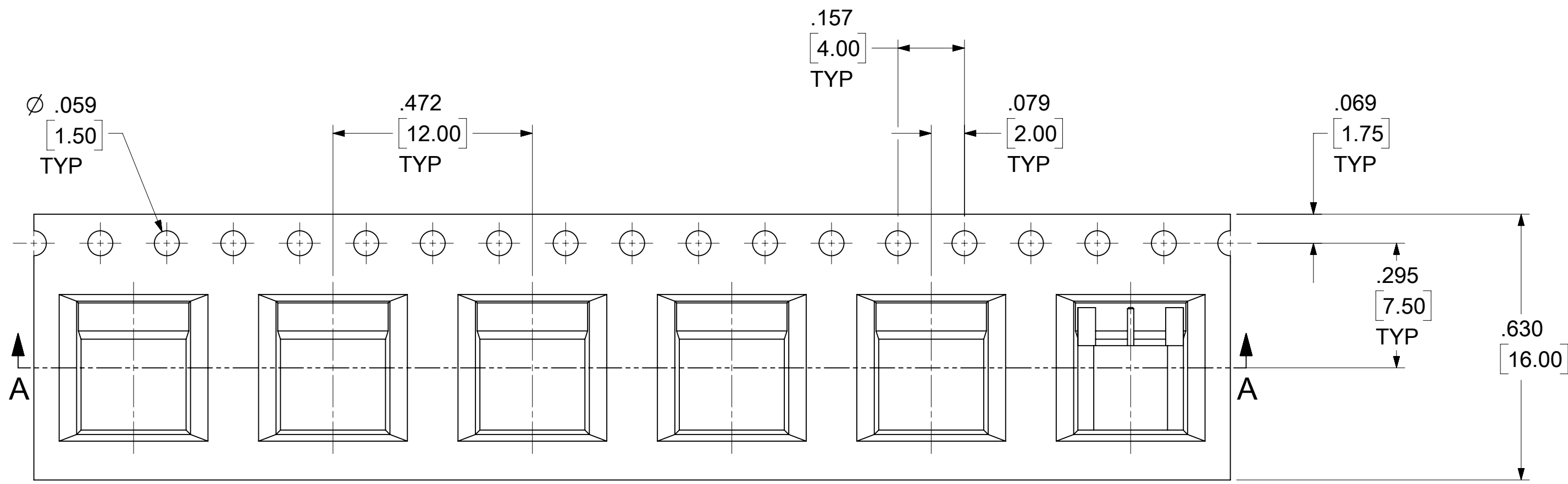
73415-3597	.090 REF	2.29 REF	.095	2.41	30 u" GOLD	73415-3594 ONE PER BAG	895420470
73415-3596	.050 REF	1.27 REF	.055	1.40	10 u" GOLD	73415-3591 TAPE AND REEL	SHEET 2 & 3
73415-3595						73415-3591 ONE PER BAG	895420088
73415-3594	.090 REF	2.29 REF	.095	2.41	30 u" GOLD	73415-3594 TRAY	895420040
73415-3593	.050 REF	1.27 REF	.055	1.40	10 u" GOLD	73415-3591 SMALL TRAY	895420060
73415-3592	.090 REF	2.29 REF	.095	2.41		73415-3590 SMALL TRAY	
73415-3591	.050 REF	1.27 REF	.055	1.40		73415-3591 TRAY	895420040
73415-3590	.090 REF	2.29 REF	.095	2.41	73415-3590 TRAY		
PART NO.	IN	MM	IN	MM	BODY PLATING	DESCRIPTION	PACKING SPEC
	DIM A		DIM B				

PS-89675-3320	PRODUCT SPECIFICATION
MIL-STD-348A, FIG. 326-3	INTERFACE
SPECIFICATION	DESCRIPTION

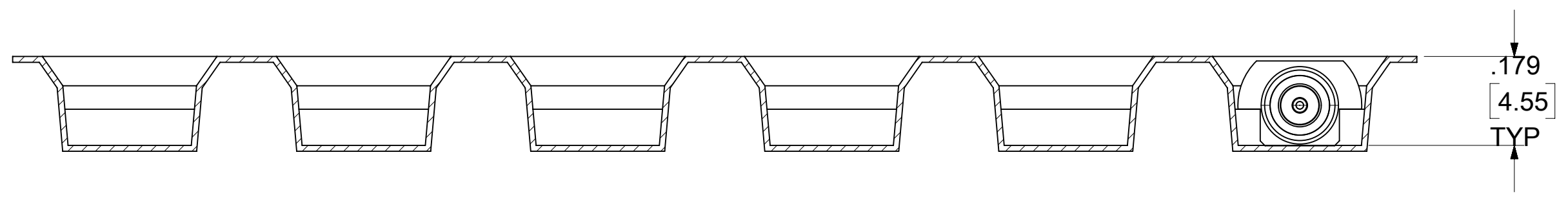
RECOMMENDED PCB LAYOUT

1 DIMENSIONS APPLICATION FOR ROGERS 4350
 PCB MATERIAL ONLY

THIS DRAWING CONTAINS INFORMATION THAT IS PROPRIETARY TO MOLEX ELECTRONIC TECHNOLOGIES, LLC AND SHOULD NOT BE USED WITHOUT WRITTEN PERMISSION									
DIMENSION UNITS: INCH/MM		SCALE: NTS		CURRENT REV DESC: ADD 73415-3597 PER EWR #15321-B				molex	
GENERAL TOLERANCES (UNLESS SPECIFIED)		ANGULAR TOL ± 2.0°		EC NO: 719074					
4 PLACES ±				DRWN: RYEH 2022/08/15				SMP PLUG, PCB EDGEMOUNT 50 OHMS LIMITED DETENT SMP-P/PCB	
3 PLACES ±				CHK'D: YCHENG 2022/08/29					
2 PLACES ±				APPR: YCHENG 2022/08/29				PRODUCT CUSTOMER DRAWING	
1 PLACE ±				INITIAL REVISION:					
0 PLACES ±				DRWN: RFC_PLMIMP 2017/12/28				DOCUMENT NUMBER: SD-73415-359	
				APPR: MHUANG 2007/02/05					
DRAFT WHERE APPLICABLE MUST REMAIN WITHIN DIMENSIONS		THIRD ANGLE PROJECTION		DRAWING: C-SIZE		SERIES: 73415		MATERIAL NUMBER: SEE TABLE	
								CUSTOMER: GENERAL MARKET	
								SHEET NUMBER: 1 OF 3	



FOR 73415-3596

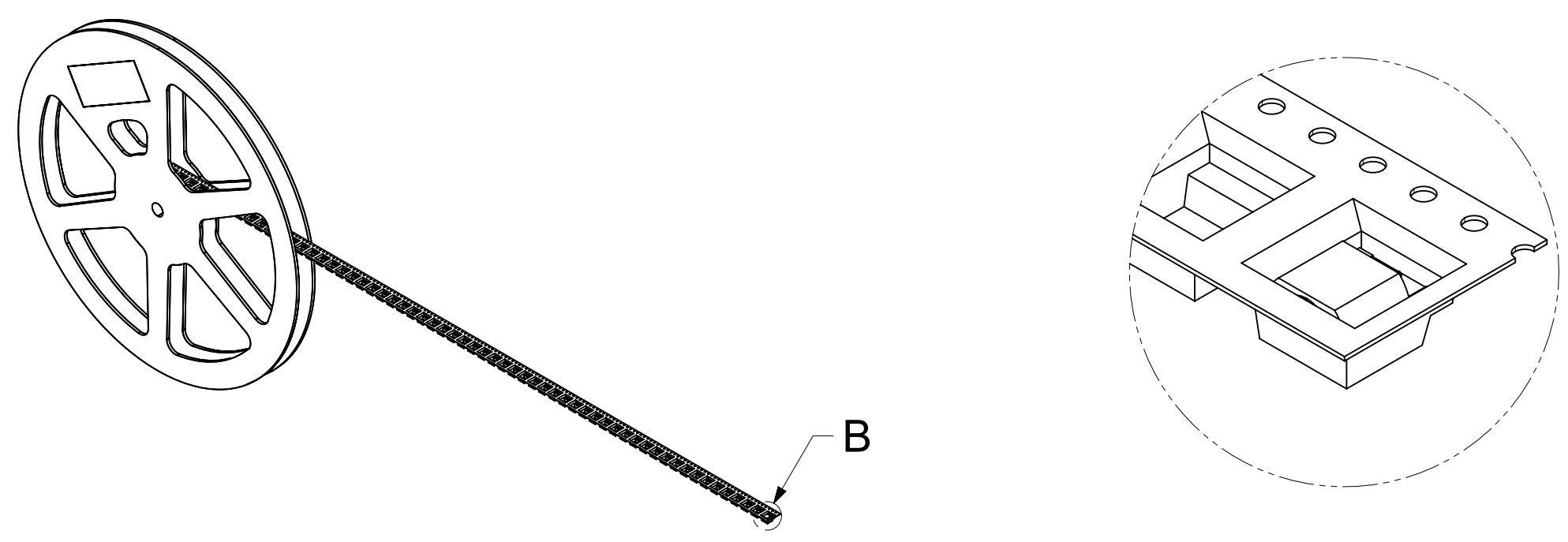
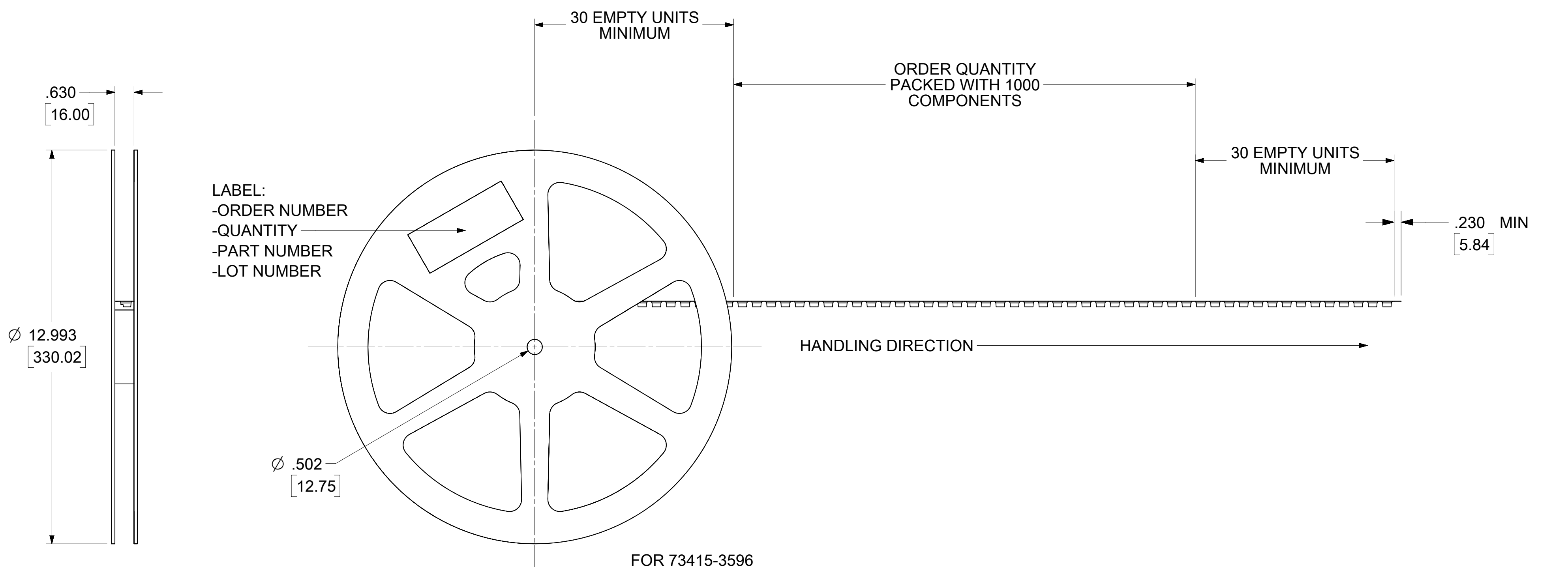


SECTION A-A

THIS DRAWING CONTAINS INFORMATION THAT IS PROPRIETARY TO MOLEX ELECTRONIC TECHNOLOGIES, LLC AND SHOULD NOT BE USED WITHOUT WRITTEN PERMISSION

DIMENSION UNITS INCH/MM		SCALE NTS	CURRENT REV DESC: ADD 73415-3597 PER EWR #15321-B		molex			
GENERAL TOLERANCES (UNLESS SPECIFIED)		EC NO: 719074		SMP PLUG, PCB EDGEMOUNT 50 OHMS LIMITED DETENT SMP-P/PCB				
ANGULAR TOL	± 2.0°	DRWN: RYEH		2022/08/15		PRODUCT CUSTOMER DRAWING		
4 PLACES	±	CHK'D: YCHENG		2022/08/29		DOCUMENT NUMBER		
3 PLACES	±	APPR: YCHENG		2022/08/29		SD-73415-359		
2 PLACES	±	INITIAL REVISION:		2017/12/28		DOC TYPE	DOC PART	
1 PLACE	±	DRWN: RFC_PLMIMP		2007/02/05		PSD	001	
0 PLACES	±	APPR: MHUANG		2007/02/05		REVISION	A9	
DRAFT WHERE APPLICABLE MUST REMAIN WITHIN DIMENSIONS		THIRD ANGLE PROJECTION	DRAWING	SERIES	MATERIAL NUMBER	CUSTOMER	SHEET NUMBER	
			C-SIZE	73415	SEE TABLE	GENERAL MARKET	2 OF 3	

DOCUMENT STATUS	P1	RELEASE DATE	2022/08/29	06:23:08
-----------------	----	--------------	------------	----------



THIS DRAWING CONTAINS INFORMATION THAT IS PROPRIETARY TO MOLEX ELECTRONIC TECHNOLOGIES, LLC AND SHOULD NOT BE USED WITHOUT WRITTEN PERMISSION									
DIMENSION UNITS		SCALE		CURRENT REV DESC: ADD 73415-3597 PER EWR #15321-B				molex	
INCH/MM		NTS							
GENERAL TOLERANCES (UNLESS SPECIFIED)				EC NO: 719074				SMP PLUG, PCB EDGEMOUNT 50 OHMS LIMITED DETENT SMP-P/PCB	
ANGULAR TOL ± 2.0°				DRWN: RYEH 2022/08/15					
4 PLACES ±				CHK'D: YCHENG 2022/08/29					
3 PLACES ±				APPR: YCHENG 2022/08/29				PRODUCT CUSTOMER DRAWING	
2 PLACES ±				INITIAL REVISION:					
1 PLACE ±				DRWN: RFC_PLMIMP 2017/12/28				DOCUMENT NUMBER	
0 PLACES ±				APPR: MHUANG 2007/02/05				SD-73415-359	
DRAFT WHERE APPLICABLE MUST REMAIN WITHIN DIMENSIONS		THIRD ANGLE PROJECTION		DRAWING		SERIES		MATERIAL NUMBER	
				C-SIZE		73415		SEE TABLE	
								CUSTOMER	
								GENERAL MARKET	
								SHEET NUMBER	
								3 OF 3	

DOCUMENT STATUS	P1	RELEASE DATE	2022/08/29	06:23:08
-----------------	----	--------------	------------	----------