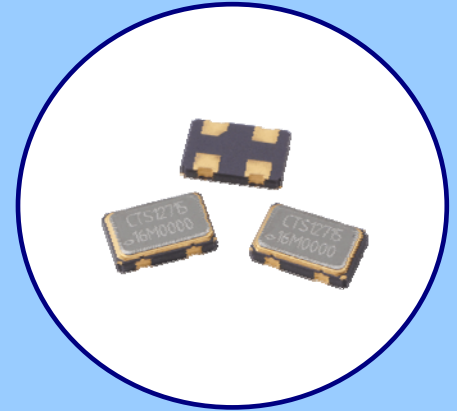




FEATURES

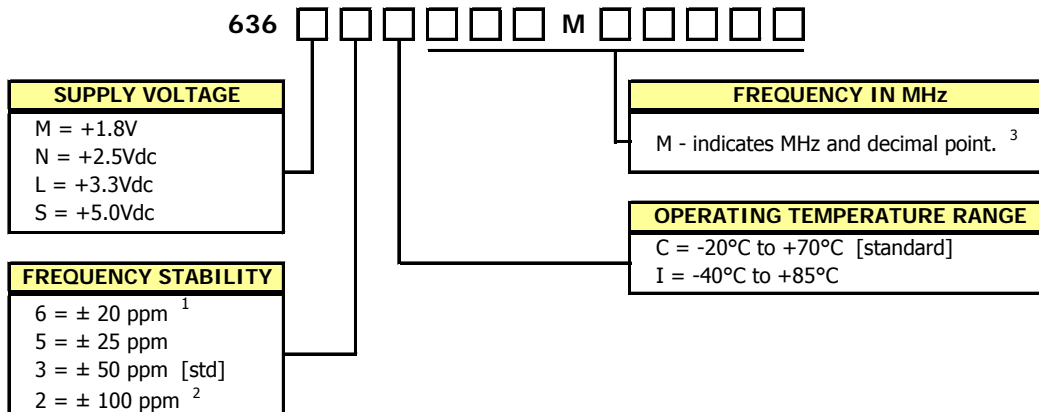
- Standard 5.0mm x 3.2mm 4-Pad Surface Mount Package
- HCMOS/TTL Compatible Output
- Fundamental and 3rd Overtone Crystal Designs
- Frequency Range 1 – 160 MHz
- Frequency Stability ± 50 ppm Standard, ± 25 ppm and ± 20 ppm Available
- Operating Voltages +1.8Vdc, +2.5Vdc, +3.3Vdc or +5.0Vdc
- Operating Temperature to -40°C to +85°C
- Output Enable Standard
- Tape & Reel Packaging Standard, EIA-418
- **RoHS/Green Compliant [6/6]**



APPLICATIONS

Model 636 is ideal for applications; such as digital video, networking equipment, broadband access, Ethernet/Gigabit Ethernet, microprocessors/DSP/FPGA, storage area networks, computers and peripherals, cameras and other portable devices to name a few.

ORDERING INFORMATION

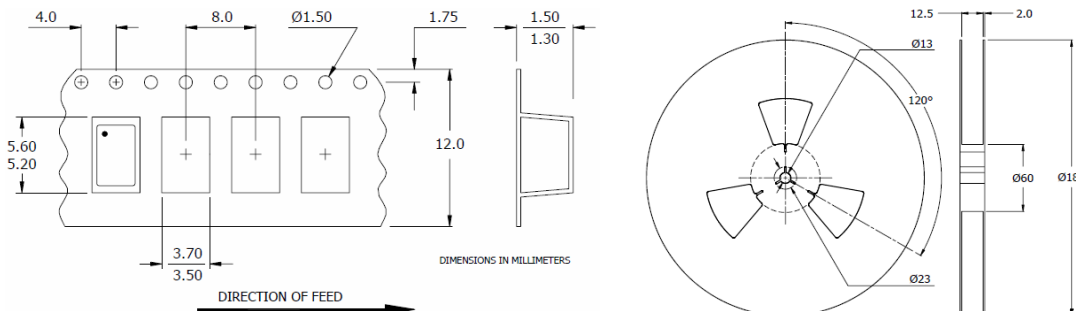


1] Consult factory for 6I Stability/Temperature availability.
 2] -40°C to +85°C Only.
 3] Frequency is recorded with three leading significant digits before the 'M' and 5 significant digits after the 'M' (including zeros).
 [Ex. 3.579545 MHz, code as 003M57954; 14.31818 MHz, code as 014M31818; 125 MHz, code as 125M00000]

Not all performance combinations and frequencies may be available.
Contact your local CTS Representative or CTS Customer Service for availability.

PACKAGING INFORMATION [Reference]

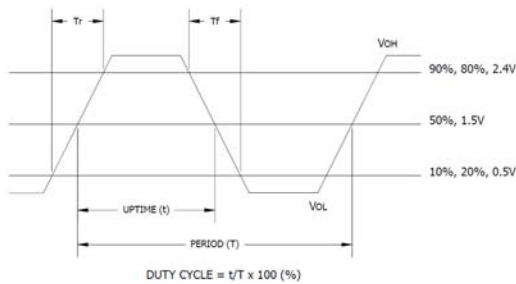
Factory may package reels in quantities of 1k pcs. or 3k pcs. Reel size is 180mm. **12mm tape width.**



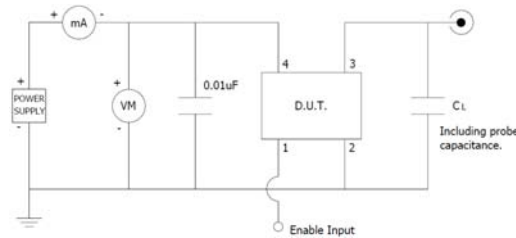
ELECTRICAL CHARACTERISTICS

	PARAMETER	SYMBOL	CONDITIONS	MIN	TYP	MAX	UNIT
ELECTRICAL PARAMETERS	Enable Function						
	Enable Input Voltage	V _{IH}	Pin 1 Logic '1', Output Enabled	1.26	-	-	V
	Model 636M		Pin 1 Logic '1', Output Enabled	1.75	-	-	
	Model 636N		Pin 1 Logic '1', Output Enabled	2.0	-	-	
	Model 636L		Pin 1 Logic '1', Output Enabled	4.0	-	-	
	Disable Input Voltage	V _{IL}	Pin 1 Logic '0', Output Disabled	-	-	0.3	
	Model 636M,636N,636L		Pin 1 Logic '0', Output Disabled	-	-	0.8	
Enable Time (M,N,L,S)	T _{PLZ}	Pin 1 Logic '1'	-	-	10	ms	
Standby Current	I _{ST}	Pin 1 Logic '0', Output Disabled	-	-	10	µA	

LVC MOS OUTPUT WAVEFORM



TEST CIRCUIT, CMOS LOAD

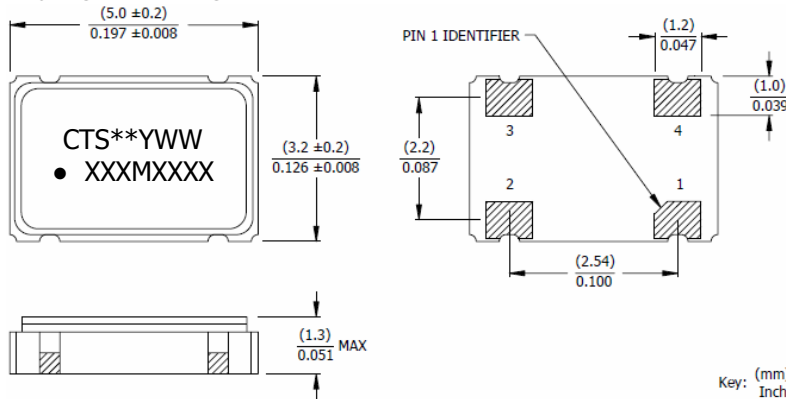


ENABLE TRUTH TABLE

PIN 1	PIN 3
Logic '1'	Output
Open	Output
Logic '0'	High Imp.

MECHANICAL SPECIFICATIONS

PACKAGE DRAWING



MARKING INFORMATION

- ** - Manufacturing Site Code.
- YWW - Date code, Y - year, WW - week.
- XXXMXXXX - Frequency is marked with only leading significant digits before the 'M' and 4 digits after the 'M' [including zeros].
Ex. XXXMXXXX [62M5000]
XXXMXXXX [155M5200]

NOTES

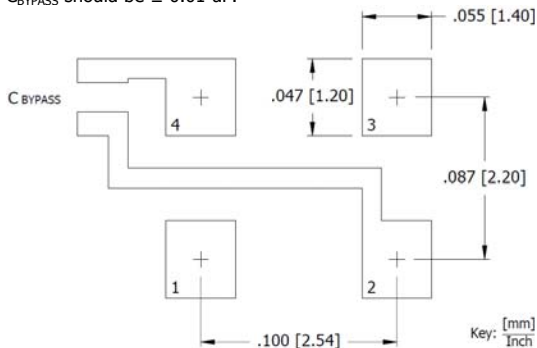
- Termination pads [e4]. Barrier-plating is nickel [Ni] with gold [Au] flash plate.
- Reflow conditions per JEDEC J-STD-020, 260°C maximum, 20 seconds.
- MSL = 1.

D.U.T. PIN ASSIGNMENTS

PIN	SYMBOL	DESCRIPTION
1	EOH	Enable
2	GND	Circuit & Package Ground
3	Output	RF Output
4	V _{CC}	Supply Voltage

SUGGESTED SOLDER PAD GEOMETRY

C_{BYPASS} should be ≥ 0.01 µF.



Mouser Electronics

Authorized Distributor

Click to View Pricing, Inventory, Delivery & Lifecycle Information:

CTS:

[636L3C014M31818](#) [636L3C014M74560](#) [636L3C016M00000](#) [636L3C016M38400](#) [636L3C018M43200](#)
[636L3C020M00000](#) [636L3C020M48000](#) [636L3C024M00000](#) [636L3C025M00000](#) [636L3C032M76800](#)
[636L3C033M00000](#) [636L3C044M00000](#) [636L3C048M00000](#) [636L3C033M33300](#) [636L3C054M00000](#)
[636L3C060M00000](#) [636L3C028M63630](#) [636L3I027M00000](#) [636L3I014M74560](#) [636L3I066M66600](#)
[636L3C004M00000](#) [636L3I033M00000](#) [636L3I033M33330](#) [636L3C125M00000](#) [636L3I007M37280](#)
[636L3C075M00000](#) [636L3I020M48000](#) [636L3C067M66670](#) [636L3C024M57600](#) [636L3I066M00000](#)
[636L3I036M00000](#) [636L3I025M00000](#) [636L3C064M00000](#) [636L3I001M84320](#) [636L3C026M00000](#)
[636L3C100M00000](#) [636L3I040M00000](#) [636L3C012M00000](#) [636L3C033M33000](#) [636L3C055M00000](#)
[636L3C007M37280](#) [636L3I006M00000](#) [636L3C050M00000](#) [636L3I016M00000](#) [636L3I044M92800](#)
[636L3I050M00000](#) [636L3C028M63636](#) [636L3I035M32800](#) [636L3C040M00000](#) [636L3I024M57600](#)
[636L3I030M00000](#) [636L3I020M00000](#) [636L3I024M00000](#) [636L3I012M00000](#) [636L3I100M00000](#) [636L3I008M00000](#)
[636L3I010M00000](#) [636L3I048M00000](#) [636L3C032M00000](#) [636L3C001M00000](#) [636L3C001M54400](#)
[636L3C001M84320](#) [636L3C003M68640](#) [636L3C008M00000](#) [636L3C010M00000](#) [636L3C011M05920](#)
[636L3C018M4320](#) [636L3C027M00000](#) [636L3C029M49120](#) [636L3C030M00000](#) [636L3C066M66600](#)
[636L3C077M76000](#) [636L3C080M00000](#) [636L3C106M25000](#) [636L3C133M33000](#) [636L3I001M00000](#)
[636L3I001M54400](#) [636L3I003M68640](#) [636L3I004M00000](#) [636L3I011M05920](#) [636L3I014M31818](#) [636L3I016M38400](#)
[636L3I018M4320](#) [636L3I029M49120](#) [636L3I032M00000](#) [636L3I032M76800](#) [636L3I033M33300](#) [636L3I044M00000](#)
[636L3I060M00000](#) [636L3I064M00000](#) [636L3I075M00000](#) [636L3I077M76000](#) [636L3I080M00000](#)
[636L3I106M25000](#) [636L3I125M00000](#) [636L3I133M33000](#) [636L3I018M43200](#) [636M3C001M84320](#)
[636M3C003M68640](#) [636M3C004M00000](#)