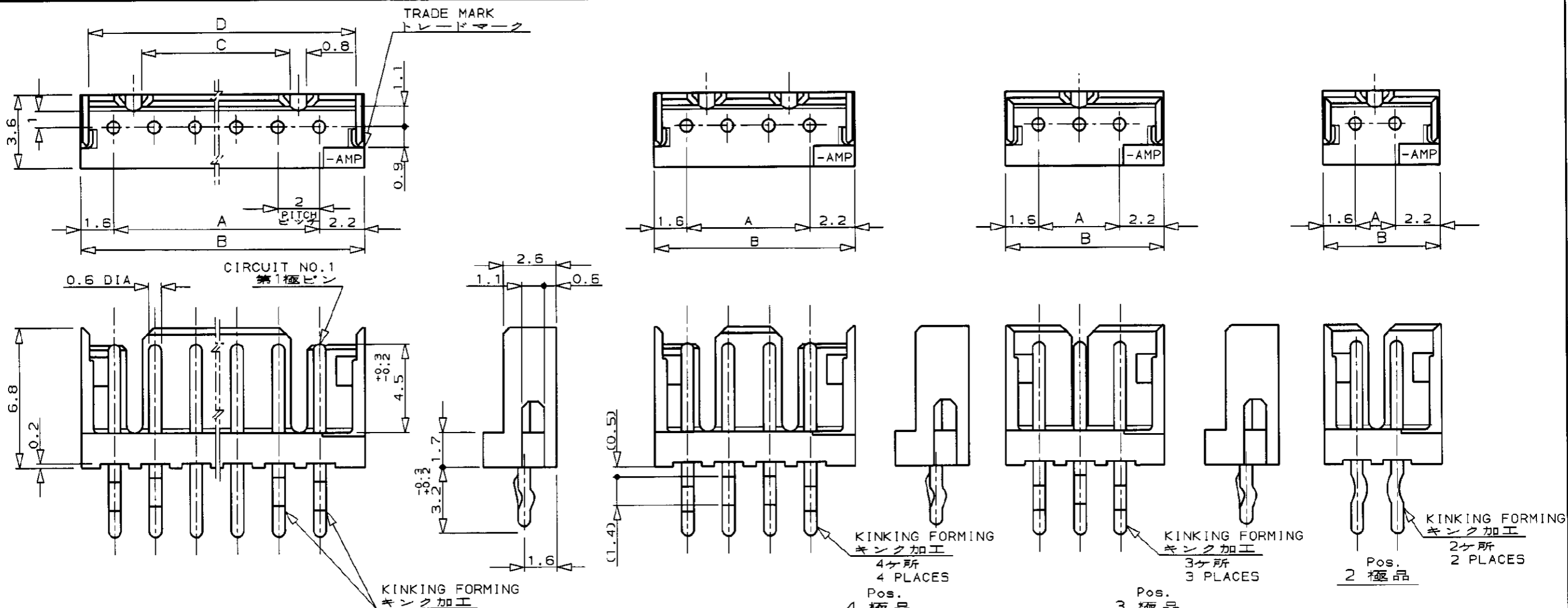
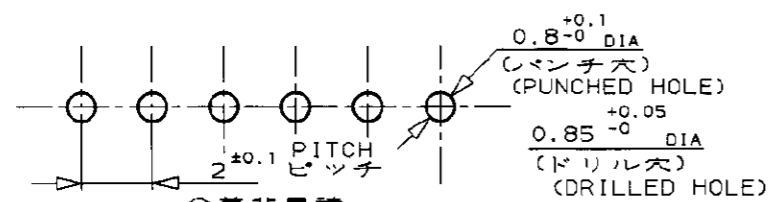


NUMBER C-173981
 METRIC
 3-D ANGLE PROJECTION
 DIMENSIONS IN MILLIMETERS. DO NOT SCALE PRINT
 PRINT DIST



- 注 ;
- 材料 : HSG - 66ナイロン樹脂UL94V-0
ポスト - 半田メッキ付黄銅
 - 適用製品規格 : 108-5218
 - 嵌合相手製品型番 : P/N 173977

- NOTES;
- MATERIAL: HOUSING - 66 NYLON (UL94V-0)
POST - POST-PLATED TIN-LEAD BRASS
 - PRODUCT SPEC., 108-5218
 - APPLICABLE RECEPTACLE, P/N 173977
- ⚠ SUPERSEDED BY 292161



RECOMMENDABLE P.C. BOARD LAYOUT
 推奨基板寸法
 (板厚 0.8-1.6)
 (PCB THK: 0.8-1.6)

	△7-173981-5	△5-173981-5	△3-173981-5	△1-173981-5	15	28	31.8	25.2	31.0
	△7-△	△5-△	△3-△	△1-△	14	26	29.8	23.2	29.0
	△7-	△5-	△3-	△1-	13	24	27.8	21.2	27.0
△9-173981-2	△7-	△5-	△3-	△1-	12	22	25.8	19.2	25.0
△9-△	△7-	△5-	△3-	△1-	11	20	23.8	17.2	23.0
△9-	△7-	△5-	△3-	△1-	10	18	21.8	15.2	21.0
△8-	△6-	△4-	△2-		9	16	19.8	13.2	19.0
△8-	△6-	△4-	△2-	△	8	14	17.8	11.2	17.0
△8-	△6-	△4-	△2-	△	7	12	15.8	9.2	15.0
△8-	△6-	△4-	△2-	△	6	10	13.8	7.2	13.0
△8-	△6-	△4-	△2-	△	5	8	11.8	5.2	11.0
△8-	△6-	△4-	△2-	△	4	6	9.8	3.2	9.0
△8-▽	△6-▽	△4-▽	△2-▽	△▽	3	4	7.8	—	7.0
△8-173981-2	△6-173981-2	△4-173981-2	2-173981-2	173981-2	2	2	5.8	—	5.0
RED 赤色	BLACK 黒色	YELLOW 黄色	BLUE 青色	NATURAL 自然色	Pos. 極数	A	B	C	D

SUPERSEDED

NOT FOR TEST REVISION

TE Connectivity

WIRE RANGE — # — mm ² (AWG -)	INSULATION DIA — # — mmφ	NAME ポストヘッダーアッセンブリ・垂直型 (V-タイプ) POST HEADER ASS'Y VERTICAL TYPE (AMP CT CONNECTOR 2mm PITCH)
MATERIAL SEE NOTE 1 注1参照	FINISH — # —	GENERAL TOLERANCE 0\leq10 : ± 0.2 10\leq30 : ± 0.25 30\leq100 : ± 0.3 ANGLES : $\pm 3^\circ$
DR. T. NAKAMURA 4/5/90	DE. T. NAKAMURA 10/27/95	SIZE LOC NUMBER J C-173981
K2 REVISED PER ECO-11-005033	RK HMR 2APR11	SCALE 5-1
LTR REVISION RECORD	DR CHK DATE	REV. K2
DR. S. KIKUCHI 4/5/90	APP. S. KUBOUCHI 10/27/95	SHEET 1 OF 1

CUSTOMER DRAWING

Mouser Electronics

Authorized Distributor

Click to View Pricing, Inventory, Delivery & Lifecycle Information:

[TE Connectivity:](#)

[1-173981-0](#) [1-173979-0](#)