

0603

Thick Film Chip Resistor



RoHS
Compliant

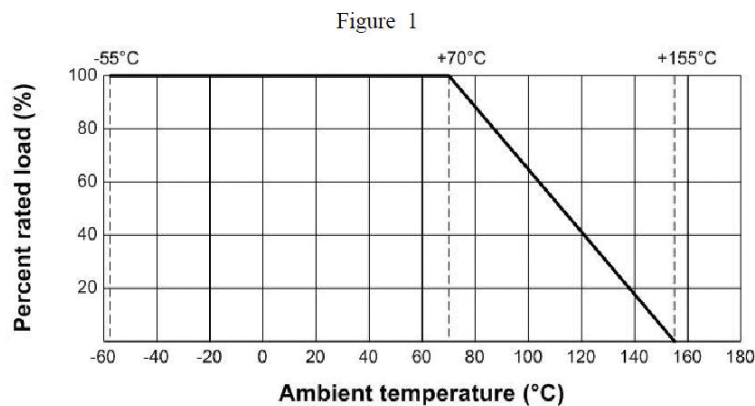


Ratings:

Type	0603
Power Rating	0.0625W (1/16W)
Max. Working Voltage	50V
Max. Overload Voltage	100V
Temperature Range	-55°C to +155°C
Ambient Temperature	70°C

Power Rating:

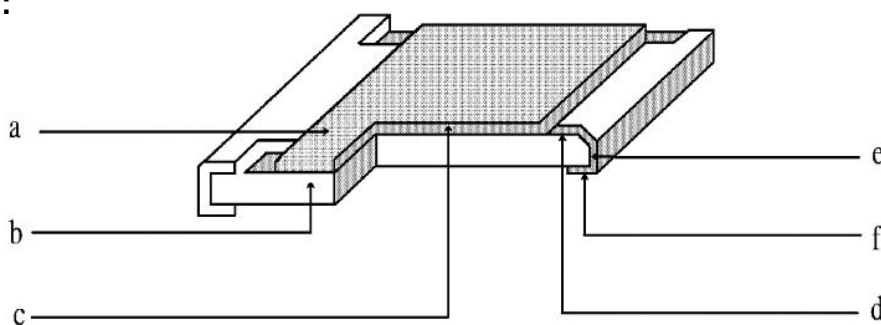
Resistors shall have a power rating based on continuous load operation at an ambient temperature of 70°C. For temperature in excess of 70°C, The load shall be derate as shown in figure 1.



Nominal Resistance

Effective figures of nominal resistance shall be in accordance with E-24 and E-96 series E-96 series for 1% and E-24 series for 2% and 5%

Construction:



- a. Protective coating : Epoxy
- b. Al₂O₃ high purity alumina substrate : Al 96%
- c. Resistive element : RuO₂, Ag, Glass

- d. Termination (Inner) : Ag/Pd
- e. Termination (Between) : Ni plating film
- f. Termination (Outer) : Sn plating film

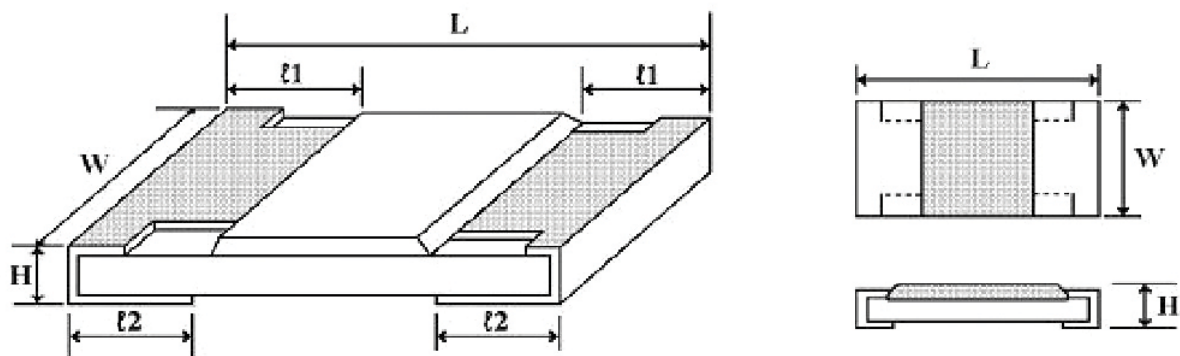


0603

Thick Film Chip Resistor



Power Rating and Dimensions:



Dimension :

Type	Dimension (mm)				
	$L \pm 0.10$	$W + 0.15$ $- 0.10$	$H \pm 0.10$	$l1 \pm 0.20$	$l2 \pm 0.20$
0603	1.6	0.80	0.45	0.3	0.3

Power Rating :

Type	Power Rating at 70°C	Tolerance %	Resistance Range	Standard Series
0603	0.0625W (1/16W)	± 1	1 Ω to 10M Ω	E-96

Marking :

Resistors

A. Marking for E-96 series in 0603 size: 3 Digits (due to space restrictions)

*Using the Multiplier code, please refer to coding formula

0603

Thick Film Chip Resistor



Mutiplier Code :

Code	A	B	C	D	E	F	G	H	X	Y	Z
Multiplier	10 ⁰	10 ¹	10 ²	10 ³	10 ⁴	10 ⁵	10 ⁶	10 ⁷	10 ⁻¹	10 ⁻²	10 ⁻³

Value	Code	Value	Code	Value	Code	Value	Code	Value	Code
100	01	162	21	261	41	422	61	681	81
102	02	165	22	267	42	432	62	698	82
105	03	169	23	274	43	442	63	715	83
107	04	174	24	280	44	453	64	732	84
110	05	178	25	287	45	464	65	750	85
113	06	182	26	294	46	475	66	768	86
115	07	187	27	301	47	487	67	787	87
118	08	191	28	309	48	499	68	806	88
121	09	196	29	316	49	511	69	825	89
124	10	200	30	324	50	523	70	845	90
127	11	205	31	332	51	536	71	866	91
130	12	210	32	340	52	549	72	887	92
133	13	215	33	348	53	562	73	909	93
137	14	221	34	357	54	576	74	931	94
140	15	226	35	365	55	590	75	953	95
143	16	232	36	374	56	604	76	976	96
147	17	237	37	383	57	619	77		
150	18	243	38	392	58	634	78		
154	19	249	39	402	59	649	79		
158	20	255	40	412	60	665	80		

Ex.

	01X	
--	------------	--

 $10\Omega = 100 \times 10^{-1} = 01X$

*The resistance value that no have multiplier code indicate marking follow this: The first 2 digits are significant figures of resistance and the 3rd digits denoted number of zeros and under line the marking letters.

Ex.

	1R2	
--	------------	--

 1.2Ω

0603 Thick Film Chip Resistor



Performance Specifications:

Characteristics	Limits	Test Methods (JIS C 5201-1)
Insulation resistance	1,000MΩ or more	Apply 500V DC between protective coating and termination for 1 min, then measure (Sub-clause 4.6)
Dielectric withstanding voltage	No evidence of flashover mechanical damage, arcing or insulation break down	Apply 500V AC between protective coating and termination for 1 minute (Sub-clause 4.7)
Temperature coefficient	1Ω-10Ω : ± 400 PPM / °C 11Ω-100Ω : ± 200 PPM / °C >100Ω : ± 100 PPM / °C	Natural resistance change per temp. degree centigrade. $\frac{R_2 - R_1}{R_1(t_2 - t_1)} \times 10^6 \text{ (PPM / } ^\circ\text{C)}$ R1: Resistance value at room temperature (t1) R2: Resistance value at room temp. plus 100°C (t2) (Sub-clause 4.8)
Short time overload	Resistance change rate is ± (1.0% + 0.1Ω) Max.	Permanent resistance change after the application of a potential of 2.5 times RCWV for 5 seconds (Sub-clause 4.13)
Solderability	95 % coverage Min.	Test temperature of solder : 245 ± 3°C Dwell time in solder : 2 to 3 seconds (Sub-clause 4.17)
Soldering temp. reference	Electrical characteristics shall be satisfied. Without distinct deformation in appearance. (95 % coverage Min.)	<p>Wave soldering condition: (2 cycles Max.) Pre-heat : 100°C to 120°C, 30 ± 5 sec. Suggestion solder temp. : 235°C to 255°C, 10 sec. (Max.) Peak temp. : 260°C</p> <p>Reflow soldering condition: (2 cycles Max.) Pre-heat : 150°C to 180°C, 90 sec to 120 sec. Suggestion solder temp.: 235°C to 255°C, 20 sec to 40 sec. Peak temp. : 260°C</p> <p>Hand soldering condition: The soldering iron tip temperature should be less than 300°C and maximum contract time should be 5 sec.</p>

0603

Thick Film Chip Resistor

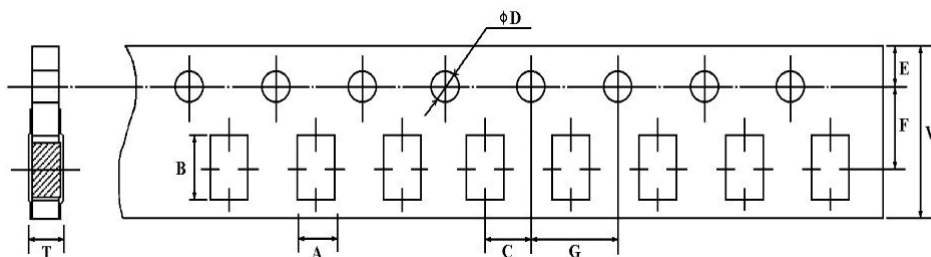


Performance Specifications:

Characteristics	Limits	Test Methods (JIS C 5201-1)															
Soldering Heat	Resistance change rate is: $\pm(1\%+0.05\Omega)$ Max.	Dip the resistor into a solder bath having a temperature of $260^{\circ}\text{C}\pm 3^{\circ}\text{C}$ and hold it for 10 ± 1 seconds. (Sub-clause 4.18)															
Temperature cycling	Resistance change rate is $\pm(0.5\% + 0.05\Omega)$ Max.	Resistance change after continuous 5 cycles for duty cycle specified below : <table border="1"> <thead> <tr> <th>Step</th> <th>Temperature</th> <th>Time</th> </tr> </thead> <tbody> <tr> <td>1</td> <td>$-55^{\circ}\text{C} \pm 3^{\circ}\text{C}$</td> <td>30 mins</td> </tr> <tr> <td>2</td> <td>Room temp.</td> <td>10 to 15 mins</td> </tr> <tr> <td>3</td> <td>$+155^{\circ}\text{C} \pm 2^{\circ}\text{C}$</td> <td>30 mins</td> </tr> <tr> <td>4</td> <td>Room temp.</td> <td>10 to 15 mins</td> </tr> </tbody> </table> (Sub-clause 4.19)	Step	Temperature	Time	1	$-55^{\circ}\text{C} \pm 3^{\circ}\text{C}$	30 mins	2	Room temp.	10 to 15 mins	3	$+155^{\circ}\text{C} \pm 2^{\circ}\text{C}$	30 mins	4	Room temp.	10 to 15 mins
Step	Temperature	Time															
1	$-55^{\circ}\text{C} \pm 3^{\circ}\text{C}$	30 mins															
2	Room temp.	10 to 15 mins															
3	$+155^{\circ}\text{C} \pm 2^{\circ}\text{C}$	30 mins															
4	Room temp.	10 to 15 mins															
Load life in humidity	Resistance change rate is $\pm(1\% + 0.1\Omega)$ Max.	Resistance change after 1,000 hours (1.5 hours "on", 0.5 hour "off") at RCWV in a humidity chamber controlled at $40^{\circ}\text{C} \pm 2^{\circ}\text{C}$ and 90 to 95 % relative humidity (Sub-clause 4.24.2.1)															
Load Life	Resistance change rate is $\pm(1.0\% + 0.1\Omega)$ Max.	Permanent resistance change after 1,000 hours operating at RCWV, with duty cycle of 1.5 hours"on", 0.5 hour"off") at $70^{\circ}\text{C} \pm 2^{\circ}\text{C}$ ambient (Sub-clause 4.25.1)															
Terminal bending	Resistance change rate is $\pm(1.0\% + 0.05\Omega)$ Max.	Twist of Test Board : $Y/X = 5/90$ mm for 10 seconds (Sub-clause 4.33)															

Packing specification :

* Taping Dimension (mm)



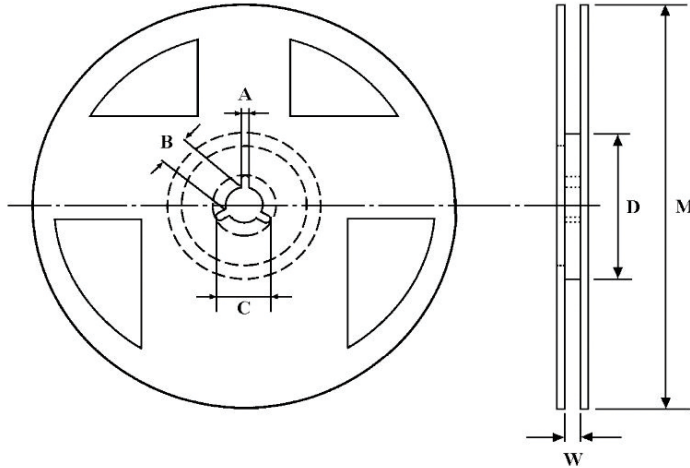
Type	$A \pm 0.2$	$B \pm 0.2$	$C \pm 0.05$	$\phi D \begin{smallmatrix} +0.1 \\ -0 \end{smallmatrix}$	$E \pm 0.1$	$F \pm 0.05$	$G \pm 0.1$	$W \pm 0.2$	$T \pm 0.1$
0603	1.1	1.9	2	1.5	1.75	3.5	4	8	0.67

0603

Thick Film Chip Resistor



* Reel Dimension (mm)



Type	Quantity Per Reel	A ± 0.5	B ± 0.5	C ± 0.5	D ± 1	M ± 2	W ± 1
0603	5,000 pcs. / Reel	2	13	21	60	178	10

Remark : \varnothing M 10,000 pcs. / Reel = 255 ± 2 mm
 20,000pcs. / Reel = 330 ± 2 mm

Part Number Table

Description	Part Number
Resistor, 0603 10R2	MC 0.063W 0603 1% 10R2
Resistor, 0603 10R5	MC 0.063W 0603 1% 10R5
Resistor, 0603 11R5	MC 0.063W 0603 1% 11R5
Resistor, 0603 12R1	MC 0.063W 0603 1% 12R1
Resistor, 0603 12R4	MC 0.063W 0603 1% 12R4
Resistor, 0603 12R7	MC 0.063W 0603 1% 12R7
Resistor, 0603 13R3	MC 0.063W 0603 1% 13R3
Resistor, 0603 14R	MC 0.063W 0603 1% 14R
Resistor, 0603 14R3	MC 0.063W 0603 1% 14R3
Resistor, 0603 14R7	MC 0.063W 0603 1% 14R7
Resistor, 0603 15R4	MC 0.063W 0603 1% 15R4
Resistor, 0603 16R2	MC 0.063W 0603 1% 16R2
Resistor, 0603 16R5	MC 0.063W 0603 1% 16R5
Resistor, 0603 16R9	MC 0.063W 0603 1% 16R9
Resistor, 0603 17R8	MC 0.063W 0603 1% 17R8



0603

Thick Film Chip Resistor



Description	Part Number
Resistor, 0603 18R2	MC 0.063W 0603 1% 18R2
Resistor, 0603 18R7	MC 0.063W 0603 1% 18R7
Resistor, 0603 19R1	MC 0.063W 0603 1% 19R1
Resistor, 0603 19R6	MC 0.063W 0603 1% 19R6
Resistor, 0603 20R5	MC 0.063W 0603 1% 20R5
Resistor, 0603 21R	MC 0.063W 0603 1% 21R
Resistor, 0603 21R5	MC 0.063W 0603 1% 21R5
Resistor, 0603 22R1	MC 0.063W 0603 1% 22R1
Resistor, 0603 22R6	MC 0.063W 0603 1% 22R6
Resistor, 0603 23R2	MC 0.063W 0603 1% 23R2
Resistor, 0603 23R7	MC 0.063W 0603 1% 23R7
Resistor, 0603 24R3	MC 0.063W 0603 1% 24R3
Resistor, 0603 24R9	MC 0.063W 0603 1% 24R9
Resistor, 0603 25R5	MC 0.063W 0603 1% 25R5
Resistor, 0603 26R1	MC 0.063W 0603 1% 26R1
Resistor, 0603 26R7	MC 0.063W 0603 1% 26R7
Resistor, 0603 27R4	MC 0.063W 0603 1% 27R4
Resistor, 0603 28R	MC 0.063W 0603 1% 28R
Resistor, 0603 28R7	MC 0.063W 0603 1% 28R7
Resistor, 0603 30R1	MC 0.063W 0603 1% 30R1
Resistor, 0603 30R9	MC 0.063W 0603 1% 30R9
Resistor, 0603 31R6	MC 0.063W 0603 1% 31R6
Resistor, 0603 33R2	MC 0.063W 0603 1% 33R2
Resistor, 0603 34R	MC 0.063W 0603 1% 34R
Resistor, 0603 34R8	MC 0.063W 0603 1% 34R8
Resistor, 0603 35R7	MC 0.063W 0603 1% 35R7
Resistor, 0603 36R5	MC 0.063W 0603 1% 36R5
Resistor, 0603 37R4	MC 0.063W 0603 1% 37R4
Resistor, 0603 38R3	MC 0.063W 0603 1% 38R3
Resistor, 0603 39R2	MC 0.063W 0603 1% 39R2
Resistor, 0603 40R2	MC 0.063W 0603 1% 40R2
Resistor, 0603 41R2	MC 0.063W 0603 1% 41R2
Resistor, 0603 42R2	MC 0.063W 0603 1% 42R2
Resistor, 0603 43R2	MC 0.063W 0603 1% 43R2
Resistor, 0603 44R2	MC 0.063W 0603 1% 44R2
Resistor, 0603 45R3	MC 0.063W 0603 1% 45R3
Resistor, 0603 46R4	MC 0.063W 0603 1% 46R4
Resistor, 0603 47R5	MC 0.063W 0603 1% 47R5

0603

Thick Film Chip Resistor



Description	Part Number
Resistor, 0603 48R7	MC 0.063W 0603 1% 48R7
Resistor, 0603 49R9	MC 0.063W 0603 1% 49R9
Resistor, 0603 52R3	MC 0.063W 0603 1% 52R3
Resistor, 0603 53R6	MC 0.063W 0603 1% 53R6
Resistor, 0603 54R9	MC 0.063W 0603 1% 54R9
Resistor, 0603 56R2	MC 0.063W 0603 1% 56R2
Resistor, 0603 57R6	MC 0.063W 0603 1% 57R6
Resistor, 0603 59R	MC 0.063W 0603 1% 59R
Resistor, 0603 60R4	MC 0.063W 0603 1% 60R4
Resistor, 0603 61R9	MC 0.063W 0603 1% 61R9
Resistor, 0603 63R4	MC 0.063W 0603 1% 63R4
Resistor, 0603 64R9	MC 0.063W 0603 1% 64R9
Resistor, 0603 66R5	MC 0.063W 0603 1% 66R5
Resistor, 0603 68R1	MC 0.063W 0603 1% 68R1
Resistor, 0603 71R5	MC 0.063W 0603 1% 71R5
Resistor, 0603 73R2	MC 0.063W 0603 1% 73R2
Resistor, 0603 76R8	MC 0.063W 0603 1% 76R8
Resistor, 0603 78R7	MC 0.063W 0603 1% 78R7
Resistor, 0603 80R6	MC 0.063W 0603 1% 80R6
Resistor, 0603 82R5	MC 0.063W 0603 1% 82R5
Resistor, 0603 84R5	MC 0.063W 0603 1% 84R5
Resistor, 0603 86R6	MC 0.063W 0603 1% 86R6
Resistor, 0603 88R7	MC 0.063W 0603 1% 88R7
Resistor, 0603 90R9	MC 0.063W 0603 1% 90R9
Resistor, 0603 93R1	MC 0.063W 0603 1% 93R1
Resistor, 0603 95R3	MC 0.063W 0603 1% 95R3
Resistor, 0603 97R6	MC 0.063W 0603 1% 97R6
Resistor, 0603 102R	MC 0.063W 0603 1% 102R
Resistor, 0603 105R	MC 0.063W 0603 1% 105R
Resistor, 0603 107R	MC 0.063W 0603 1% 107R
Resistor, 0603 113R	MC 0.063W 0603 1% 113R
Resistor, 0603 115R	MC 0.063W 0603 1% 115R
Resistor, 0603 118R	MC 0.063W 0603 1% 118R
Resistor, 0603 121R	MC 0.063W 0603 1% 121R
Resistor, 0603 124R	MC 0.063W 0603 1% 124R
Resistor, 0603 127R	MC 0.063W 0603 1% 127R
Resistor, 0603 133R	MC 0.063W 0603 1% 133R
Resistor, 0603 137R	MC 0.063W 0603 1% 137R

0603

Thick Film Chip Resistor



Description	Part Number
Resistor, 0603 140R	MC 0.063W 0603 1% 140R
Resistor, 0603 143R	MC 0.063W 0603 1% 143R
Resistor, 0603 147R	MC 0.063W 0603 1% 147R
Resistor, 0603 154R	MC 0.063W 0603 1% 154R
Resistor, 0603 158R	MC 0.063W 0603 1% 158R
Resistor, 0603 162R	MC 0.063W 0603 1% 162R
Resistor, 0603 165R	MC 0.063W 0603 1% 165R
Resistor, 0603 169R	MC 0.063W 0603 1% 169R
Resistor, 0603 174R	MC 0.063W 0603 1% 174R
Resistor, 0603 178R	MC 0.063W 0603 1% 178R
Resistor, 0603 182R	MC 0.063W 0603 1% 182R
Resistor, 0603 187R	MC 0.063W 0603 1% 187R
Resistor, 0603 191R	MC 0.063W 0603 1% 191R
Resistor, 0603 196R	MC 0.063W 0603 1% 196R
Resistor, 0603 205R	MC 0.063W 0603 1% 205R
Resistor, 0603 210R	MC 0.063W 0603 1% 210R
Resistor, 0603 215R	MC 0.063W 0603 1% 215R
Resistor, 0603 221R	MC 0.063W 0603 1% 221R
Resistor, 0603 226R	MC 0.063W 0603 1% 226R
Resistor, 0603 232R	MC 0.063W 0603 1% 232R
Resistor, 0603 237R	MC 0.063W 0603 1% 237R
Resistor, 0603 243R	MC 0.063W 0603 1% 243R
Resistor, 0603 249R	MC 0.063W 0603 1% 249R
Resistor, 0603 255R	MC 0.063W 0603 1% 255R
Resistor, 0603 261R	MC 0.063W 0603 1% 261R
Resistor, 0603 267R	MC 0.063W 0603 1% 267R
Resistor, 0603 274R	MC 0.063W 0603 1% 274R
Resistor, 0603 280R	MC 0.063W 0603 1% 280R
Resistor, 0603 287R	MC 0.063W 0603 1% 287R
Resistor, 0603 294R	MC 0.063W 0603 1% 294R
Resistor, 0603 301R	MC 0.063W 0603 1% 301R
Resistor, 0603 309R	MC 0.063W 0603 1% 309R
Resistor, 0603 316R	MC 0.063W 0603 1% 316R
Resistor, 0603 324R	MC 0.063W 0603 1% 324R
Resistor, 0603 332R	MC 0.063W 0603 1% 332R
Resistor, 0603 340R	MC 0.063W 0603 1% 340R
Resistor, 0603 348R	MC 0.063W 0603 1% 348R
Resistor, 0603 357R	MC 0.063W 0603 1% 357R

0603

Thick Film Chip Resistor



Description	Part Number
Resistor, 0603 365R	MC 0.063W 0603 1% 365R
Resistor, 0603 374R	MC 0.063W 0603 1% 374R
Resistor, 0603 383R	MC 0.063W 0603 1% 383R
Resistor, 0603 392R	MC 0.063W 0603 1% 392R
Resistor, 0603 402R	MC 0.063W 0603 1% 402R
Resistor, 0603 412R	MC 0.063W 0603 1% 412R
Resistor, 0603 422R	MC 0.063W 0603 1% 422R
Resistor, 0603 432R	MC 0.063W 0603 1% 432R
Resistor, 0603 442R	MC 0.063W 0603 1% 442R
Resistor, 0603 453R	MC 0.063W 0603 1% 453R
Resistor, 0603 464R	MC 0.063W 0603 1% 464R
Resistor, 0603 475R	MC 0.063W 0603 1% 475R
Resistor, 0603 487R	MC 0.063W 0603 1% 487R
Resistor, 0603 499R	MC 0.063W 0603 1% 499R
Resistor, 0603 511R	MC 0.063W 0603 1% 511R
Resistor, 0603 523R	MC 0.063W 0603 1% 523R
Resistor, 0603 536R	MC 0.063W 0603 1% 536R
Resistor, 0603 549R	MC 0.063W 0603 1% 549R
Resistor, 0603 562R	MC 0.063W 0603 1% 562R
Resistor, 0603 576R	MC 0.063W 0603 1% 576R
Resistor, 0603 590R	MC 0.063W 0603 1% 590R
Resistor, 0603 604R	MC 0.063W 0603 1% 604R
Resistor, 0603 619R	MC 0.063W 0603 1% 619R
Resistor, 0603 634R	MC 0.063W 0603 1% 634R
Resistor, 0603 649R	MC 0.063W 0603 1% 649R
Resistor, 0603 665R	MC 0.063W 0603 1% 665R
Resistor, 0603 681R	MC 0.063W 0603 1% 681R
Resistor, 0603 698R	MC 0.063W 0603 1% 698R
Resistor, 0603 715R	MC 0.063W 0603 1% 715R
Resistor, 0603 732R	MC 0.063W 0603 1% 732R
Resistor, 0603 768R	MC 0.063W 0603 1% 768R
Resistor, 0603 787R	MC 0.063W 0603 1% 787R
Resistor, 0603 806R	MC 0.063W 0603 1% 806R
Resistor, 0603 825R	MC 0.063W 0603 1% 825R
Resistor, 0603 845R	MC 0.063W 0603 1% 845R
Resistor, 0603 866R	MC 0.063W 0603 1% 866R
Resistor, 0603 887R	MC 0.063W 0603 1% 887R
Resistor, 0603 909R	MC 0.063W 0603 1% 909R

0603

Thick Film Chip Resistor



Description	Part Number
Resistor, 0603 931R	MC 0.063W 0603 1% 931R
Resistor, 0603 953R	MC 0.063W 0603 1% 953R
Resistor, 0603 976R	MC 0.063W 0603 1% 976R
Resistor, 0603 1K02	MC 0.063W 0603 1% 1K02
Resistor, 0603 1K05	MC 0.063W 0603 1% 1K05
Resistor, 0603 1K07	MC 0.063W 0603 1% 1K07
Resistor, 0603 1K13	MC 0.063W 0603 1% 1K13
Resistor, 0603 1K15	MC 0.063W 0603 1% 1K15
Resistor, 0603 1K18	MC 0.063W 0603 1% 1K18
Resistor, 0603 1K21	MC 0.063W 0603 1% 1K21
Resistor, 0603 1K24	MC 0.063W 0603 1% 1K24
Resistor, 0603 1K27	MC 0.063W 0603 1% 1K27
Resistor, 0603 1K33	MC 0.063W 0603 1% 1K33
Resistor, 0603 1K37	MC 0.063W 0603 1% 1K37
Resistor, 0603 1K4	MC 0.063W 0603 1% 1K4
Resistor, 0603 1K43	MC 0.063W 0603 1% 1K43
Resistor, 0603 1K47	MC 0.063W 0603 1% 1K47
Resistor, 0603 1K54	MC 0.063W 0603 1% 1K54
Resistor, 0603 1K58	MC 0.063W 0603 1% 1K58
Resistor, 0603 1K62	MC 0.063W 0603 1% 1K62
Resistor, 0603 1K65	MC 0.063W 0603 1% 1K65
Resistor, 0603 1K69	MC 0.063W 0603 1% 1K69
Resistor, 0603 1K74	MC 0.063W 0603 1% 1K74
Resistor, 0603 1K78	MC 0.063W 0603 1% 1K78
Resistor, 0603 1K82	MC 0.063W 0603 1% 1K82
Resistor, 0603 1K87	MC 0.063W 0603 1% 1K87
Resistor, 0603 1K91	MC 0.063W 0603 1% 1K91
Resistor, 0603 1K96	MC 0.063W 0603 1% 1K96
Resistor, 0603 2K05	MC 0.063W 0603 1% 2K05
Resistor, 0603 2K1	MC 0.063W 0603 1% 2K1
Resistor, 0603 2K15	MC 0.063W 0603 1% 2K15
Resistor, 0603 2K21	MC 0.063W 0603 1% 2K21
Resistor, 0603 2K26	MC 0.063W 0603 1% 2K26
Resistor, 0603 2K32	MC 0.063W 0603 1% 2K32
Resistor, 0603 2K37	MC 0.063W 0603 1% 2K37
Resistor, 0603 2K43	MC 0.063W 0603 1% 2K43
Resistor, 0603 2K49	MC 0.063W 0603 1% 2K49
Resistor, 0603 2K55	MC 0.063W 0603 1% 2K55

0603

Thick Film Chip Resistor



Description	Part Number
Resistor, 0603 2K61	MC 0.063W 0603 1% 2K61
Resistor, 0603 2K67	MC 0.063W 0603 1% 2K67
Resistor, 0603 2K74	MC 0.063W 0603 1% 2K74
Resistor, 0603 2K8	MC 0.063W 0603 1% 2K8
Resistor, 0603 2K87	MC 0.063W 0603 1% 2K87
Resistor, 0603 2K94	MC 0.063W 0603 1% 2K94
Resistor, 0603 3K01	MC 0.063W 0603 1% 3K01
Resistor, 0603 3K09	MC 0.063W 0603 1% 3K09
Resistor, 0603 3K16	MC 0.063W 0603 1% 3K16
Resistor, 0603 3K24	MC 0.063W 0603 1% 3K24
Resistor, 0603 3K32	MC 0.063W 0603 1% 3K32
Resistor, 0603 3K4	MC 0.063W 0603 1% 3K4
Resistor, 0603 3K48	MC 0.063W 0603 1% 3K48
Resistor, 0603 3K57	MC 0.063W 0603 1% 3K57
Resistor, 0603 3K65	MC 0.063W 0603 1% 3K65
Resistor, 0603 3K74	MC 0.063W 0603 1% 3K74
Resistor, 0603 3K83	MC 0.063W 0603 1% 3K83
Resistor, 0603 3K92	MC 0.063W 0603 1% 3K92
Resistor, 0603 4K02	MC 0.063W 0603 1% 4K02
Resistor, 0603 4K12	MC 0.063W 0603 1% 4K12
Resistor, 0603 4K22	MC 0.063W 0603 1% 4K22
Resistor, 0603 4K32	MC 0.063W 0603 1% 4K32
Resistor, 0603 4K42	MC 0.063W 0603 1% 4K42
Resistor, 0603 4K53	MC 0.063W 0603 1% 4K53
Resistor, 0603 4K64	MC 0.063W 0603 1% 4K64
Resistor, 0603 4K75	MC 0.063W 0603 1% 4K75
Resistor, 0603 4K87	MC 0.063W 0603 1% 4K87
Resistor, 0603 4K99	MC 0.063W 0603 1% 4K99
Resistor, 0603 5K11	MC 0.063W 0603 1% 5K11
Resistor, 0603 5K23	MC 0.063W 0603 1% 5K23
Resistor, 0603 5K36	MC 0.063W 0603 1% 5K36
Resistor, 0603 5K49	MC 0.063W 0603 1% 5K49
Resistor, 0603 5K62	MC 0.063W 0603 1% 5K62
Resistor, 0603 5K76	MC 0.063W 0603 1% 5K76
Resistor, 0603 5K9	MC 0.063W 0603 1% 5K9
Resistor, 0603 6K04	MC 0.063W 0603 1% 6K04
Resistor, 0603 6K19	MC 0.063W 0603 1% 6K19
Resistor, 0603 6K34	MC 0.063W 0603 1% 6K34

0603

Thick Film Chip Resistor



Description	Part Number
Resistor, 0603 6K49	MC 0.063W 0603 1% 6K49
Resistor, 0603 6K65	MC 0.063W 0603 1% 6K65
Resistor, 0603 6K81	MC 0.063W 0603 1% 6K81
Resistor, 0603 6K98	MC 0.063W 0603 1% 6K98
Resistor, 0603 7K15	MC 0.063W 0603 1% 7K15
Resistor, 0603 7K32	MC 0.063W 0603 1% 7K32
Resistor, 0603 7K68	MC 0.063W 0603 1% 7K68
Resistor, 0603 7K87	MC 0.063W 0603 1% 7K87
Resistor, 0603 8K06	MC 0.063W 0603 1% 8K06
Resistor, 0603 8K25	MC 0.063W 0603 1% 8K25
Resistor, 0603 8K45	MC 0.063W 0603 1% 8K45
Resistor, 0603 8K66	MC 0.063W 0603 1% 8K66
Resistor, 0603 8K87	MC 0.063W 0603 1% 8K87
Resistor, 0603 9K09	MC 0.063W 0603 1% 9K09
Resistor, 0603 9K53	MC 0.063W 0603 1% 9K53
Resistor, 0603 9K76	MC 0.063W 0603 1% 9K76
Resistor, 0603 10K2	MC 0.063W 0603 1% 10K2
Resistor, 0603 10K5	MC 0.063W 0603 1% 10K5
Resistor, 0603 10K7	MC 0.063W 0603 1% 10K7
Resistor, 0603 11K3	MC 0.063W 0603 1% 11K3
Resistor, 0603 11K5	MC 0.063W 0603 1% 11K5
Resistor, 0603 11K8	MC 0.063W 0603 1% 11K8
Resistor, 0603 12K1	MC 0.063W 0603 1% 12K1
Resistor, 0603 12K4	MC 0.063W 0603 1% 12K4
Resistor, 0603 12K7	MC 0.063W 0603 1% 12K7
Resistor, 0603 13K3	MC 0.063W 0603 1% 13K3
Resistor, 0603 13K7	MC 0.063W 0603 1% 13K7
Resistor, 0603 14K	MC 0.063W 0603 1% 14K
Resistor, 0603 14K3	MC 0.063W 0603 1% 14K3
Resistor, 0603 14K7	MC 0.063W 0603 1% 14K7
Resistor, 0603 15K4	MC 0.063W 0603 1% 15K4
Resistor, 0603 15K8	MC 0.063W 0603 1% 15K8
Resistor, 0603 16K2	MC 0.063W 0603 1% 16K2
Resistor, 0603 16K5	MC 0.063W 0603 1% 16K5
Resistor, 0603 16K9	MC 0.063W 0603 1% 16K9
Resistor, 0603 17K4	MC 0.063W 0603 1% 17K4
Resistor, 0603 17K8	MC 0.063W 0603 1% 17K8
Resistor, 0603 18K2	MC 0.063W 0603 1% 18K2

0603

Thick Film Chip Resistor



Description	Part Number
Resistor, 0603 18K7	MC 0.063W 0603 1% 18K7
Resistor, 0603 19K1	MC 0.063W 0603 1% 19K1
Resistor, 0603 19K6	MC 0.063W 0603 1% 19K6
Resistor, 0603 20K5	MC 0.063W 0603 1% 20K5
Resistor, 0603 21K	MC 0.063W 0603 1% 21K
Resistor, 0603 21K5	MC 0.063W 0603 1% 21K5
Resistor, 0603 22K1	MC 0.063W 0603 1% 22K1
Resistor, 0603 22K6	MC 0.063W 0603 1% 22K6
Resistor, 0603 23K2	MC 0.063W 0603 1% 23K2
Resistor, 0603 23K7	MC 0.063W 0603 1% 23K7
Resistor, 0603 24K3	MC 0.063W 0603 1% 24K3
Resistor, 0603 24K9	MC 0.063W 0603 1% 24K9
Resistor, 0603 25K5	MC 0.063W 0603 1% 25K5
Resistor, 0603 26K1	MC 0.063W 0603 1% 26K1
Resistor, 0603 26K7	MC 0.063W 0603 1% 26K7
Resistor, 0603 27K4	MC 0.063W 0603 1% 27K4
Resistor, 0603 28K	MC 0.063W 0603 1% 28K
Resistor, 0603 28K7	MC 0.063W 0603 1% 28K7
Resistor, 0603 29K4	MC 0.063W 0603 1% 29K4
Resistor, 0603 30K1	MC 0.063W 0603 1% 30K1
Resistor, 0603 30K9	MC 0.063W 0603 1% 30K9
Resistor, 0603 31K6	MC 0.063W 0603 1% 31K6
Resistor, 0603 32K4	MC 0.063W 0603 1% 32K4
Resistor, 0603 33K2	MC 0.063W 0603 1% 33K2
Resistor, 0603 34K	MC 0.063W 0603 1% 34K
Resistor, 0603 34K8	MC 0.063W 0603 1% 34K8
Resistor, 0603 35K7	MC 0.063W 0603 1% 35K7
Resistor, 0603 36K5	MC 0.063W 0603 1% 36K5
Resistor, 0603 37K4	MC 0.063W 0603 1% 37K4
Resistor, 0603 38K3	MC 0.063W 0603 1% 38K3
Resistor, 0603 39K2	MC 0.063W 0603 1% 39K2
Resistor, 0603 40K2	MC 0.063W 0603 1% 40K2
Resistor, 0603 41K2	MC 0.063W 0603 1% 41K2
Resistor, 0603 42K2	MC 0.063W 0603 1% 42K2
Resistor, 0603 43K2	MC 0.063W 0603 1% 43K2
Resistor, 0603 45K3	MC 0.063W 0603 1% 45K3
Resistor, 0603 46K4	MC 0.063W 0603 1% 46K4
Resistor, 0603 48K7	MC 0.063W 0603 1% 48K7

0603

Thick Film Chip Resistor



Description	Part Number
Resistor, 0603 49K9	MC 0.063W 0603 1% 49K9
Resistor, 0603 51K1	MC 0.063W 0603 1% 51K1
Resistor, 0603 52K3	MC 0.063W 0603 1% 52K3
Resistor, 0603 53K6	MC 0.063W 0603 1% 53K6
Resistor, 0603 54K9	MC 0.063W 0603 1% 54K9
Resistor, 0603 56K2	MC 0.063W 0603 1% 56K2
Resistor, 0603 57K6	MC 0.063W 0603 1% 57K6
Resistor, 0603 59K	MC 0.063W 0603 1% 59K
Resistor, 0603 60K4	MC 0.063W 0603 1% 60K4
Resistor, 0603 61K9	MC 0.063W 0603 1% 61K9
Resistor, 0603 63K4	MC 0.063W 0603 1% 63K4
Resistor, 0603 64K9	MC 0.063W 0603 1% 64K9
Resistor, 0603 66K5	MC 0.063W 0603 1% 66K5
Resistor, 0603 68K1	MC 0.063W 0603 1% 68K1
Resistor, 0603 69K8	MC 0.063W 0603 1% 69K8
Resistor, 0603 71K5	MC 0.063W 0603 1% 71K5
Resistor, 0603 73K2	MC 0.063W 0603 1% 73K2
Resistor, 0603 76K8	MC 0.063W 0603 1% 76K8
Resistor, 0603 78K7	MC 0.063W 0603 1% 78K7
Resistor, 0603 80K6	MC 0.063W 0603 1% 80K6
Resistor, 0603 82K5	MC 0.063W 0603 1% 82K5
Resistor, 0603 84K5	MC 0.063W 0603 1% 84K5
Resistor, 0603 86K6	MC 0.063W 0603 1% 86K6
Resistor, 0603 88K7	MC 0.063W 0603 1% 88K7
Resistor, 0603 90K9	MC 0.063W 0603 1% 90K9
Resistor, 0603 93K1	MC 0.063W 0603 1% 93K1
Resistor, 0603 95K3	MC 0.063W 0603 1% 95K3
Resistor, 0603 97K6	MC 0.063W 0603 1% 97K6
Resistor, 0603 102K	MC 0.063W 0603 1% 102K
Resistor, 0603 105K	MC 0.063W 0603 1% 105K
Resistor, 0603 107K	MC 0.063W 0603 1% 107K
Resistor, 0603 113K	MC 0.063W 0603 1% 113K
Resistor, 0603 115K	MC 0.063W 0603 1% 115K
Resistor, 0603 118K	MC 0.063W 0603 1% 118K
Resistor, 0603 121K	MC 0.063W 0603 1% 121K
Resistor, 0603 124K	MC 0.063W 0603 1% 124K
Resistor, 0603 127K	MC 0.063W 0603 1% 127K
Resistor, 0603 133K	MC 0.063W 0603 1% 133K

0603

Thick Film Chip Resistor



Description	Part Number
Resistor, 0603 137K	MC 0.063W 0603 1% 137K
Resistor, 0603 140K	MC 0.063W 0603 1% 140K
Resistor, 0603 143K	MC 0.063W 0603 1% 143K
Resistor, 0603 147K	MC 0.063W 0603 1% 147K
Resistor, 0603 154K	MC 0.063W 0603 1% 154K
Resistor, 0603 158K	MC 0.063W 0603 1% 158K
Resistor, 0603 165K	MC 0.063W 0603 1% 165K
Resistor, 0603 169K	MC 0.063W 0603 1% 169K
Resistor, 0603 174K	MC 0.063W 0603 1% 174K
Resistor, 0603 182K	MC 0.063W 0603 1% 182K
Resistor, 0603 187K	MC 0.063W 0603 1% 187K
Resistor, 0603 191K	MC 0.063W 0603 1% 191K
Resistor, 0603 196K	MC 0.063W 0603 1% 196K
Resistor, 0603 205K	MC 0.063W 0603 1% 205K
Resistor, 0603 210K	MC 0.063W 0603 1% 210K
Resistor, 0603 215K	MC 0.063W 0603 1% 215K
Resistor, 0603 221K	MC 0.063W 0603 1% 221K
Resistor, 0603 226K	MC 0.063W 0603 1% 226K
Resistor, 0603 232K	MC 0.063W 0603 1% 232K
Resistor, 0603 237K	MC 0.063W 0603 1% 237K
Resistor, 0603 243K	MC 0.063W 0603 1% 243K
Resistor, 0603 249K	MC 0.063W 0603 1% 249K
Resistor, 0603 255K	MC 0.063W 0603 1% 255K
Resistor, 0603 261K	MC 0.063W 0603 1% 261K
Resistor, 0603 267K	MC 0.063W 0603 1% 267K
Resistor, 0603 274K	MC 0.063W 0603 1% 274K
Resistor, 0603 287K	MC 0.063W 0603 1% 287K
Resistor, 0603 294K	MC 0.063W 0603 1% 294K
Resistor, 0603 301K	MC 0.063W 0603 1% 301K
Resistor, 0603 309K	MC 0.063W 0603 1% 309K
Resistor, 0603 316K	MC 0.063W 0603 1% 316K
Resistor, 0603 324K	MC 0.063W 0603 1% 324K
Resistor, 0603 332K	MC 0.063W 0603 1% 332K
Resistor, 0603 340K	MC 0.063W 0603 1% 340K
Resistor, 0603 348K	MC 0.063W 0603 1% 348K
Resistor, 0603 357K	MC 0.063W 0603 1% 357K
Resistor, 0603 365K	MC 0.063W 0603 1% 365K
Resistor, 0603 374K	MC 0.063W 0603 1% 374K

0603

Thick Film Chip Resistor



Description	Part Number
Resistor, 0603 383K	MC 0.063W 0603 1% 383K
Resistor, 0603 392K	MC 0.063W 0603 1% 392K
Resistor, 0603 402K	MC 0.063W 0603 1% 402K
Resistor, 0603 412K	MC 0.063W 0603 1% 412K
Resistor, 0603 422K	MC 0.063W 0603 1% 422K
Resistor, 0603 432K	MC 0.063W 0603 1% 432K
Resistor, 0603 442K	MC 0.063W 0603 1% 442K
Resistor, 0603 453K	MC 0.063W 0603 1% 453K
Resistor, 0603 464K	MC 0.063W 0603 1% 464K
Resistor, 0603 475K	MC 0.063W 0603 1% 475K
Resistor, 0603 487K	MC 0.063W 0603 1% 487K
Resistor, 0603 499K	MC 0.063W 0603 1% 499K
Resistor, 0603 511K	MC 0.063W 0603 1% 511K
Resistor, 0603 523K	MC 0.063W 0603 1% 523K
Resistor, 0603 536K	MC 0.063W 0603 1% 536K
Resistor, 0603 549K	MC 0.063W 0603 1% 549K
Resistor, 0603 562K	MC 0.063W 0603 1% 562K
Resistor, 0603 576K	MC 0.063W 0603 1% 576K
Resistor, 0603 590K	MC 0.063W 0603 1% 590K
Resistor, 0603 604K	MC 0.063W 0603 1% 604K
Resistor, 0603 619K	MC 0.063W 0603 1% 619K
Resistor, 0603 634K	MC 0.063W 0603 1% 634K
Resistor, 0603 649K	MC 0.063W 0603 1% 649K
Resistor, 0603 665K	MC 0.063W 0603 1% 665K
Resistor, 0603 681K	MC 0.063W 0603 1% 681K
Resistor, 0603 698K	MC 0.063W 0603 1% 698K
Resistor, 0603 715K	MC 0.063W 0603 1% 715K
Resistor, 0603 732K	MC 0.063W 0603 1% 732K
Resistor, 0603 768K	MC 0.063W 0603 1% 768K
Resistor, 0603 787K	MC 0.063W 0603 1% 787K
Resistor, 0603 806K	MC 0.063W 0603 1% 806K
Resistor, 0603 825K	MC 0.063W 0603 1% 825K
Resistor, 0603 845K	MC 0.063W 0603 1% 845K
Resistor, 0603 866K	MC 0.063W 0603 1% 866K
Resistor, 0603 887K	MC 0.063W 0603 1% 887K
Resistor, 0603 909K	MC 0.063W 0603 1% 909K
Resistor, 0603 931K	MC 0.063W 0603 1% 931K
Resistor, 0603 953K	MC 0.063W 0603 1% 953K

0603

Thick Film Chip Resistor



Description	Part Number
Resistor, 0603 976K	MC 0.063W 0603 1% 976K
Resistor, 0603, 750K, 1%, Full Reel	MC0.063W06031%750KFR
Resistor, 0603, 787K, 1%, Full Reel	MC0.063W06031%787KFR
Resistor, 0603, 820K, 1%, Full Reel	MC0.063W06031%820KFR
Resistor, 0603, 825K, 1%, Full Reel	MC0.063W06031%825KFR
Resistor, 0603, 866K, 1%, Full Reel	MC0.063W06031%866KFR
Resistor, 0603, 909K, 1%, Full Reel	MC0.063W06031%909KFR
Resistor, 0603, 910K, 1%, Full Reel	MC0.063W06031%910KFR
Resistor, 0603, 953K, 1%, Full Reel	MC0.063W06031%953KFR
Resistor, 0603, 1M00, 1%, Full Reel	MC0.063W06031%1MFR
Resistor, 0603, 1M05, 1%, Full Reel	MC0.063W06031%1M05FR
Resistor, 0603, 1M10, 1%, Full Reel	MC0.063W06031%1M10FR
Resistor, 0603, 1M15, 1%, Full Reel	MC0.063W06031%1M15FR
Resistor, 0603, 1M20, 1%, Full Reel	MC0.063W06031%1M20FR
Resistor, 0603, 1M21, 1%, Full Reel	MC0.063W06031%1M21FR
Resistor, 0603, 1M27, 1%, Full Reel	MC0.063W06031%1M27FR
Resistor, 0603, 1M30, 1%, Full Reel	MC0.063W06031%1M30FR
Resistor, 0603, 1M33, 1%, Full Reel	MC0.063W06031%1M33FR
Resistor, 0603, 1M40, 1%, Full Reel	MC0.063W06031%1M40FR
Resistor, 0603, 1M50, 1%, Full Reel	MC0.063W06031%1M50FR
Resistor, 0603, 1M54, 1%, Full Reel	MC0.063W06031%1M54FR
Resistor, 0603, 1M60, 1%, Full Reel	MC0.063W06031%1M60FR
Resistor, 0603, 1M62, 1%, Full Reel	MC0.063W06031%1M62FR
Resistor, 0603, 1M69, 1%, Full Reel	MC0.063W06031%1M69FR
Resistor, 0603, 1M78, 1%, Full Reel	MC0.063W06031%1M78FR
Resistor, 0603, 1M80, 1%, Full Reel	MC0.063W06031%1M80FR
Resistor, 0603, 1M87, 1%, Full Reel	MC0.063W06031%1M87FR
Resistor, 0603, 2M00, 1%, Full Reel	MC0.063W06031%2M00FR
Resistor, 0603, 2M20, 1%, Full Reel	MC0.063W06031%2M20FR
Resistor, 0603, 2M26, 1%, Full Reel	MC0.063W06031%2M26FR
Resistor, 0603, 2M37, 1%, Full Reel	MC0.063W06031%2M37FR
Resistor, 0603, 2M40, 1%, Full Reel	MC0.063W06031%2M40FR
Resistor, 0603, 2M49, 1%, Full Reel	MC0.063W06031%2M49FR
Resistor, 0603, 2M61, 1%, Full Reel	MC0.063W06031%2M61FR
Resistor, 0603, 2M70, 1%, Full Reel	MC0.063W06031%2M70FR
Resistor, 0603, 2M74, 1%, Full Reel	MC0.063W06031%2M74FR
Resistor, 0603, 2M87, 1%, Full Reel	MC0.063W06031%2M87FR
Resistor, 0603, 3M00, 1%, Full Reel	MC0.063W06031%3M00FR

0603

Thick Film Chip Resistor



Description	Part Number
Resistor, 0603, 3M01, 1%, Full Reel	MC0.063W06031%3M01FR
Resistor, 0603, 3M30, 1%, Full Reel	MC0.063W06031%3M30FR
Resistor, 0603, 3M32, 1%, Full Reel	MC0.063W06031%3M32FR
Resistor, 0603, 3M48, 1%, Full Reel	MC0.063W06031%3M48FR
Resistor, 0603, 3M60, 1%, Full Reel	MC0.063W06031%3M60FR
Resistor, 0603, 3M65, 1%, Full Reel	MC0.063W06031%3M65FR
Resistor, 0603, 3M83, 1%, Full Reel	MC0.063W06031%3M83FR
Resistor, 0603, 3M90, 1%, Full Reel	MC0.063W06031%3M90FR
Resistor, 0603, 4M02, 1%, Full Reel	MC0.063W06031%4M02FR
Resistor, 0603, 4M30, 1%, Full Reel	MC0.063W06031%4M30FR
Resistor, 0603, 4M42, 1%, Full Reel	MC0.063W06031%4M42FR
Resistor, 0603, 4M64, 1%, Full Reel	MC0.063W06031%4M64FR
Resistor, 0603, 4M70, 1%, Full Reel	MC0.063W06031%4M70FR
Resistor, 0603, 5M10, 1%, Full Reel	MC0.063W06031%5M10FR
Resistor, 0603, 5M11, 1%, Full Reel	MC0.063W06031%5M11FR
Resistor, 0603, 5M60, 1%, Full Reel	MC0.063W06031%5M60FR
Resistor, 0603, 5M62, 1%, Full Reel	MC0.063W06031%5M62FR
Resistor, 0603, 5M90, 1%, Full Reel	MC0.063W06031%5M90FR
Resistor, 0603, 6M20, 1%, Full Reel	MC0.063W06031%6M20FR
Resistor, 0603, 6M49, 1%, Full Reel	MC0.063W06031%6M49FR
Resistor, 0603, 6M80, 1%, Full Reel	MC0.063W06031%6M80FR
Resistor, 0603, 7M50, 1%, Full Reel	MC0.063W06031%7M50FR
Resistor, 0603, 8M20, 1%, Full Reel	MC0.063W06031%8M20FR
Resistor, 0603, 9M10, 1%, Full Reel	MC0.063W06031%9M10FR
Resistor, 0603, 9M53, 1%, Full Reel	MC0.063W06031%9M53FR
Resistor, 0603, 10M0, 1%, Full Reel	MC0.063W06031%10M0FR
Resistor, 0603, 1R0, 1%, Full Reel	MC0.063W06031%1R0FR
Resistor, 0603, 1R10, 1%, Full Reel	MC0.063W06031%1R10FR
Resistor, 0603, 1R15, 1%, Full Reel	MC0.063W06031%1R15FR
Resistor, 0603, 1R20, 1%, Full Reel	MC0.063W06031%1R20FR
Resistor, 0603, 1R21, 1%, Full Reel	MC0.063W06031%1R21FR
Resistor, 0603, 1R27, 1%, Full Reel	MC0.063W06031%1R27FR
Resistor, 0603, 1R30, 1%, Full Reel	MC0.063W06031%1R30FR
Resistor, 0603, 1R33, 1%, Full Reel	MC0.063W06031%1R33FR
Resistor, 0603, 1R40, 1%, Full Reel	MC0.063W06031%1R40FR
Resistor, 0603, 1R47, 1%, Full Reel	MC0.063W06031%1R47FR
Resistor, 0603, 1R50, 1%, Full Reel	MC0.063W06031%1R5FR
Resistor, 0603, 1R54, 1%, Full Reel	MC0.063W06031%1R54FR

0603

Thick Film Chip Resistor



Description	Part Number
Resistor, 0603, 1R60, 1%, Full Reel	MC0.063W06031%1R60FR
Resistor, 0603, 1R62, 1%, Full Reel	MC0.063W06031%1R62FR
Resistor, 0603, 1R78, 1%, Full Reel	MC0.063W06031%1R78FR
Resistor, 0603, 1R80, 1%, Full Reel	MC0.063W06031%1R80FR
Resistor, 0603, 1R87, 1%, Full Reel	MC0.063W06031%1R87FR
Resistor, 0603, 1R96, 1%, Full Reel	MC0.063W06031%1R96FR
Resistor, 0603, 2R0, 1%, Full Reel	MC0.063W06031%2R0FR
Resistor, 0603, 2R20, 1%, Full Reel	MC0.063W06031%2R2FR
Resistor, 0603, 2R40, 1%, Full Reel	MC0.063W06031%2R40FR
Resistor, 0603, 2R49, 1%, Full Reel	MC0.063W06031%2R49FR
Resistor, 0603, 2R70, 1%, Full Reel	MC0.063W06031%2R70FR
Resistor, 0603, 2R74, 1%, Full Reel	MC0.063W06031%2R74FR
Resistor, 0603, 2R87, 1%, Full Reel	MC0.063W06031%2R87FR
Resistor, 0603, 3R0, 1%, Full Reel	MC0.063W06031%3R0FR
Resistor, 0603, 3R16, 1%, Full Reel	MC0.063W06031%3R16FR
Resistor, 0603, 3R30, 1%, Full Reel	MC0.063W06031%3R3FR
Resistor, 0603, 3R32, 1%, Full Reel	MC0.063W06031%3R32FR
Resistor, 0603, 3R48, 1%, Full Reel	MC0.063W06031%3R48FR
Resistor, 0603, 3R60, 1%, Full Reel	MC0.063W06031%3R60FR
Resistor, 0603, 3R65, 1%, Full Reel	MC0.063W06031%3R65FR
Resistor, 0603, 3R83, 1%, Full Reel	MC0.063W06031%3R83FR
Resistor, 0603, 3R90, 1%, Full Reel	MC0.063W06031%3R90FR
Resistor, 0603, 4R22, 1%, Full Reel	MC0.063W06031%4R22FR
Resistor, 0603, 4R30, 1%, Full Reel	MC0.063W06031%4R30FR
Resistor, 0603, 4R42, 1%, Full Reel	MC0.063W06031%4R42FR
Resistor, 0603, 4R64, 1%, Full Reel	MC0.063W06031%4R64FR
Resistor, 0603, 4R70, 1%, Full Reel	MC0.063W06031%4R7FR
Resistor, 0603, 4R87, 1%, Full Reel	MC0.063W06031%4R87FR
Resistor, 0603, 5R10, 1%, Full Reel	MC0.063W06031%5R10FR
Resistor, 0603, 5R11, 1%, Full Reel	MC0.063W06031%5R11FR
Resistor, 0603, 5R60, 1%, Full Reel	MC0.063W06031%5R60FR
Resistor, 0603, 5R62, 1%, Full Reel	MC0.063W06031%5R62FR
Resistor, 0603, 5R90, 1%, Full Reel	MC0.063W06031%5R90FR
Resistor, 0603, 6R19, 1%, Full Reel	MC0.063W06031%6R19FR
Resistor, 0603, 6R20, 1%, Full Reel	MC0.063W06031%6R20FR
Resistor, 0603, 6R49, 1%, Full Reel	MC0.063W06031%6R49FR
Resistor, 0603, 6R80, 1%, Full Reel	MC0.063W06031%6R8FR

0603

Thick Film Chip Resistor



Description	Part Number
Resistor, 0603, 6R81, 1%, Full Reel	MC0.063W06031%6R81FR
Resistor, 0603, 7R15, 1%, Full Reel	MC0.063W06031%7R15FR
Resistor, 0603, 7R50, 1%, Full Reel	MC0.063W06031%7R50FR
Resistor, 0603, 7R87, 1%, Full Reel	MC0.063W06031%7R87FR
Resistor, 0603, 8R20, 1%, Full Reel	MC0.063W06031%8R20FR
Resistor, 0603, 8R25, 1%, Full Reel	MC0.063W06031%8R25FR
Resistor, 0603, 8R66, 1%, Full Reel	MC0.063W06031%8R66FR
Resistor, 0603, 9R10, 1%, Full Reel	MC0.063W06031%9R10FR
Resistor, 0603, 9R53, 1%, Full Reel	MC0.063W06031%9R53FR
Resistor, 0603, 10R0, 1%, Full Reel	MC0.063W06031%10RFR
Resistor, 0603, 10R5, 1%, Full Reel	MC0.063W06031%10R5FR
Resistor, 0603, 11R0, 1%, Full Reel	MC0.063W06031%11RFR
Resistor, 0603, 11R5, 1%, Full Reel	MC0.063W06031%11R5FR
Resistor, 0603, 12R0, 1%, Full Reel	MC0.063W06031%12RFR
Resistor, 0603, 12R1, 1%, Full Reel	MC0.063W06031%12R1FR
Resistor, 0603, 13R0, 1%, Full Reel	MC0.063W06031%13RFR
Resistor, 0603, 14R0, 1%, Full Reel	MC0.063W06031%14RFR
Resistor, 0603, 14R7, 1%, Full Reel	MC0.063W06031%14R7FR
Resistor, 0603, 15R0, 1%, Full Reel	MC0.063W06031%15RFR
Resistor, 0603, 15R4, 1%, Full Reel	MC0.063W06031%15R4FR
Resistor, 0603, 16R0, 1%, Full Reel	MC0.063W06031%16RFR
Resistor, 0603, 16R2, 1%, Full Reel	MC0.063W06031%16R2FR
Resistor, 0603, 16R9, 1%, Full Reel	MC0.063W06031%16R9FR
Resistor, 0603, 17R8, 1%, Full Reel	MC0.063W06031%17R8FR
Resistor, 0603, 18R0, 1%, Full Reel	MC0.063W06031%18RFR
Resistor, 0603, 18R7, 1%, Full Reel	MC0.063W06031%18R7FR
Resistor, 0603, 19R6, 1%, Full Reel	MC0.063W06031%19R6FR
Resistor, 0603, 20R0, 1%, Full Reel	MC0.063W06031%20RFR
Resistor, 0603, 20R5, 1%, Full Reel	MC0.063W06031%20R5FR
Resistor, 0603, 21R5, 1%, Full Reel	MC0.063W06031%21R5FR
Resistor, 0603, 22R0, 1%, Full Reel	MC0.063W06031%22RFR
Resistor, 0603, 22R6, 1%, Full Reel	MC0.063W06031%22R6FR
Resistor, 0603, 23R7, 1%, Full Reel	MC0.063W06031%23R7FR
Resistor, 0603, 24R0, 1%, Full Reel	MC0.063W06031%24RFR
Resistor, 0603, 24R9, 1%, Full Reel	MC0.063W06031%24R9FR
Resistor, 0603, 26R1, 1%, Full Reel	MC0.063W06031%26R1FR
Resistor, 0603, 27R0, 1%, Full Reel	MC0.063W06031%27RFR
Resistor, 0603, 27R4, 1%, Full Reel	MC0.063W06031%27R4FR

0603

Thick Film Chip Resistor



Description	Part Number
Resistor, 0603, 28R7, 1%, Full Reel	MC0.063W06031%28R7FR
Resistor, 0603, 30R0, 1%, Full Reel	MC0.063W06031%30RFR
Resistor, 0603, 30R1, 1%, Full Reel	MC0.063W06031%30R1FR
Resistor, 0603, 31R6, 1%, Full Reel	MC0.063W06031%31R6FR
Resistor, 0603, 33R0, 1%, Full Reel	MC0.063W06031%33RFR
Resistor, 0603, 33R2, 1%, Full Reel	MC0.063W06031%33R2FR
Resistor, 0603, 34R8, 1%, Full Reel	MC0.063W06031%34R8FR
Resistor, 0603, 36R0, 1%, Full Reel	MC0.063W06031%36RFR
Resistor, 0603, 36R5, 1%, Full Reel	MC0.063W06031%36R5FR
Resistor, 0603, 38R3, 1%, Full Reel	MC0.063W06031%38R3FR
Resistor, 0603, 39R0, 1%, Full Reel	MC0.063W06031%39RFR
Resistor, 0603, 40R2, 1%, Full Reel	MC0.063W06031%40R2FR
Resistor, 0603, 42R2, 1%, Full Reel	MC0.063W06031%42R2FR
Resistor, 0603, 43R0, 1%, Full Reel	MC0.063W06031%43RFR
Resistor, 0603, 44R2, 1%, Full Reel	MC0.063W06031%44R2FR
Resistor, 0603, 46R4, 1%, Full Reel	MC0.063W06031%46R4FR
Resistor, 0603, 47R0, 1%, Full Reel	MC0.063W06031%47RFR
Resistor, 0603, 48R7, 1%, Full Reel	MC0.063W06031%48R7FR
Resistor, 0603, 49R9, 1%, Full Reel	MC0.063W06031%49R9FR
Resistor, 0603, 51R0, 1%, Full Reel	MC0.063W06031%51RFR
Resistor, 0603, 51R1, 1%, Full Reel	MC0.063W06031%51R1FR
Resistor, 0603, 53R6, 1%, Full Reel	MC0.063W06031%53R6FR
Resistor, 0603, 56R0, 1%, Full Reel	MC0.063W06031%56RFR
Resistor, 0603, 56R2, 1%, Full Reel	MC0.063W06031%56R2FR
Resistor, 0603, 59R0, 1%, Full Reel	MC0.063W06031%59RFR
Resistor, 0603, 61R9, 1%, Full Reel	MC0.063W06031%61R9FR
Resistor, 0603, 62R0, 1%, Full Reel	MC0.063W06031%62RFR
Resistor, 0603, 64R9, 1%, Full Reel	MC0.063W06031%64R9FR
Resistor, 0603, 68R0, 1%, Full Reel	MC0.063W06031%68RFR
Resistor, 0603, 68R1, 1%, Full Reel	MC0.063W06031%68R1FR
Resistor, 0603, 71R5, 1%, Full Reel	MC0.063W06031%71R5FR
Resistor, 0603, 75R0, 1%, Full Reel	MC0.063W06031%75RFR
Resistor, 0603, 78R7, 1%, Full Reel	MC0.063W06031%78R7FR
Resistor, 0603, 82R0, 1%, Full Reel	MC0.063W06031%82RFR
Resistor, 0603, 82R5, 1%, Full Reel	MC0.063W06031%82R5FR
Resistor, 0603, 86R6, 1%, Full Reel	MC0.063W06031%86R6FR
Resistor, 0603, 90R9, 1%, Full Reel	MC0.063W06031%90R9FR
Resistor, 0603, 91R0, 1%, Full Reel	MC0.063W06031%91RFR

0603

Thick Film Chip Resistor



Description	Part Number
Resistor, 0603, 95R3, 1%, Full Reel	MC0.063W06031%95R3FR
Resistor, 0603, 100R, 1%, Full Reel	MC0.063W06031%100RFR
Resistor, 0603, 105R, 1%, Full Reel	MC0.063W06031%105RFR
Resistor, 0603, 110R, 1%, Full Reel	MC0.063W06031%110RFR
Resistor, 0603, 115R, 1%, Full Reel	MC0.063W06031%115RFR
Resistor, 0603, 120R, 1%, Full Reel	MC0.063W06031%120RFR
Resistor, 0603, 121R, 1%, Full Reel	MC0.063W06031%121RFR
Resistor, 0603, 127R, 1%, Full Reel	MC0.063W06031%127RFR
Resistor, 0603, 130R, 1%, Full Reel	MC0.063W06031%130RFR
Resistor, 0603, 133R, 1%, Full Reel	MC0.063W06031%133RFR
Resistor, 0603, 140R, 1%, Full Reel	MC0.063W06031%140RFR
Resistor, 0603, 147R, 1%, Full Reel	MC0.063W06031%147RFR
Resistor, 0603, 150R, 1%, Full Reel	MC0.063W06031%150RFR
Resistor, 0603, 154R, 1%, Full Reel	MC0.063W06031%154RFR
Resistor, 0603, 160R, 1%, Full Reel	MC0.063W06031%160RFR
Resistor, 0603, 162R, 1%, Full Reel	MC0.063W06031%162RFR
Resistor, 0603, 169R, 1%, Full Reel	MC0.063W06031%169RFR
Resistor, 0603, 178R, 1%, Full Reel	MC0.063W06031%178RFR
Resistor, 0603, 180R, 1%, Full Reel	MC0.063W06031%180RFR
Resistor, 0603, 187R, 1%, Full Reel	MC0.063W06031%187RFR
Resistor, 0603, 196R, 1%, Full Reel	MC0.063W06031%196RFR
Resistor, 0603, 200R, 1%, Full Reel	MC0.063W06031%200RFR
Resistor, 0603, 205R, 1%, Full Reel	MC0.063W06031%205RFR
Resistor, 0603, 215R, 1%, Full Reel	MC0.063W06031%215RFR
Resistor, 0603, 220R, 1%, Full Reel	MC0.063W06031%220RFR
Resistor, 0603, 226R, 1%, Full Reel	MC0.063W06031%226RFR
Resistor, 0603, 237R, 1%, Full Reel	MC0.063W06031%237RFR
Resistor, 0603, 240R, 1%, Full Reel	MC0.063W06031%240RFR
Resistor, 0603, 249R, 1%, Full Reel	MC0.063W06031%249RFR
Resistor, 0603, 261R, 1%, Full Reel	MC0.063W06031%261RFR
Resistor, 0603, 270R, 1%, Full Reel	MC0.063W06031%270RFR
Resistor, 0603, 274R, 1%, Full Reel	MC0.063W06031%274RFR
Resistor, 0603, 287R, 1%, Full Reel	MC0.063W06031%287RFR
Resistor, 0603, 300R, 1%, Full Reel	MC0.063W06031%300RFR
Resistor, 0603, 301R, 1%, Full Reel	MC0.063W06031%301RFR
Resistor, 0603, 316R, 1%, Full Reel	MC0.063W06031%316RFR
Resistor, 0603, 330R, 1%, Full Reel	MC0.063W06031%330RFR
Resistor, 0603, 332R, 1%, Full Reel	MC0.063W06031%332RFR

0603

Thick Film Chip Resistor



Description	Part Number
Resistor, 0603, 348R, 1%, Full Reel	MC0.063W06031%348RFR
Resistor, 0603, 360R, 1%, Full Reel	MC0.063W06031%360RFR
Resistor, 0603, 365R, 1%, Full Reel	MC0.063W06031%365RFR
Resistor, 0603, 383R, 1%, Full Reel	MC0.063W06031%383RFR
Resistor, 0603, 390R, 1%, Full Reel	MC0.063W06031%390RFR
Resistor, 0603, 402R, 1%, Full Reel	MC0.063W06031%402RFR
Resistor, 0603, 422R, 1%, Full Reel	MC0.063W06031%422RFR
Resistor, 0603, 430R, 1%, Full Reel	MC0.063W06031%430RFR
Resistor, 0603, 442R, 1%, Full Reel	MC0.063W06031%442RFR
Resistor, 0603, 464R, 1%, Full Reel	MC0.063W06031%464RFR
Resistor, 0603, 470R, 1%, Full Reel	MC0.063W06031%470RFR
Resistor, 0603, 475R, 1%, Full Reel	MC0.063W06031%475RFR
Resistor, 0603, 487R, 1%, Full Reel	MC0.063W06031%487RFR
Resistor, 0603, 510R, 1%, Full Reel	MC0.063W06031%510RFR
Resistor, 0603, 511R, 1%, Full Reel	MC0.063W06031%511RFR
Resistor, 0603, 536R, 1%, Full Reel	MC0.063W06031%536RFR
Resistor, 0603, 560R, 1%, Full Reel	MC0.063W06031%560RFR
Resistor, 0603, 562R, 1%, Full Reel	MC0.063W06031%562RFR
Resistor, 0603, 590R, 1%, Full Reel	MC0.063W06031%590RFR
Resistor, 0603, 619R, 1%, Full Reel	MC0.063W06031%619RFR
Resistor, 0603, 620R, 1%, Full Reel	MC0.063W06031%620RFR
Resistor, 0603, 649R, 1%, Full Reel	MC0.063W06031%649RFR
Resistor, 0603, 680R, 1%, Full Reel	MC0.063W06031%680RFR
Resistor, 0603, 681R, 1%, Full Reel	MC0603WGF6810T5EFR
Resistor, 0603, 715R, 1%, Full Reel	MC0.063W06031%715RFR
Resistor, 0603, 750R, 1%, Full Reel	MC0.063W06031%750RFR
Resistor, 0603, 787R, 1%, Full Reel	MC0.063W06031%787RFR
Resistor, 0603, 820R, 1%, Full Reel	MC0.063W06031%820RFR
Resistor, 0603, 825R, 1%, Full Reel	MC0.063W06031%825RFR
Resistor, 0603, 866R, 1%, Full Reel	MC0.063W06031%866RFR
Resistor, 0603, 909R, 1%, Full Reel	MC0.063W06031%909RFR
Resistor, 0603, 910R, 1%, Full Reel	MC0.063W06031%910RFR
Resistor, 0603, 953R, 1%, Full Reel	MC0.063W06031%953RFR
Resistor, 0603, 1K00, 1%, Full Reel	MC0.063W06031%1KFR
Resistor, 0603, 1K05, 1%, Full Reel	MC0.063W06031%1K05FR
Resistor, 0603, 1K10, 1%, Full Reel	MC0.063W06031%1K1FR
Resistor, 0603, 1K15, 1%, Full Reel	MC0.063W06031%1K15FR
Resistor, 0603, 1K20, 1%, Full Reel	MC0.063W06031%1K2FR

0603

Thick Film Chip Resistor



Description	Part Number
Resistor, 0603, 1K21, 1%, Full Reel	MC0.063W06031%1K21FR
Resistor, 0603, 1K27, 1%, Full Reel	MC0.063W06031%1K27FR
Resistor, 0603, 1K30, 1%, Full Reel	MC0.063W06031%1K3FR
Resistor, 0603, 1K33, 1%, Full Reel	MC0.063W06031%1K33FR
Resistor, 0603, 1K40, 1%, Full Reel	MC0.063W06031%1K4FR
Resistor, 0603, 1K47, 1%, Full Reel	MC0.063W06031%1K47FR
Resistor, 0603, 1K50, 1%, Full Reel	MC0.063W06031%1K5FR
Resistor, 0603, 1K54, 1%, Full Reel	MC0.063W06031%1K54FR
Resistor, 0603, 1K60, 1%, Full Reel	MC0.063W06031%1K6FR
Resistor, 0603, 1K62, 1%, Full Reel	MC0.063W06031%1K62FR
Resistor, 0603, 1K69, 1%, Full Reel	MC0.063W06031%1K69FR
Resistor, 0603, 1K78, 1%, Full Reel	MC0.063W06031%1K78FR
Resistor, 0603, 1K80, 1%, Full Reel	MC0.063W06031%1K8FR
Resistor, 0603, 1K87, 1%, Full Reel	MC0.063W06031%1K87FR
Resistor, 0603, 1K96, 1%, Full Reel	MC0.063W06031%1K96FR
Resistor, 0603, 2K00, 1%, Full Reel	MC0.063W06031%2KFR
Resistor, 0603, 2K05, 1%, Full Reel	MC0.063W06031%2K05FR
Resistor, 0603, 2K15, 1%, Full Reel	MC0.063W06031%2K15FR
Resistor, 0603, 2K20, 1%, Full Reel	MC0.063W06031%2K2FR
Resistor, 0603, 2K26, 1%, Full Reel	MC0.063W06031%2K26FR
Resistor, 0603, 2K37, 1%, Full Reel	MC0.063W06031%2K37FR
Resistor, 0603, 2K40, 1%, Full Reel	MC0.063W06031%2K4FR
Resistor, 0603, 2K49, 1%, Full Reel	MC0.063W06031%2K49FR
Resistor, 0603, 2K61, 1%, Full Reel	MC0.063W06031%2K61FR
Resistor, 0603, 2K70, 1%, Full Reel	MC0.063W06031%2K7FR
Resistor, 0603, 2K74, 1%, Full Reel	MC0.063W06031%2K74FR
Resistor, 0603, 2K87, 1%, Full Reel	MC0.063W06031%2K87FR
Resistor, 0603, 3K00, 1%, Full Reel	MC0.063W06031%3KFR
Resistor, 0603, 3K01, 1%, Full Reel	MC0.063W06031%3K01FR
Resistor, 0603, 3K16, 1%, Full Reel	MC0.063W06031%3K16FR
Resistor, 0603, 3K30, 1%, Full Reel	MC0.063W06031%3K3FR
Resistor, 0603, 3K32, 1%, Full Reel	MC0.063W06031%3K32FR
Resistor, 0603, 3K48, 1%, Full Reel	MC0.063W06031%3K48FR
Resistor, 0603, 3K60, 1%, Full Reel	MC0.063W06031%3K6FR
Resistor, 0603, 3K65, 1%, Full Reel	MC0.063W06031%3K65FR
Resistor, 0603, 3K83, 1%, Full Reel	MC0.063W06031%3K83FR
Resistor, 0603, 3K90, 1%, Full Reel	MC0.063W06031%3K9FR

0603

Thick Film Chip Resistor



Description	Part Number
Resistor, 0603, 4K02, 1%, Full Reel	MC0.063W06031%4K02FR
Resistor, 0603, 4K22, 1%, Full Reel	MC0.063W06031%4K22FR
Resistor, 0603, 4K30, 1%, Full Reel	MC0.063W06031%4K3FR
Resistor, 0603, 4K42, 1%, Full Reel	MC0.063W06031%4K42FR
Resistor, 0603, 4K64, 1%, Full Reel	MC0.063W06031%4K64FR
Resistor, 0603, 4K70, 1%, Full Reel	MC0.063W06031%4K7FR
Resistor, 0603, 4K75, 1%, Full Reel	MC0.063W06031%4K75FR
Resistor, 0603, 4K87, 1%, Full Reel	MC0.063W06031%4K87FR
Resistor, 0603, 4K99, 1%, Full Reel	MC0.063W06031%4K99FR
Resistor, 0603, 5K10, 1%, Full Reel	MC0.063W06031%5K1FR
Resistor, 0603, 5K11, 1%, Full Reel	MC0.063W06031%5K11FR
Resistor, 0603, 5K36, 1%, Full Reel	MC0.063W06031%5K36FR
Resistor, 0603, 5K60, 1%, Full Reel	MC0.063W06031%5K6FR
Resistor, 0603, 5K62, 1%, Full Reel	MC0.063W06031%5K62FR
Resistor, 0603, 5K90, 1%, Full Reel	MC0.063W06031%5K9FR
Resistor, 0603, 6K04, 1%, Full Reel	MC0.063W06031%6K04FR
Resistor, 0603, 6K19, 1%, Full Reel	MC0.063W06031%6K19FR
Resistor, 0603, 6K20, 1%, Full Reel	MC0.063W06031%6K2FR
Resistor, 0603, 6K49, 1%, Full Reel	MC0.063W06031%6K49FR
Resistor, 0603, 6K80, 1%, Full Reel	MC0.063W06031%6K8FR
Resistor, 0603, 6K81, 1%, Full Reel	MC0.063W06031%6K81FR
Resistor, 0603, 7K15, 1%, Full Reel	MC0.063W06031%7K15FR
Resistor, 0603, 7K50, 1%, Full Reel	MC0.063W06031%7K5FR
Resistor, 0603, 7K87, 1%, Full Reel	MC0.063W06031%7K87FR
Resistor, 0603, 8K20, 1%, Full Reel	MC0.063W06031%8K2FR
Resistor, 0603, 8K25, 1%, Full Reel	MC0.063W06031%8K25FR
Resistor, 0603, 8K66, 1%, Full Reel	MC0.063W06031%8K66FR
Resistor, 0603, 9K09, 1%, Full Reel	MC0.063W06031%9K09FR
Resistor, 0603, 9K10, 1%, Full Reel	MC0.063W06031%9K1FR
Resistor, 0603, 9K53, 1%, Full Reel	MC0.063W06031%9K53FR
Resistor, 0603, 10K0, 1%, Full Reel	MC0.063W06031%10KFR
Resistor, 0603, 10K5, 1%, Full Reel	MC0.063W06031%10K5FR
Resistor, 0603, 11K0, 1%, Full Reel	MC0.063W06031%11KFR
Resistor, 0603, 11K5, 1%, Full Reel	MC0.063W06031%11K5FR
Resistor, 0603, 12K0, 1%, Full Reel	MC0.063W06031%12KFR
Resistor, 0603, 12K1, 1%, Full Reel	MC0.063W06031%12K1FR
Resistor, 0603, 12K4, 1%, Full Reel	MC0.063W06031%12K4FR
Resistor, 0603, 12K7, 1%, Full Reel	MC0.063W06031%12K7FR

0603

Thick Film Chip Resistor



Description	Part Number
Resistor, 0603, 13K0, 1%, Full Reel	MC0.063W06031%13KFR
Resistor, 0603, 13K3, 1%, Full Reel	MC0.063W06031%13K3FR
Resistor, 0603, 14K0, 1%, Full Reel	MC0.063W06031%14KFR
Resistor, 0603, 14K7, 1%, Full Reel	MC0.063W06031%14K7FR
Resistor, 0603, 15K0, 1%, Full Reel	MC0.063W06031%15KFR
Resistor, 0603, 15K4, 1%, Full Reel	MC0.063W06031%15K4FR
Resistor, 0603, 16K0, 1%, Full Reel	MC0.063W06031%16KFR
Resistor, 0603, 16K2, 1%, Full Reel	MC0.063W06031%16K2FR
Resistor, 0603, 16K9, 1%, Full Reel	MC0.063W06031%16K9FR
Resistor, 0603, 17K8, 1%, Full Reel	MC0.063W06031%17K8FR
Resistor, 0603, 18K0, 1%, Full Reel	MC0.063W06031%18KFR
Resistor, 0603, 18K7, 1%, Full Reel	MC0.063W06031%18K7FR
Resistor, 0603, 19K6, 1%, Full Reel	MC0.063W06031%19K6FR
Resistor, 0603, 20K0, 1%, Full Reel	MC0.063W06031%20KFR
Resistor, 0603, 20K5, 1%, Full Reel	MC0.063W06031%20K5FR
Resistor, 0603, 21K5, 1%, Full Reel	MC0.063W06031%21K5FR
Resistor, 0603, 22K0, 1%, Full Reel	MC0.063W06031%22KFR
Resistor, 0603, 22K6, 1%, Full Reel	MC0.063W06031%22K6FR
Resistor, 0603, 23K7, 1%, Full Reel	MC0.063W06031%23K7FR
Resistor, 0603, 24K0, 1%, Full Reel	MC0.063W06031%24KFR
Resistor, 0603, 24K9, 1%, Full Reel	MC0.063W06031%24K9FR
Resistor, 0603, 26K1, 1%, Full Reel	MC0.063W06031%26K1FR
Resistor, 0603, 27K0, 1%, Full Reel	MC0.063W06031%27KFR
Resistor, 0603, 27K4, 1%, Full Reel	MC0.063W06031%27K4FR
Resistor, 0603, 28K7, 1%, Full Reel	MC0.063W06031%28K7FR
Resistor, 0603, 30K0, 1%, Full Reel	MC0.063W06031%30KFR
Resistor, 0603, 30K1, 1%, Full Reel	MC0.063W06031%30K1FR
Resistor, 0603, 31K6, 1%, Full Reel	MC0.063W06031%31K6FR
Resistor, 0603, 33K0, 1%, Full Reel	MC0.063W06031%33KFR
Resistor, 0603, 33K2, 1%, Full Reel	MC0.063W06031%33K2FR
Resistor, 0603, 34K8, 1%, Full Reel	MC0.063W06031%34K8FR
Resistor, 0603, 36K0, 1%, Full Reel	MC0.063W06031%36KFR
Resistor, 0603, 36K5, 1%, Full Reel	MC0.063W06031%36K5FR
Resistor, 0603, 38K3, 1%, Full Reel	MC0.063W06031%38K3FR
Resistor, 0603, 39K0, 1%, Full Reel	MC0.063W06031%39KFR
Resistor, 0603, 40K2, 1%, Full Reel	MC0.063W06031%40K2FR
Resistor, 0603, 42K2, 1%, Full Reel	MC0.063W06031%42K2FR
Resistor, 0603, 43K0, 1%, Full Reel	MC0.063W06031%43KFR

0603

Thick Film Chip Resistor



Description	Part Number
Resistor, 0603, 44K2, 1%, Full Reel	MC0.063W06031%44K2FR
Resistor, 0603, 46K4, 1%, Full Reel	MC0.063W06031%46K4FR
Resistor, 0603, 47K0, 1%, Full Reel	MC0.063W06031%47KFR
Resistor, 0603, 47K5, 1%, Full Reel	MC0.063W06031%47K5FR
Resistor, 0603, 48K7, 1%, Full Reel	MC0.063W06031%48K7FR
Resistor, 0603, 49K9, 1%, Full Reel	MC0.063W06031%49K9FR
Resistor, 0603, 51K0, 1%, Full Reel	MC0.063W06031%51KFR
Resistor, 0603, 51K1, 1%, Full Reel	MC0.063W06031%51K1FR
Resistor, 0603, 53K6, 1%, Full Reel	MC0.063W06031%53K6FR
Resistor, 0603, 56K0, 1%, Full Reel	MC0.063W06031%56KFR
Resistor, 0603, 56K2, 1%, Full Reel	MC0.063W06031%56K2FR
Resistor, 0603, 59K0, 1%, Full Reel	MC0.063W06031%59KFR
Resistor, 0603, 61K9, 1%, Full Reel	MC0.063W06031%61K9FR
Resistor, 0603, 62K0, 1%, Full Reel	MC0.063W06031%62KFR
Resistor, 0603, 64K9, 1%, Full Reel	MC0.063W06031%64K9FR
Resistor, 0603, 68K0, 1%, Full Reel	MC0.063W06031%68KFR
Resistor, 0603, 68K1, 1%, Full Reel	MC0.063W06031%68K1FR
Resistor, 0603, 71K5, 1%, Full Reel	MC0.063W06031%71K5FR
Resistor, 0603, 75K0, 1%, Full Reel	MC0.063W06031%75KFR
Resistor, 0603, 78K7, 1%, Full Reel	MC0.063W06031%78K7FR
Resistor, 0603, 82K0, 1%, Full Reel	MC0.063W06031%82KFR
Resistor, 0603, 82K5, 1%, Full Reel	MC0.063W06031%82K5FR
Resistor, 0603, 86K6, 1%, Full Reel	MC0.063W06031%86K6FR
Resistor, 0603, 90K9, 1%, Full Reel	MC0.063W06031%90K9FR
Resistor, 0603, 91K0, 1%, Full Reel	MC0.063W06031%91KFR
Resistor, 0603, 95K3, 1%, Full Reel	MC0.063W06031%95K3FR
Resistor, 0603, 100K, 1%, Full Reel	MC0.063W06031%100KFR
Resistor, 0603, 105K, 1%, Full Reel	MC0.063W06031%105KFR
Resistor, 0603, 110K, 1%, Full Reel	MC0.063W06031%110KFR
Resistor, 0603, 115K, 1%, Full Reel	MC0.063W06031%115KFR
Resistor, 0603, 120K, 1%, Full Reel	MC0.063W06031%120KFR
Resistor, 0603, 121K, 1%, Full Reel	MC0.063W06031%121KFR
Resistor, 0603, 127K, 1%, Full Reel	MC0.063W06031%127KFR
Resistor, 0603, 130K, 1%, Full Reel	MC0.063W06031%130KFR
Resistor, 0603, 133K, 1%, Full Reel	MC0.063W06031%133KFR
Resistor, 0603, 140K, 1%, Full Reel	MC0.063W06031%140KFR
Resistor, 0603, 147K, 1%, Full Reel	MC0.063W06031%147KFR
Resistor, 0603, 150K, 1%, Full Reel	MC0.063W06031%150KFR

0603

Thick Film Chip Resistor



Description	Part Number
Resistor, 0603, 154K, 1%, Full Reel	MC0.063W06031%154KFR
Resistor, 0603, 160K, 1%, Full Reel	MC0.063W06031%160KFR
Resistor, 0603, 162K, 1%, Full Reel	MC0.063W06031%162KFR
Resistor, 0603, 169K, 1%, Full Reel	MC0.063W06031%169KFR
Resistor, 0603, 178K, 1%, Full Reel	MC0.063W06031%178KFR
Resistor, 0603, 180K, 1%, Full Reel	MC0.063W06031%180KFR
Resistor, 0603, 187K, 1%, Full Reel	MC0.063W06031%187KFR
Resistor, 0603, 196K, 1%, Full Reel	MC0.063W06031%196KFR
Resistor, 0603, 200K, 1%, Full Reel	MC0.063W06031%200KFR
Resistor, 0603, 205K, 1%, Full Reel	MC0.063W06031%205KFR
Resistor, 0603, 215K, 1%, Full Reel	MC0.063W06031%215KFR
Resistor, 0603, 220K, 1%, Full Reel	MC0.063W06031%220KFR
Resistor, 0603, 226K, 1%, Full Reel	MC0.063W06031%226KFR
Resistor, 0603, 237K, 1%, Full Reel	MC0.063W06031%237KFR
Resistor, 0603, 240K, 1%, Full Reel	MC0.063W06031%240KFR
Resistor, 0603, 249K, 1%, Full Reel	MC0.063W06031%249KFR
Resistor, 0603, 261K, 1%, Full Reel	MC0.063W06031%261KFR
Resistor, 0603, 270K, 1%, Full Reel	MC0.063W06031%270KFR
Resistor, 0603, 274K, 1%, Full Reel	MC0.063W06031%274KFR
Resistor, 0603, 287K, 1%, Full Reel	MC0.063W06031%287KFR
Resistor, 0603, 300K, 1%, Full Reel	MC0.063W06031%300KFR
Resistor, 0603, 301K, 1%, Full Reel	MC0.063W06031%301KFR
Resistor, 0603, 316K, 1%, Full Reel	MC0.063W06031%316KFR
Resistor, 0603, 330K, 1%, Full Reel	MC0.063W06031%330KFR
Resistor, 0603, 332K, 1%, Full Reel	MC0.063W06031%332KFR
Resistor, 0603, 348K, 1%, Full Reel	MC0.063W06031%348KFR
Resistor, 0603, 360K, 1%, Full Reel	MC0.063W06031%360KFR
Resistor, 0603, 365K, 1%, Full Reel	MC0.063W06031%365KFR
Resistor, 0603, 390K, 1%, Full Reel	MC0.063W06031%390KFR
Resistor, 0603, 402K, 1%, Full Reel	MC0.063W06031%402KFR
Resistor, 0603, 422K, 1%, Full Reel	MC0.063W06031%422KFR
Resistor, 0603, 430K, 1%, Full Reel	MC0.063W06031%430KFR
Resistor, 0603, 442K, 1%, Full Reel	MC0.063W06031%442KFR
Resistor, 0603, 464K, 1%, Full Reel	MC0.063W06031%464KFR
Resistor, 0603, 470K, 1%, Full Reel	MC0.063W06031%470KFR
Resistor, 0603, 487K, 1%, Full Reel	MC0.063W06031%487KFR
Resistor, 0603, 499K, 1%, Full Reel	MC0.063W06031%499KFR
Resistor, 0603, 510K, 1%, Full Reel	MC0.063W06031%510KFR

0603

Thick Film Chip Resistor



Description	Part Number
Resistor, 0603, 511K, 1%, Full Reel	MC0.063W06031%511KFR
Resistor, 0603, 536K, 1%, Full Reel	MC0.063W06031%536KFR
Resistor, 0603, 560K, 1%, Full Reel	MC0.063W06031%560KFR
Resistor, 0603, 562K, 1%, Full Reel	MC0.063W06031%562KFR
Resistor, 0603, 590K, 1%, Full Reel	MC0.063W06031%590KFR
Resistor, 0603, 619K, 1%, Full Reel	MC0.063W06031%619KFR
Resistor, 0603, 620K, 1%, Full Reel	MC0.063W06031%620KFR
Resistor, 0603, 649K, 1%, Full Reel	MC0.063W06031%649KFR
Resistor, 0603, 680K, 1%, Full Reel	MC0.063W06031%680KFR
Resistor, 0603, 681K, 1%, Full Reel	MC0.063W06031%681KFR
Resistor, 0603, 715K, 1%, Full Reel	MC0.063W06031%715KFR
Resistor, 0603, 1R0, 1%	MC0.063W06031%1R0
Resistor, 0603, 1R10, 1%	MC0.063W06031%1R10
Resistor, 0603, 1R15, 1%	MC0.063W06031%1R15
Resistor, 0603, 1R20, 1%	MC0.063W06031%1R20
Resistor, 0603, 1R21, 1%	MC0.063W06031%1R21
Resistor, 0603, 1R27, 1%	MC0.063W06031%1R27
Resistor, 0603, 1R30, 1%	MC0.063W06031%1R30
Resistor, 0603, 1R33, 1%	MC0.063W06031%1R33
Resistor, 0603, 1R40, 1%	MC0.063W06031%1R40
Resistor, 0603, 1R47, 1%	MC0.063W06031%1R47
Resistor, 0603, 1R54, 1%	MC0.063W06031%1R54
Resistor, 0603, 1R60, 1%	MC0.063W06031%1R60
Resistor, 0603, 1R62, 1%	MC0.063W06031%1R62
Resistor, 0603, 1R78, 1%	MC0.063W06031%1R78
Resistor, 0603, 1R80, 1%	MC0.063W06031%1R80
Resistor, 0603, 1R87, 1%	MC0.063W06031%1R87
Resistor, 0603, 1R96, 1%	MC0.063W06031%1R96
Resistor, 0603, 2R0, 1%	MC0.063W06031%2R0
Resistor, 0603, 2R40, 1%	MC0.063W06031%2R40
Resistor, 0603, 2R49, 1%	MC0.063W06031%2R49
Resistor, 0603, 2R70, 1%	MC0.063W06031%2R70
Resistor, 0603, 2R74, 1%	MC0.063W06031%2R74
Resistor, 0603, 2R87, 1%	MC0.063W06031%2R87
Resistor, 0603, 3R0, 1%	MC0.063W06031%3R0
Resistor, 0603, 3R16, 1%	MC0.063W06031%3R16
Resistor, 0603, 3R32, 1%	MC0.063W06031%3R32
Resistor, 0603, 3R48, 1%	MC0.063W06031%3R48

0603

Thick Film Chip Resistor



Description	Part Number
Resistor, 0603, 3R60, 1%	MC0.063W06031%3R60
Resistor, 0603, 3R65, 1%	MC0.063W06031%3R65
Resistor, 0603, 3R83, 1%	MC0.063W06031%3R83
Resistor, 0603, 3R90, 1%	MC0.063W06031%3R90
Resistor, 0603, 4R22, 1%	MC0.063W06031%4R22
Resistor, 0603, 4R30, 1%	MC0.063W06031%4R30
Resistor, 0603, 4R42, 1%	MC0.063W06031%4R42
Resistor, 0603, 4R64, 1%	MC0.063W06031%4R64
Resistor, 0603, 4R87, 1%	MC0.063W06031%4R87
Resistor, 0603, 5R10, 1%	MC0.063W06031%5R10
Resistor, 0603, 5R11, 1%	MC0.063W06031%5R11
Resistor, 0603, 5R60, 1%	MC0.063W06031%5R60
Resistor, 0603, 5R62, 1%	MC0.063W06031%5R62
Resistor, 0603, 5R90, 1%	MC0.063W06031%5R90
Resistor, 0603, 6R19, 1%	MC0.063W06031%6R19
Resistor, 0603, 6R20, 1%	MC0.063W06031%6R20
Resistor, 0603, 6R49, 1%	MC0.063W06031%6R49
Resistor, 0603, 6R81, 1%	MC0.063W06031%6R81
Resistor, 0603, 7R15, 1%	MC0.063W06031%7R15
Resistor, 0603, 7R50, 1%	MC0.063W06031%7R50
Resistor, 0603, 7R87, 1%	MC0.063W06031%7R87
Resistor, 0603, 8R20, 1%	MC0.063W06031%8R20
Resistor, 0603, 8R25, 1%	MC0.063W06031%8R25
Resistor, 0603, 8R66, 1%	MC0.063W06031%8R66
Resistor, 0603, 9R10, 1%	MC0.063W06031%9R10
Resistor, 0603, 9R53, 1%	MC0.063W06031%9R53
Resistor, 0603, 51R1, 1%	MC0.063W06031%51R1
Resistor, 0603, 44K2, 1%	MC0.063W06031%44K2
Resistor, 0603, 47K5, 1%	MC0.063W06031%47K5
Resistor, 0603, 162K, 1%	MC0.063W06031%162K
Resistor, 0603, 178K, 1%	MC0.063W06031%178K
Resistor, 0603, 1M05, 1%	MC0.063W06031%1M05
Resistor, 0603, 1M10, 1%	MC0.063W06031%1M10
Resistor, 0603, 1M15, 1%	MC0.063W06031%1M15
Resistor, 0603, 1M20, 1%	MC0.063W06031%1M20
Resistor, 0603, 1M21, 1%	MC0.063W06031%1M21
Resistor, 0603, 1M27, 1%	MC0.063W06031%1M27
Resistor, 0603, 1M30, 1%	MC0.063W06031%1M30

0603

Thick Film Chip Resistor



Description	Part Number
Resistor, 0603, 1M33, 1%	MC0.063W06031%1M33
Resistor, 0603, 1M40, 1%	MC0.063W06031%1M40
Resistor, 0603, 1M50, 1%	MC0.063W06031%1M50
Resistor, 0603, 1M54, 1%	MC0.063W06031%1M54
Resistor, 0603, 1M60, 1%	MC0.063W06031%1M60
Resistor, 0603, 1M62, 1%	MC0.063W06031%1M62
Resistor, 0603, 1M69, 1%	MC0.063W06031%1M69
Resistor, 0603, 1M78, 1%	MC0.063W06031%1M78
Resistor, 0603, 1M80, 1%	MC0.063W06031%1M80
Resistor, 0603, 1M87, 1%	MC0.063W06031%1M87
Resistor, 0603, 2M00, 1%	MC0.063W06031%2M00
Resistor, 0603, 2M20, 1%	MC0.063W06031%2M20
Resistor, 0603, 2M26, 1%	MC0.063W06031%2M26
Resistor, 0603, 2M37, 1%	MC0.063W06031%2M37
Resistor, 0603, 2M40, 1%	MC0.063W06031%2M40
Resistor, 0603, 2M49, 1%	MC0.063W06031%2M49
Resistor, 0603, 2M61, 1%	MC0.063W06031%2M61
Resistor, 0603, 2M70, 1%	MC0.063W06031%2M70
Resistor, 0603, 2M74, 1%	MC0.063W06031%2M74
Resistor, 0603, 2M87, 1%	MC0.063W06031%2M87
Resistor, 0603, 3M00, 1%	MC0.063W06031%3M00
Resistor, 0603, 3M01, 1%	MC0.063W06031%3M01
Resistor, 0603, 3M30, 1%	MC0.063W06031%3M30
Resistor, 0603, 3M32, 1%	MC0.063W06031%3M32
Resistor, 0603, 3M48, 1%	MC0.063W06031%3M48
Resistor, 0603, 3M60, 1%	MC0.063W06031%3M60
Resistor, 0603, 3M65, 1%	MC0.063W06031%3M65
Resistor, 0603, 3M83, 1%	MC0.063W06031%3M83
Resistor, 0603, 3M90, 1%	MC0.063W06031%3M90
Resistor, 0603, 4M02, 1%	MC0.063W06031%4M02
Resistor, 0603, 4M30, 1%	MC0.063W06031%4M30
Resistor, 0603, 4M42, 1%	MC0.063W06031%4M42
Resistor, 0603, 4M64, 1%	MC0.063W06031%4M64
Resistor, 0603, 4M70, 1%	MC0.063W06031%4M70
Resistor, 0603, 5M10, 1%	MC0.063W06031%5M10
Resistor, 0603, 5M11, 1%	MC0.063W06031%5M11
Resistor, 0603, 5M60, 1%	MC0.063W06031%5M60
Resistor, 0603, 5M62, 1%	MC0.063W06031%5M62

0603

Thick Film Chip Resistor



Description	Part Number
Resistor, 0603, 5M90, 1%	MC0.063W06031%5M90
Resistor, 0603, 6M20, 1%	MC0.063W06031%6M20
Resistor, 0603, 6M49, 1%	MC0.063W06031%6M49
Resistor, 0603, 6M80, 1%	MC0.063W06031%6M80
Resistor, 0603, 7M50, 1%	MC0.063W06031%7M50
Resistor, 0603, 8M20, 1%	MC0.063W06031%8M20
Resistor, 0603, 9M10, 1%	MC0.063W06031%9M10
Resistor, 0603, 9M53, 1%	MC0.063W06031%9M53
Resistor, 0603, 10M0, 1%	MC0.063W06031%10M0
Resistor, 0603 100R,0.063W,1%	MC 0.063W 0603 1% 100R
Resistor, 0603 1K,0.063,1%	MC 0.063W 0603 1% 1K
Resistor, 0603 10K,0.063W,1%	MC 0.063W 0603 1% 10K
Resistor, 0603 100K,0.063W,1%	MC 0.063W 0603 1% 100K
Resistor, 0603 1M,0.063W,1%	MC 0.063W 0603 1% 1M
Resistor, 10R, 63MW, 1%	MC 0.063W 0603 1% 10R
Resistor, 0603 110R	MC 0.063W 0603 1% 110R
Resistor, 0603, 1K1, 1%, 0.063W	MC 0.063W 0603 1% 1K1
Resistor, 0603 11K	MC 0.063W 0603 1% 11K
Resistor, 0603 110K	MC 0.063W 0603 1% 110K
Resistor, 0603 11R	MC 0.063W 0603 1% 11R
Resistor, 0603 120R	MC 0.063W 0603 1% 120R
Resistor, 0603, 1K2	MC 0.063W 0603 1% 1K2
Resistor, 12K, 63MW, 1%	MC 0.063W 0603 1% 12K
Resistor, 0603 120K	MC 0.063W 0603 1% 120K
Resistor, 0603 12R	MC 0.063W 0603 1% 12R
Resistor, 0603 130R	MC 0.063W 0603 1% 130R
Resistor, 0603 1K3	MC 0.063W 0603 1% 1K3
Resistor, 0603 13K	MC 0.063W 0603 1% 13K
Resistor, 0603 130K	MC 0.063W 0603 1% 130K
Resistor, 0603 13R	MC 0.063W 0603 1% 13R
Resistor, 0603 150R	MC 0.063W 0603 1% 150R
Resistor, 0603 1K5	MC 0.063W 0603 1% 1K5
Resistor, 0603 15K	MC 0.063W 0603 1% 15K
Resistor, 0603, 150K	MC 0.063W 0603 1% 150K
Resistor, 0603 15R	MC 0.063W 0603 1% 15R
Resistor, 0603 1R5	MC 0.063W 0603 1% 1R5
Resistor, 0603 160R	MC 0.063W 0603 1% 160R
Resistor, 0603 1K6	MC 0.063W 0603 1% 1K6

0603

Thick Film Chip Resistor



Description	Part Number
Resistor, 0603 16K	MC 0.063W 0603 1% 16K
Resistor, 0603 160K	MC 0.063W 0603 1% 160K
Resistor, 0603 16R	MC 0.063W 0603 1% 16R
Resistor, 0603 180R	MC 0.063W 0603 1% 180R
Resistor, 0603 1K8	MC 0.063W 0603 1% 1K8
Resistor, 0603 18K	MC 0.063W 0603 1% 18K
Resistor, 0603 180K	MC 0.063W 0603 1% 180K
Resistor, 0603 18R	MC 0.063W 0603 1% 18R
Resistor, 0603 200R	MC 0.063W 0603 1% 200R
Resistor, 2K, 0.063W, 1%	MC 0.063W 0603 1% 2K
Resistor, 20K, 63MW, 1%	MC 0.063W 0603 1% 20K
Resistor, 0603 200K	MC 0.063W 0603 1% 200K
Resistor, 0603 20R	MC 0.063W 0603 1% 20R
Resistor, 220R, 0.063W, 1%	MC 0.063W 0603 1% 220R
Resistor, 0603 2K2,0.063W,1%	MC 0.063W 0603 1% 2K2
Resistor, 22K, 0.063W, 1%	MC 0.063W 0603 1% 22K
Resistor, 0603 220K	MC 0.063W 0603 1% 220K
Resistor, 0603 22R	MC 0.063W 0603 1% 22R
Resistor, 0603 2R2	MC 0.063W 0603 1% 2R2
Resistor, 0603 240R	MC 0.063W 0603 1% 240R
Resistor, 0603, 2K4, 1%, 63MW	MC 0.063W 0603 1% 2K4
Resistor, 0603 24K	MC 0.063W 0603 1% 24K
Resistor, 0603 240K	MC 0.063W 0603 1% 240K
Resistor, 0603 24R	MC 0.063W 0603 1% 24R
Resistor, 0603 270R	MC 0.063W 0603 1% 270R
Resistor, 0603 2K7	MC 0.063W 0603 1% 2K7
Resistor, 0603 27K	MC 0.063W 0603 1% 27K
Resistor, 0603 270K	MC 0.063W 0603 1% 270K
Resistor, 0603 27R	MC 0.063W 0603 1% 27R
Resistor, 0603 300R	MC 0.063W 0603 1% 300R
Resistor, 0603 3K	MC 0.063W 0603 1% 3K
Resistor, 0603, 30K, 1%, 0.063W	MC 0.063W 0603 1% 30K
Resistor, 0603 300K	MC 0.063W 0603 1% 300K
Resistor, 0603 30R	MC 0.063W 0603 1% 30R
Resistor, 0603 330R	MC 0.063W 0603 1% 330R
Resistor, 3K3, 63MW, 1%	MC 0.063W 0603 1% 3K3
Resistor, 33K, 63MW, 1%	MC 0.063W 0603 1% 33K
Resistor, 0603 330K	MC 0.063W 0603 1% 330K

0603

Thick Film Chip Resistor



Description	Part Number
Resistor, 0603 33R	MC 0.063W 0603 1% 33R
Resistor, 0603 3R3	MC 0.063W 0603 1% 3R3
Resistor, 0603 360R	MC 0.063W 0603 1% 360R
Resistor, 0603 3K6	MC 0.063W 0603 1% 3K6
Resistor, 0603 36K	MC 0.063W 0603 1% 36K
Resistor, 0603 360K	MC 0.063W 0603 1% 360K
Resistor, 0603 36R	MC 0.063W 0603 1% 36R
Resistor, 0603, 390R	MC 0.063W 0603 1% 390R
Resistor, 0603, 3K9	MC 0.063W 0603 1% 3K9
Resistor, 0603, 39K, 1%, 0.063W	MC 0.063W 0603 1% 39K
Resistor, 0603 390K	MC 0.063W 0603 1% 390K
Resistor, 0603 39R	MC 0.063W 0603 1% 39R
Resistor, 0603 430R	MC 0.063W 0603 1% 430R
Resistor, 0603 4K3	MC 0.063W 0603 1% 4K3
Resistor, 0603 43K	MC 0.063W 0603 1% 43K
Resistor, 0603 430K	MC 0.063W 0603 1% 430K
Resistor, 0603 43R	MC 0.063W 0603 1% 43R
Resistor, 470OHM, 0.063W, 1%	MC 0.063W 0603 1% 470R
Resistor, 0603 4K7,0.063W,1%	MC 0.063W 0603 1% 4K7
Resistor, 0603 47K,0.063,1%	MC 0.063W 0603 1% 47K
Resistor, 0603 470K	MC 0.063W 0603 1% 470K
Resistor, 47R, 63MW, 1%	MC 0.063W 0603 1% 47R
Resistor, 0603, 4R7, 1%, 0.063W	MC 0.063W 0603 1% 4R7
Resistor, 0603 510R	MC 0.063W 0603 1% 510R
Resistor, 0603 5K1	MC 0.063W 0603 1% 5K1
Resistor, 0603, 51K, 1%, 0.063W	MC 0.063W 0603 1% 51K
Resistor, 0603 510K	MC 0.063W 0603 1% 510K
Resistor, 51R, 63MW, 1%	MC 0.063W 0603 1% 51R
Resistor, 0603, 560R	MC 0.063W 0603 1% 560R
Resistor, 0603, 5K6, 1%, 0.063W	MC 0.063W 0603 1% 5K6
Resistor, 0603 56K	MC 0.063W 0603 1% 56K
Resistor, 0603 560K	MC 0.063W 0603 1% 560K
Resistor, 0603 56R	MC 0.063W 0603 1% 56R
Resistor, 0603 620R	MC 0.063W 0603 1% 620R
Resistor, 0603, 6K2, 1%, 63MW	MC 0.063W 0603 1% 6K2
Resistor, 0603 62K	MC 0.063W 0603 1% 62K
Resistor, 0603 620K	MC 0.063W 0603 1% 620K
Resistor, 0603 62R	MC 0.063W 0603 1% 62R

0603

Thick Film Chip Resistor



Description	Part Number
Resistor, 0603 680R	MC 0.063W 0603 1% 680R
Resistor, 0603 6K8	MC 0.063W 0603 1% 6K8
Resistor, 0603, 68K, 1%, 63MW	MC 0.063W 0603 1% 68K
Resistor, 0603 680K	MC 0.063W 0603 1% 680K
Resistor, 0603 68R	MC 0.063W 0603 1% 68R
Resistor, 0603 6R8	MC 0.063W 0603 1% 6R8
Resistor, 0603 750R	MC 0.063W 0603 1% 750R
Resistor, 0603 7K5	MC 0.063W 0603 1% 7K5
Resistor, 0603 75K	MC 0.063W 0603 1% 75K
Resistor, 0603 750K	MC 0.063W 0603 1% 750K
Resistor, 0603 75R	MC 0.063W 0603 1% 75R
Resistor, 0603 820R	MC 0.063W 0603 1% 820R
Resistor, 0603, 8K2, 1%, 63MW	MC 0.063W 0603 1% 8K2
Resistor, 0603 82K	MC 0.063W 0603 1% 82K
Resistor, 0603 820K	MC 0.063W 0603 1% 820K
Resistor, 0603 82R	MC 0.063W 0603 1% 82R
Resistor, 0603 910R	MC 0.063W 0603 1% 910R
Resistor, 0603 9K1	MC 0.063W 0603 1% 9K1
Resistor, 0603 91K	MC 0.063W 0603 1% 91K
Resistor, 0603 910K	MC 0.063W 0603 1% 910K
Resistor, 0603 91R	MC 0.063W 0603 1% 91R
Resistor KIT, 0603, E24, 1%	0603WGFE240KIT
Resistor KIT, 0603 E24 1%	0603WGFE240KIT.

Important Notice : This data sheet and its contents (the "Information") belong to the members of the Premier Farnell group of companies (the "Group") or are licensed to it. No licence is granted for the use of it other than for information purposes in connection with the products to which it relates. No licence of any intellectual property rights is granted. The Information is subject to change without notice and replaces all data sheets previously supplied. The Information supplied is believed to be accurate but the Group assumes no responsibility for its accuracy or completeness, any error in or omission from it or for any use made of it. Users of this data sheet should check for themselves the Information and the suitability of the products for their purpose and not make any assumptions based on information included or omitted. Liability for loss or damage resulting from any reliance on the Information or use of it (including liability resulting from negligence or where the Group was aware of the possibility of such loss or damage arising) is excluded. This will not operate to limit or restrict the Group's liability for death or personal injury resulting from its negligence. Multicomp is the registered trademark of the Group. © Premier Farnell plc 2012.