

**Secced Co.,Ltd.**



Secnovo is the approved member of IABM

0303Rm, B tower, HuiZhi Building Xueqing road, Haidian District, 100085  
Beijing, China

---

## Preface

### **Thank you and congratulation on your new Reach tripod kit from Secced**

We want you to get the most from your new Reach tripod kit, and therefore encourage you to read this operator guide to familiarise yourself with its many features, some of which may be new to you. It also covers essential health and safety information and a section on maintenance that will ensure you keep your new product in perfect condition.

To receive additional benefits, register with Secced now, on line by visiting [www.secced.com](http://www.secced.com), or by completing the registration form.

### **Features and benefits of your new Reach Tripod**

Designed to meet the demands of the professional camera operator, the Reach tripod combines an innovative dual hand wheel design and new advances in manufacturing technology. Increased drag system results in smoother movement of head; new counterbalance system ensures the faster camera balance.

Tripod combines the innovative clamping system with new advances in manufacturing technology, Reach tripods are available with aluminium or carbon fibre legs in single- or two-stage configuration and with 75mm, 100mm, 150mm bowl mounting. Lighter tripods with increased payload capacity. Extensive height range and unrivalled torsional stiffness.

Once again, thank you for choosing the Reach tripods.

We are confident it will give you many years of reliable performance

---

## Safety - Read this first

### Warning Symbols in this Operators Guides



Where there is a risk of personal injury, injury to others, or damage to the tripods or associated equipment, comments appear, highlighted by the word **WARNING!** and supported by the warning triangle symbol.

---

# Content

Preface .....	1
Safety - Read This First .....	2
Fluid Head .....	4
Tripod .....	16
Floor Sperader .....	20
Mid Level Spreader .....	23
Reach Tripod Kit .....	27
Tripod Kit Packing List .....	32
Optional Accessories .....	32

Copyright©Secced Co., Ltd

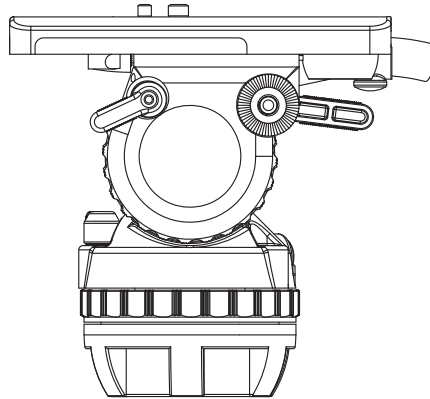
All right reserved throughout the world. No part of this document may be stored in a retrieval system, transmitted, copied or reproduced in any way including, but not limited to, photocopy, photograph, magnetic or other record without the prior agreement and permission in writing of Secced Co., Ltd

Secced are registered trademarks of Beijing Secced Co., Ltd

Printed in People Republic of China by Secced, Beijing.

---

# Fluid Head



Reach series head has 11 models, Reach 1 -- 5 is DV head, Reach 6 -- 11 are ENG head, every ENG head has bubble level, but DV head has non, and Reach 9 -- 11 are equipped with double telescopic pan bar.

## Content

---

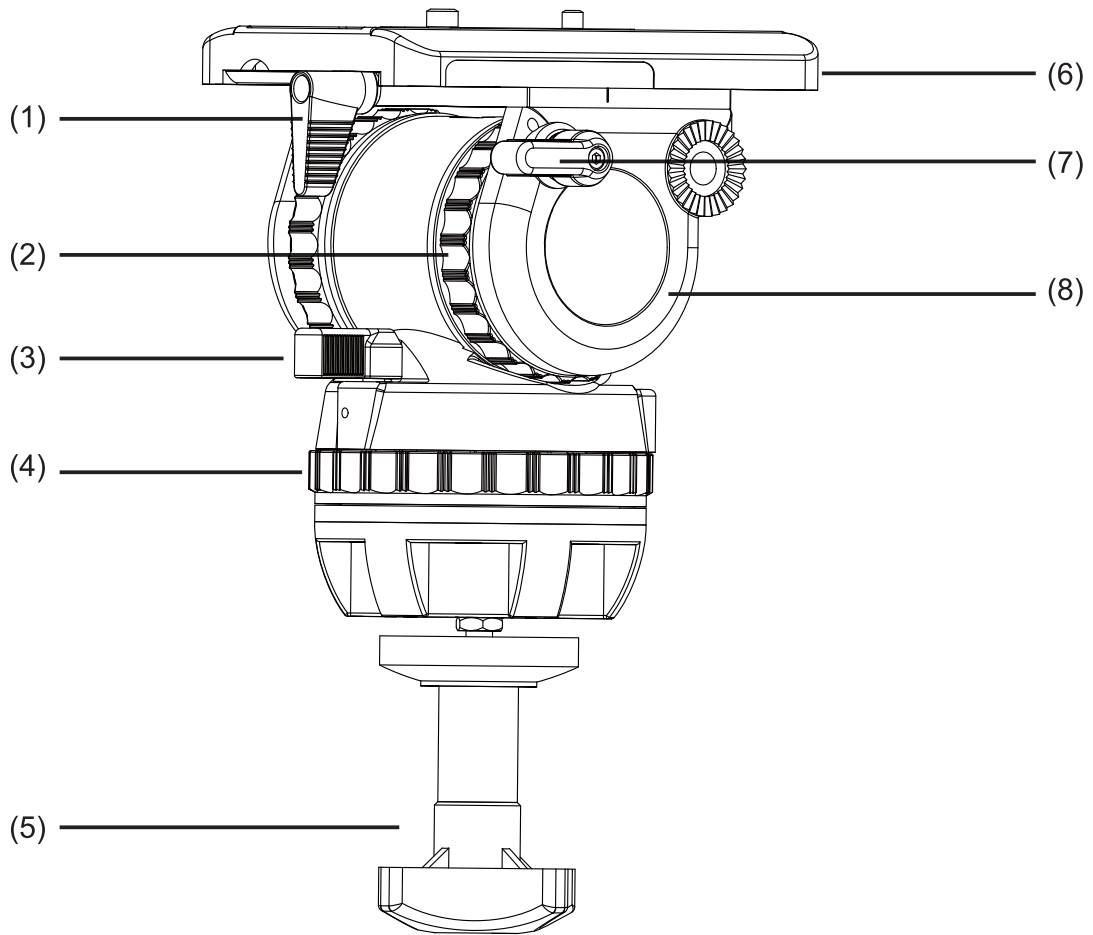
Technical data .....	5
Installing the pan bar .....	8
Mounting the camera .....	9
Pan and tilt brakes .....	13
Battery Changing .....	14
Maintenance .....	15

---

## Specification

Model	Bowl Size	Weight	Payload	Counterbalance	Drag (Pan/Tilt)	Tilt Range
SC-DV2/75AH	75mm	2.38kg	0~2kg	0~3	0~3 / 0~3	-75° to +90°
SC-DV4/75AH	75mm	2.47kg	0~4kg	0~4	0~3 / 0~3	-75° to +90°
SC-DV6/75AH	75mm	2.5kg	0.6~6.6kg	1~8	0~3 / 0~3	-75° to +90°
SC-DV8/75AH	75mm	2.95kg	2.4~7.5kg	1~8	0~5 / 0~5	-75° to +90°
SC-DV10/75AH	75mm	3kg	1~9.5kg	1~8	0~5 / 0~5	-75° to +90°
SC-V8/100AH	100mm	2.95kg	1~9.5kg	1~8	0~5 / 0~5	-75° to +90°
SC-V12/100AH	100mm	3.41kg	3.8~14kg	1~8	0~5 / 0~5	-75° to +90°
SC-V15/100AH	100mm	3.8kg	5.5~16.5kg	1~8	0~7 / 0~7	-75° to +90°
SC-V18/100AH	100mm	5.1kg	9~20kg	1~8	0~7 / 0~7	-75° to +90°
SC-V20/100AH	100mm	5.45kg	12~25kg	1~8	0~7 / 0~7	-75° to +90°
SC-V25/100AH	150mm	7.03kg	21~35kg	1~8	0~7 / 0~7	-75° to +90°

Fig 1

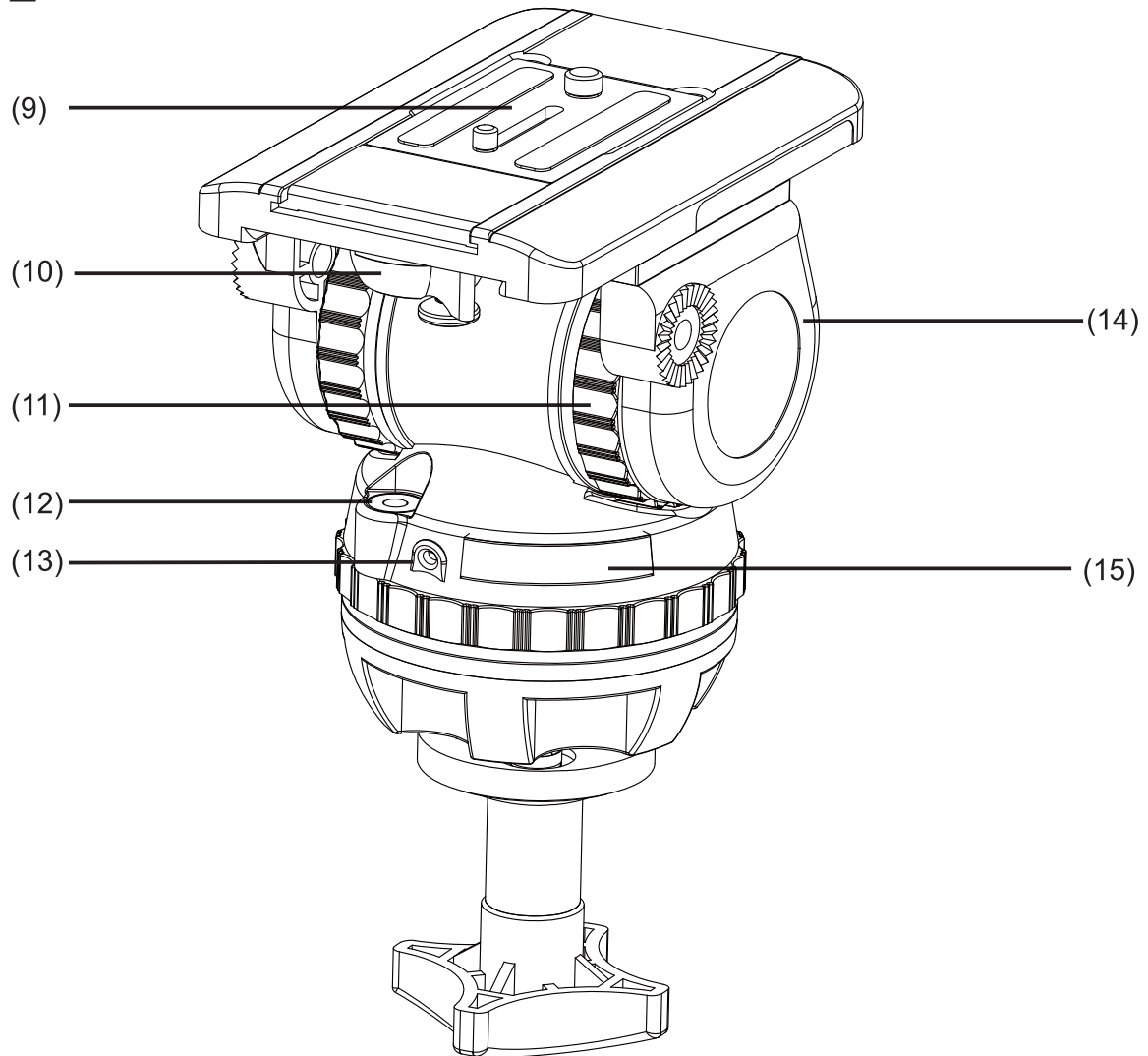


---

### Fluid Head (Left-Hand Side)

- |     |                           |
|-----|---------------------------|
| (1) | Slide plate clamp         |
| (2) | Tilt drag adjustment knob |
| (3) | Pan brake knob            |
| (4) | Pan drag adjustment knob  |
| (5) | Bowl clamp                |
| (6) | Slide plate               |
| (7) | Tilt brake knob           |
| (8) | Left Side Plate           |

Fig 2



### Fluid Head (Right-Hand Side)

- |      |                     |
|------|---------------------|
| (9)  | Quicklock wedge     |
| (10) | Quick release knob  |
| (11) | Balance knob        |
| (12) | Bubble level        |
| (13) | Bubble level button |
| (14) | Right hand plate    |
| (15) | Battery case        |



## Opening the pan bar

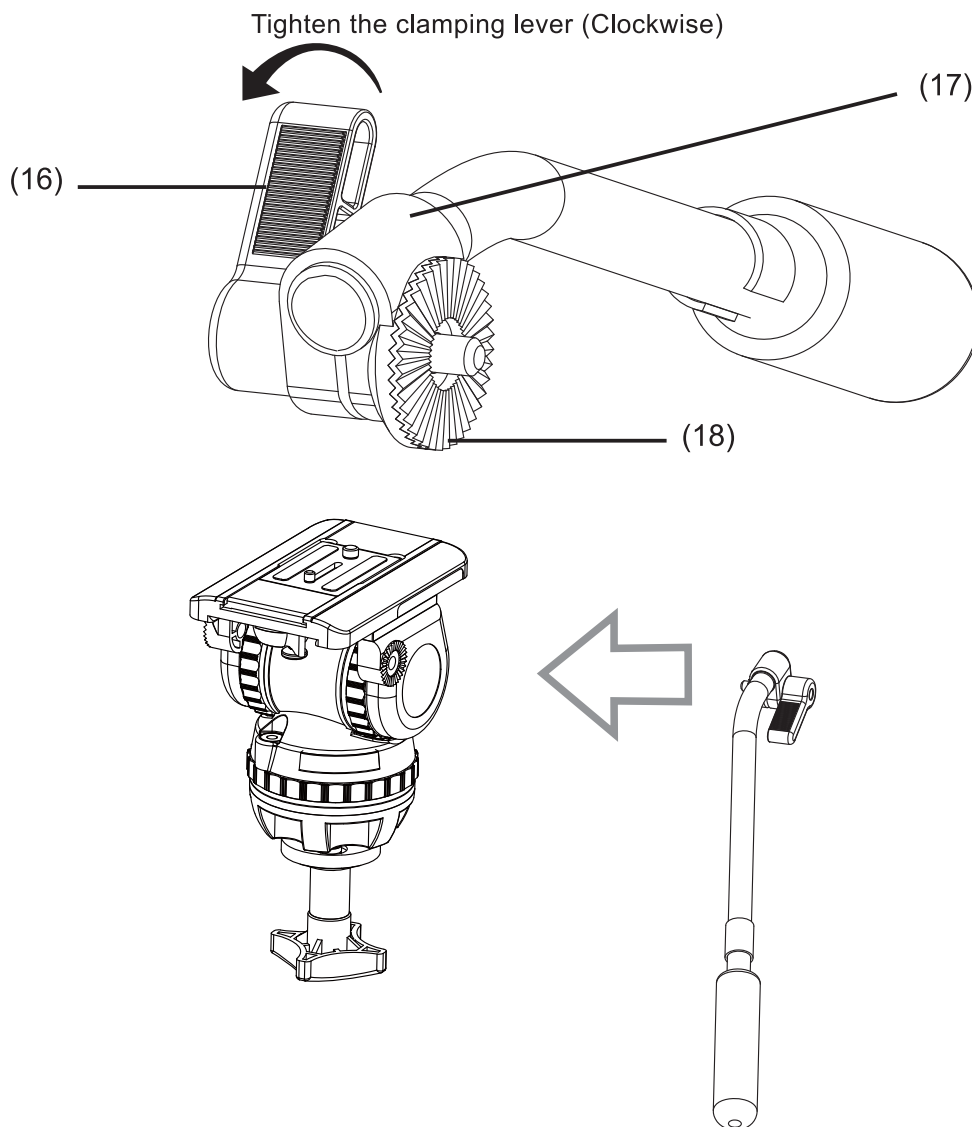
Open the black clamping lever (14) of the pan bar and move the pan bar into the desired position. Apply the clamping lever of the pan bar. During transportation the pan bar can be moved next to the tripod legs.

### **WARNING!**



Open the clamping lever of the pan bar far enough. The teeth of the pan bar clamp should not clatter while moving the pan bar. However, a plastic protector, clamping washer (15) prevents against wear of metal toothed ring. Make sure that the teeth interleave with each other when closing the clamping lever of the pan bar.

Fig 3



(16)

Pan bar clamping knob

(17)

Pan bar clamping sleeve

(18)

Clamping Washer

---

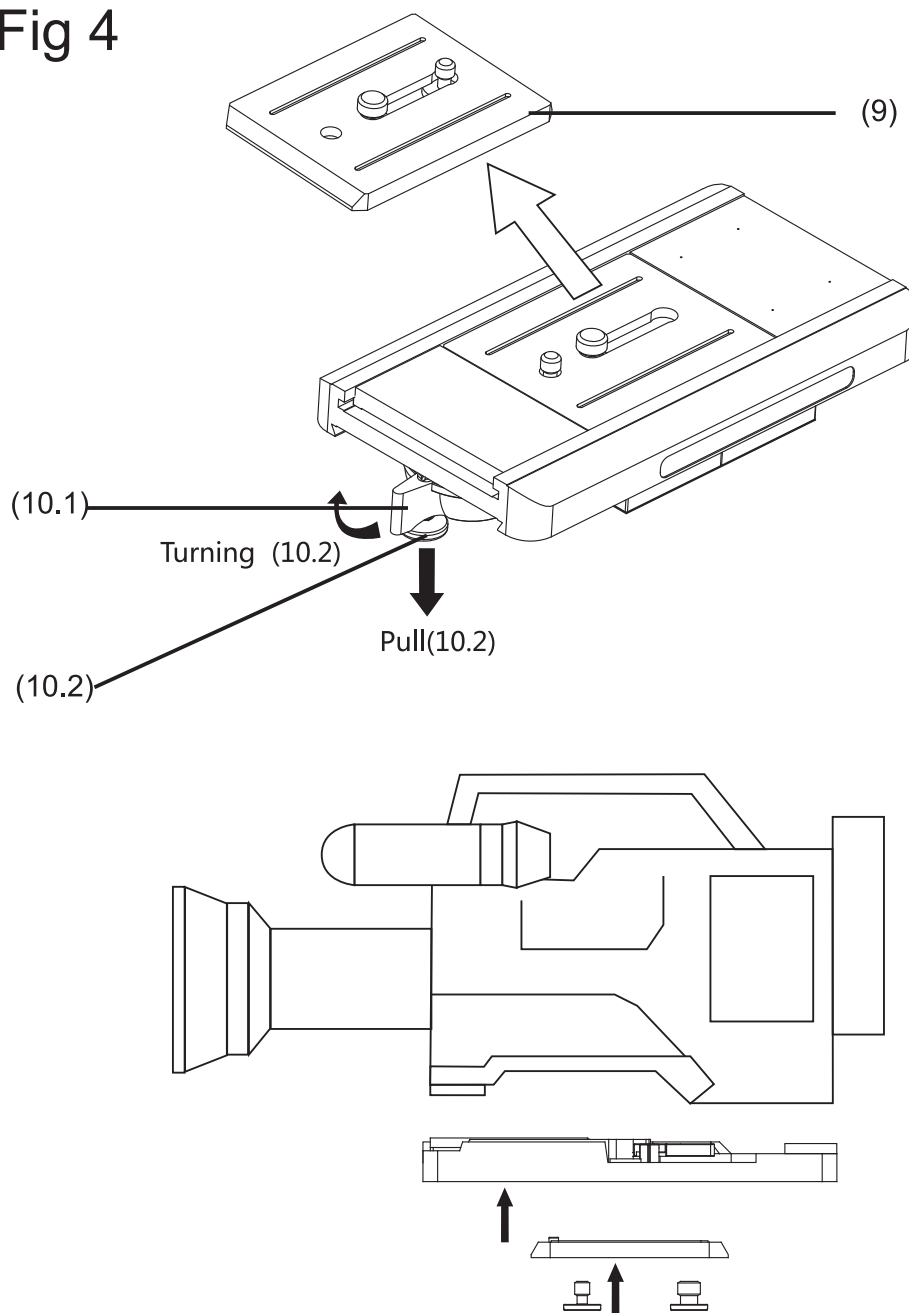
## Mounting the camera

Tighten the tilt brake before mounting the camera

Free the Quicklock wedge (10.2) from slide plate (10.1) by pulling the locking button down (9) and then operating the wedge-releasing lever (9.1) to another end.

Fit the wedge either to the camera or the camera adaptor with two screws provided. If using the camera adaptor, just mount the camera on the camera adaptor after the wedge is attached with the camera adaptor.

Fig 4



---

Insert the wedge into the camera plate until an audible click indicates that the Quicklock wedge is locked in position.

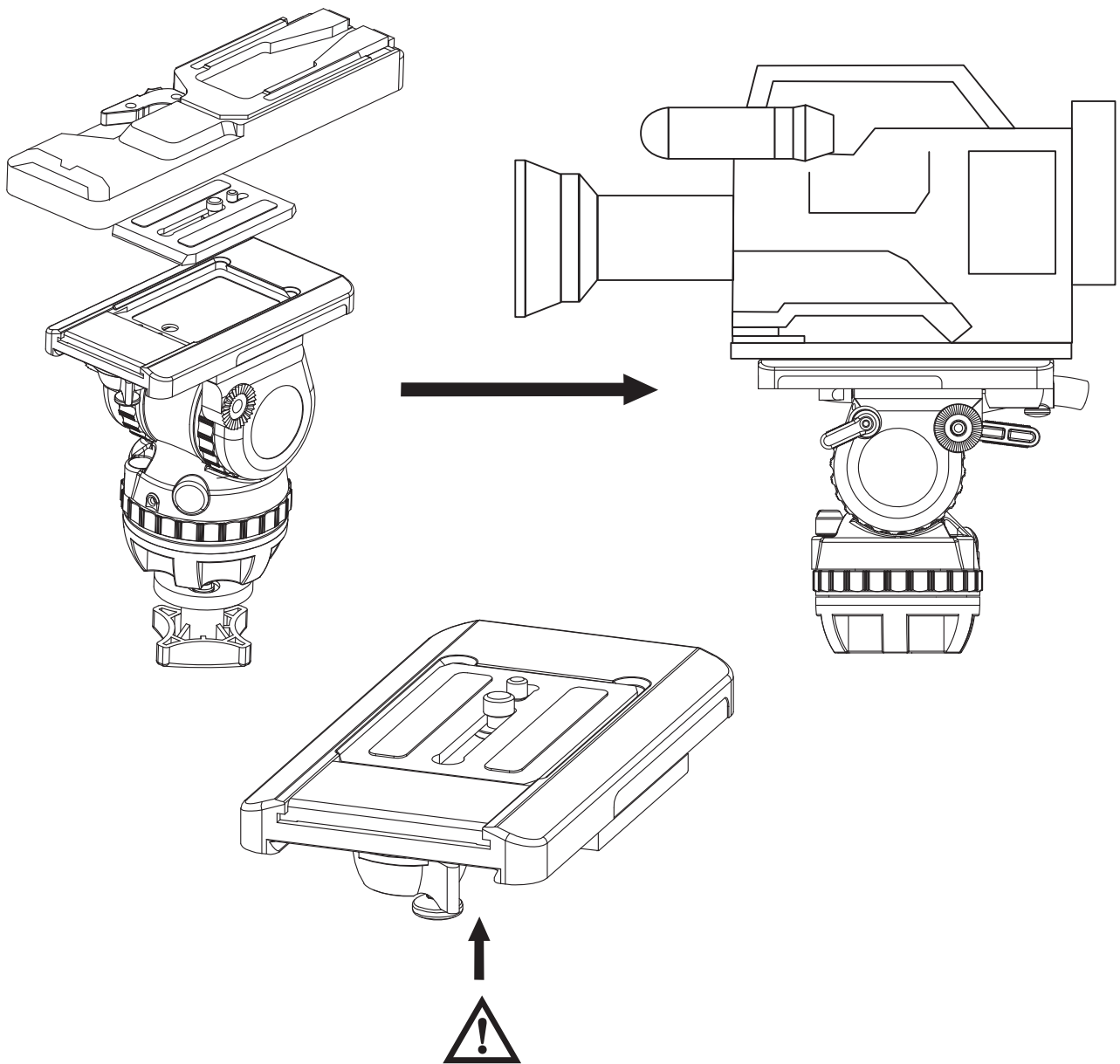
---

**WARNING!** When mounting the camera/placing the wedge, make sure not to hold fingers within the range of the locking lever (10.1) and camera plate receptacle, since the lever may snap back. When the camera is mounted, the bowl clamp must only be released if camera and tripod are secured against falling away.

---



Fig 5



**WARNING! No finger allowed here**

---

## Balancing the head

Balancing the head achieves two objectives. Firstly, when the head is correctly balanced the operator will need a minimum amount of effort to move the head. Secondly, once balanced, the head and its payload can be set to any tilt position and the head will maintain this position with 'hand off'.

Prior to balancing the head ensure that the pan bars and ancillary equipment have been fitted in order to prevent upsetting the balance once it has been achieved.

---

---

**WARNING!** Be prepared to prevent the head falling away suddenly.



- 
- 
- I. Release the tilt brake (7).
  - II. Turn the balance knob to position 0 and keep holding the camera.
  - III. Turn the tilt drag to position 0.
  - IV. Hold the camera in the horizontal position by securing the pan bar. Release the slide plate clamp (1) and slide the camera backwards or forward until it balances horizontally. Tighten the slide plate clamp.
  - V. Turn the balance knob to the number which best compensates for the weight of the camera, i.e. for as little movement upward or downward in any position.
  - VI. Select the tilt drag level by turning the tilt drag knob (2). In the correctly chosen position the camera should not perform any tilt movement.

Fig 6.1

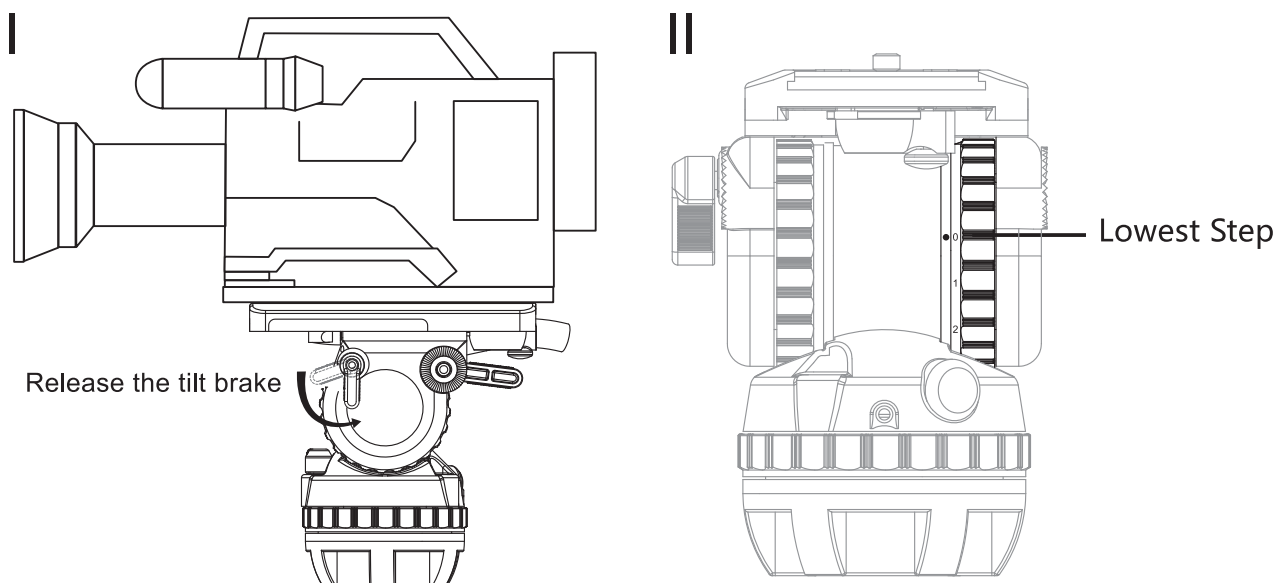
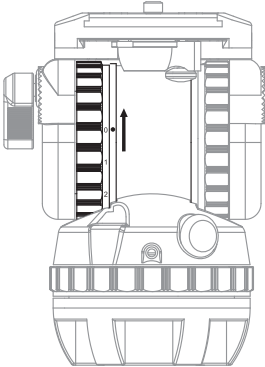
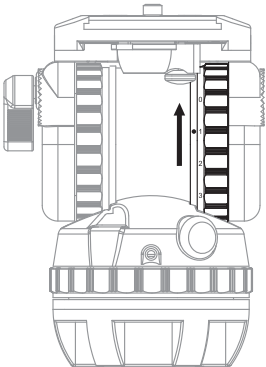


Fig 6.2

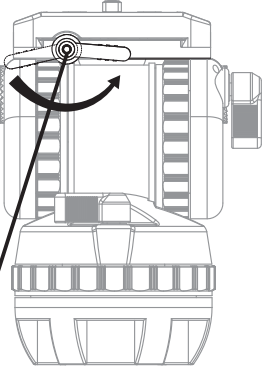
III.



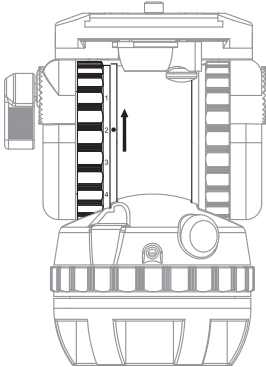
V



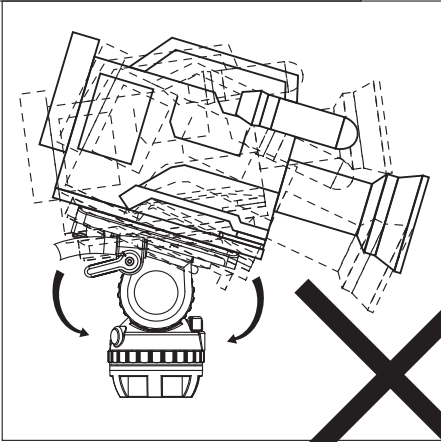
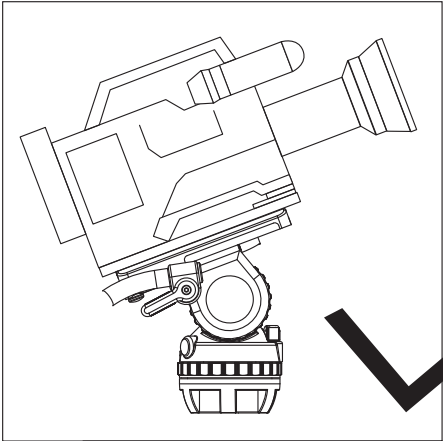
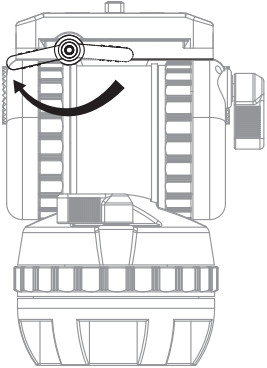
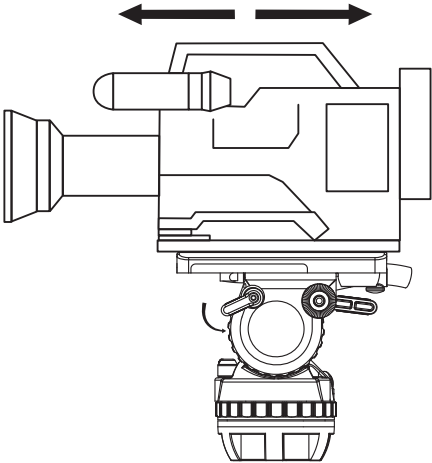
IV



VI



Release slide clamp knob



---

## Pan and tilt brakes

Friction brakes (6,7) on each axis allow the head to be locked at any chosen position. To apply the brake, turn the lever fully clockwise. To release the brake, turn the lever counter-clockwise.

---

### WARNING!

When the brakes are not in use, make sure the brakes is at the released status. DO NOT use the brakes to supplement drag.



---

## Pan and tilt drag

Both drag knobs (2,3) are provided with graduated scales.

By turning the vertical setting and the horizontal setting, selects the desired drag level.

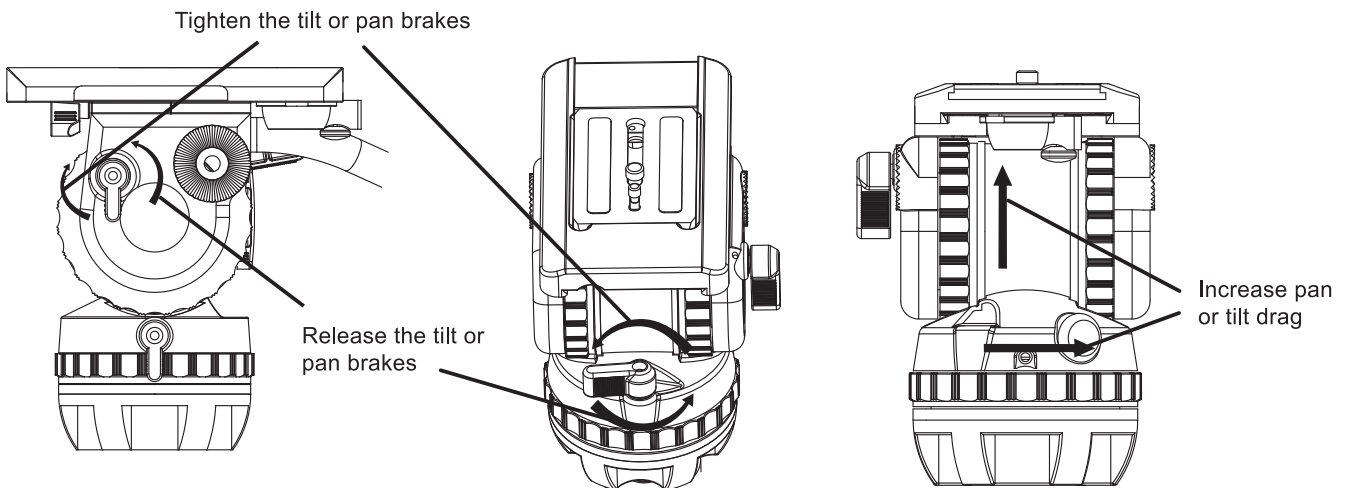
Make sure that you always turn the setting to the next indexed position (arrow). Engage the retainer pins by slowly panning or tilting the camera.

---

**NOTE:** Panning or tilting the camera with settings between the indexed positions can damage the retainer pins and/or disks. Reduce drag to a minimum when the head is out of use for long periods.

---

Fig 7



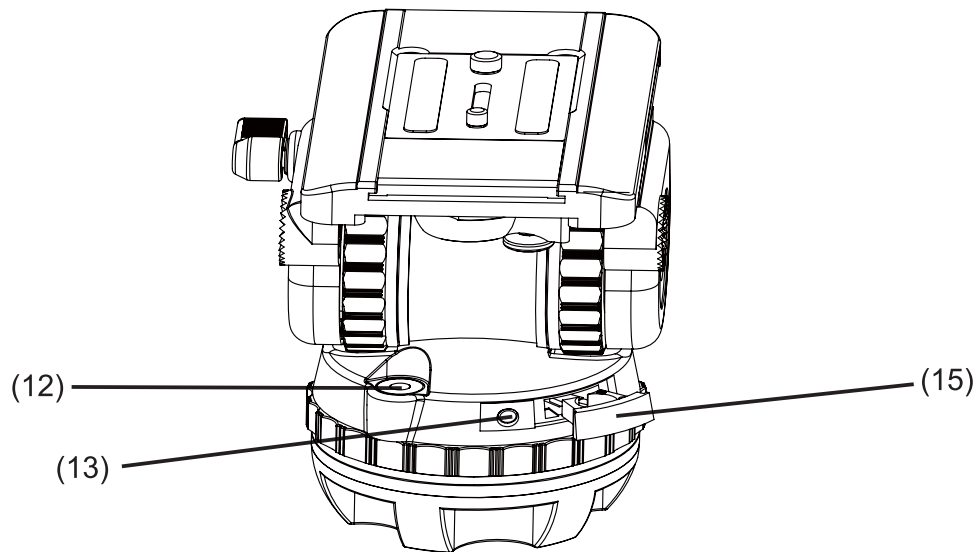
---

## Battery placement

The battery illuminated the level bubble (12) when the switch (13) is pressed. The level bubble remains lit for approximately 11 seconds.

The battery should be replaced yearly or whenever the illumination is considered inadequate. To place the battery, simple pull the battery case (15) and then replace with the new battery.

Fig 8



---

# Servicing

## Routine maintenance

During use, check the following

Check the effectiveness of the slide plate, add some grease lubricant onto the slide plate if slide plate do not move when tilting to  $+45^\circ$  and  $-45^\circ$  (as shown in Figure 9).

Check the effectiveness of the pan and tilt drag controls. Repair as necessary.

Check the effectiveness of the pan and tilt brakes. Repair as necessary.

Check the illumination of the level bubble. Replace battery if necessary.

No further routine maintenance is required.

## Cleaning

During indoor use the only cleaning required should be a regular wipe over with a lint-free cloth. Dirt accumulated during storage may be removed using a semi-stiff brush. Particular attention should be given to the leveling bowl and mounting face of the head.

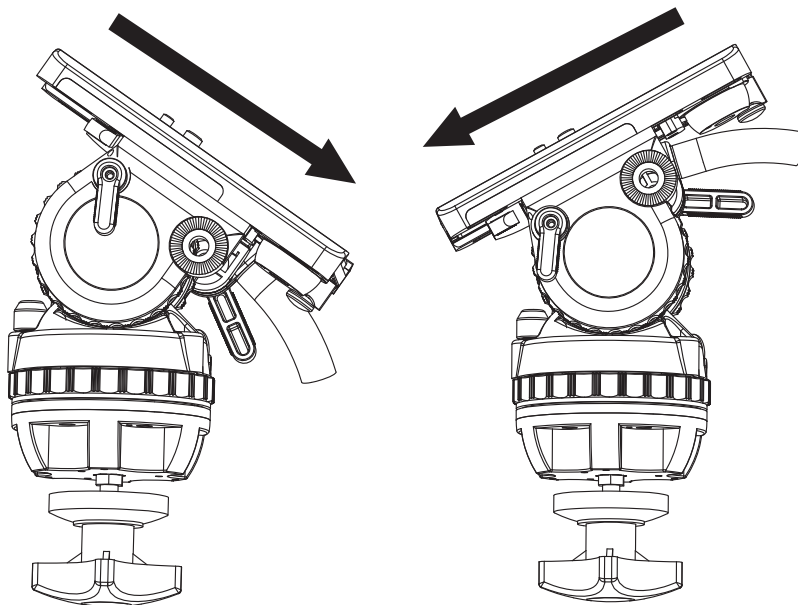
Use out-of-doors under adverse condition will require special attention. Salt spray should be washed off with fresh water at the earliest opportunity. Sand and dirt acts as an abrasive and should be removed using a semi-stiff or vacuum cleaner.

---

**NOTE:** Use only detergent-based cleaners. DO NOT use solvent- or oil-based cleaners, abrasives or wire brushers to remove accumulations of dirt, as these damage the protective surfaces.

---

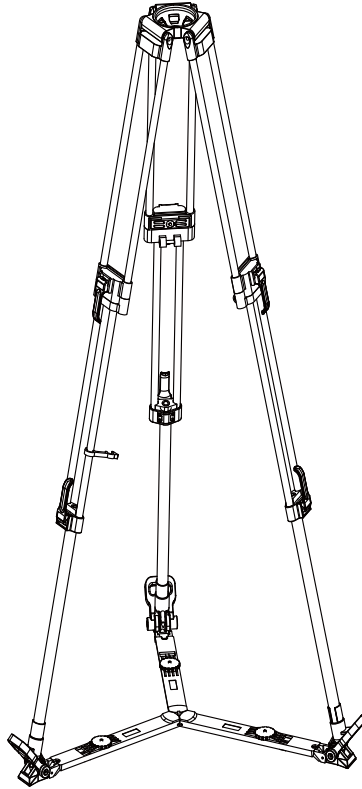
Fig 9





---

# Tripod



There are 17 models of tripods in Reach series, including single- or two-stage, with aluminium, carbon-fibre. They are available in 75mm, 100mm and 150mm bowl mounting. These tripods are compatible with Secced floor spreaders and dollies.

## Content

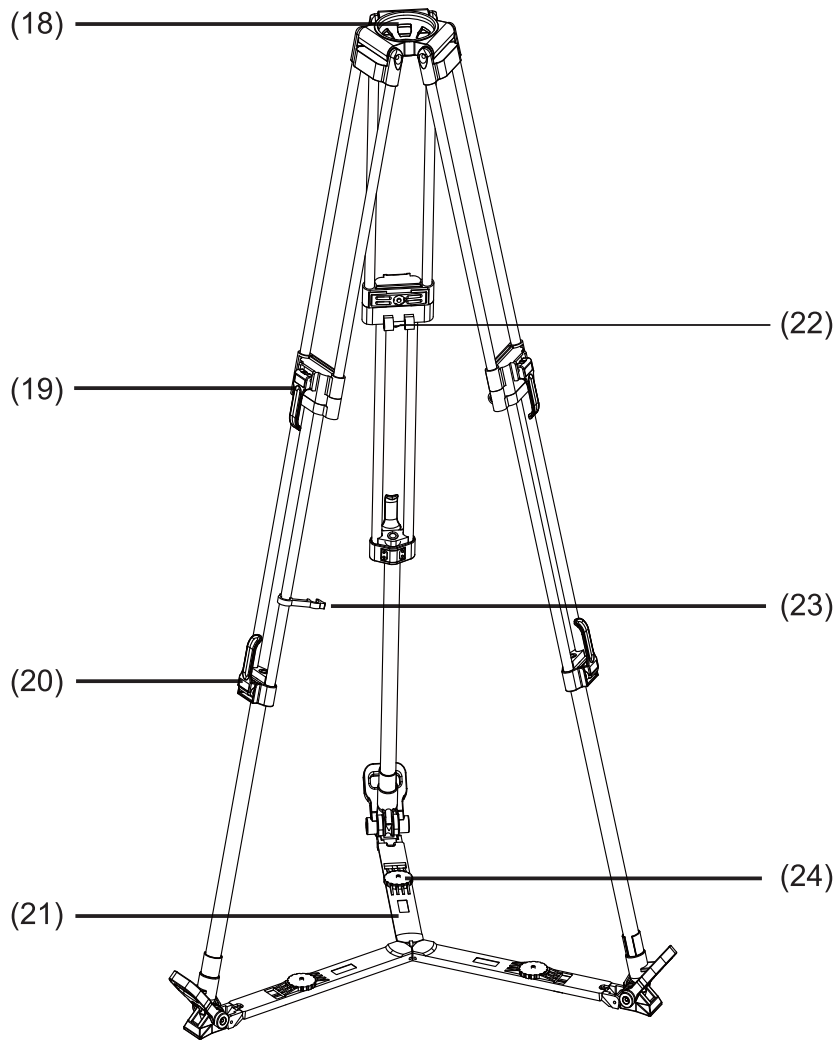
---

Technical Data .....	17
Opening and Adjusting height .....	19
Maintenance .....	20

## Specification

Model	Bowl Diameter	Weight	Payload	Height with Floor spreader	Height with mid spreader	Transportation Length
SC-DV/AL75S Single stage Aluminium	75mm	4.45kg	15kg	65-142cm	71-141cm	85cm
SC-DV/AL75D Double stage Aluminium	75mm	3.7kg	20kg	40-147cm	49-142cm	71cm
SC-ENG/AL100SM Single stage Aluminium	100mm	4.1kg	35kg	14-78cm	27-78cm	55cm
SC-ENG/AL100SH Single stage Aluminium	100mm	5kg	35kg	68-143cm	73-142cm	86cm
SC-ENG/AL100D Double stage Aluminium	100mm	5kg	35kg	48-155cm	55-151cm	75cm
SC-EFP/AL100D Double stage Aluminium	100mm	5.9kg	90kg	57-161cm	59-157cm	78cm
SC-ENG/CF100SM Single stage Carbon-fibre	100mm	3.76kg	45kg	14-78cm	27-78cm	55cm
SC-ENG/CF100SH Single stage Carbon-fibre	100mm	4.44kg	45kg	68-143cm	73-142cm	86cm
SC-ENG/CF100D Double stage Carbon-fibre	100mm	4.35kg	40kg	78-155cm	55-151cm	75mm
SC-EFP/CF100D Double stage Carbon-fibre	100mm	4.9kg	90kg	57-161cm	59-157cm	78mm
SC-EFP/AL150SM Single stage Aluminium	150mm	5.6kg	90kg	33-85cm	38-86cm	62cm
SC-EFP/AL150SH Single stage Aluminium	150mm	7.34kg	90kg	87-166cm	90-167cm	100cm
SC-EFP/AL150D Double stage Aluminium	150mm	6.36kg	90kg	59-160cm	61-159cm	78cm
SC-EFP/CF150S Single stage Carbon-fibre	150mm	6.17kg	95kg	87-166cm	90-167cm	100cm
SC-EFP/CF150D Double stage Carbon-fibre	150mm	5.45kg	95kg	59-160cm	61-159cm	78cm

Fig 10



- 
- |      |  |
|------|--|
| (18) | Tripod bowl                            |
| (19) | Top clamp assembly                     |
| (20) | Bottom clamp assembly                  |
| (21) | Floor spreader                         |
| (22) | Mid-level spreader attachment assembly |
| (23) | Locking clip                           |
| (24) | Clamping knob                          |

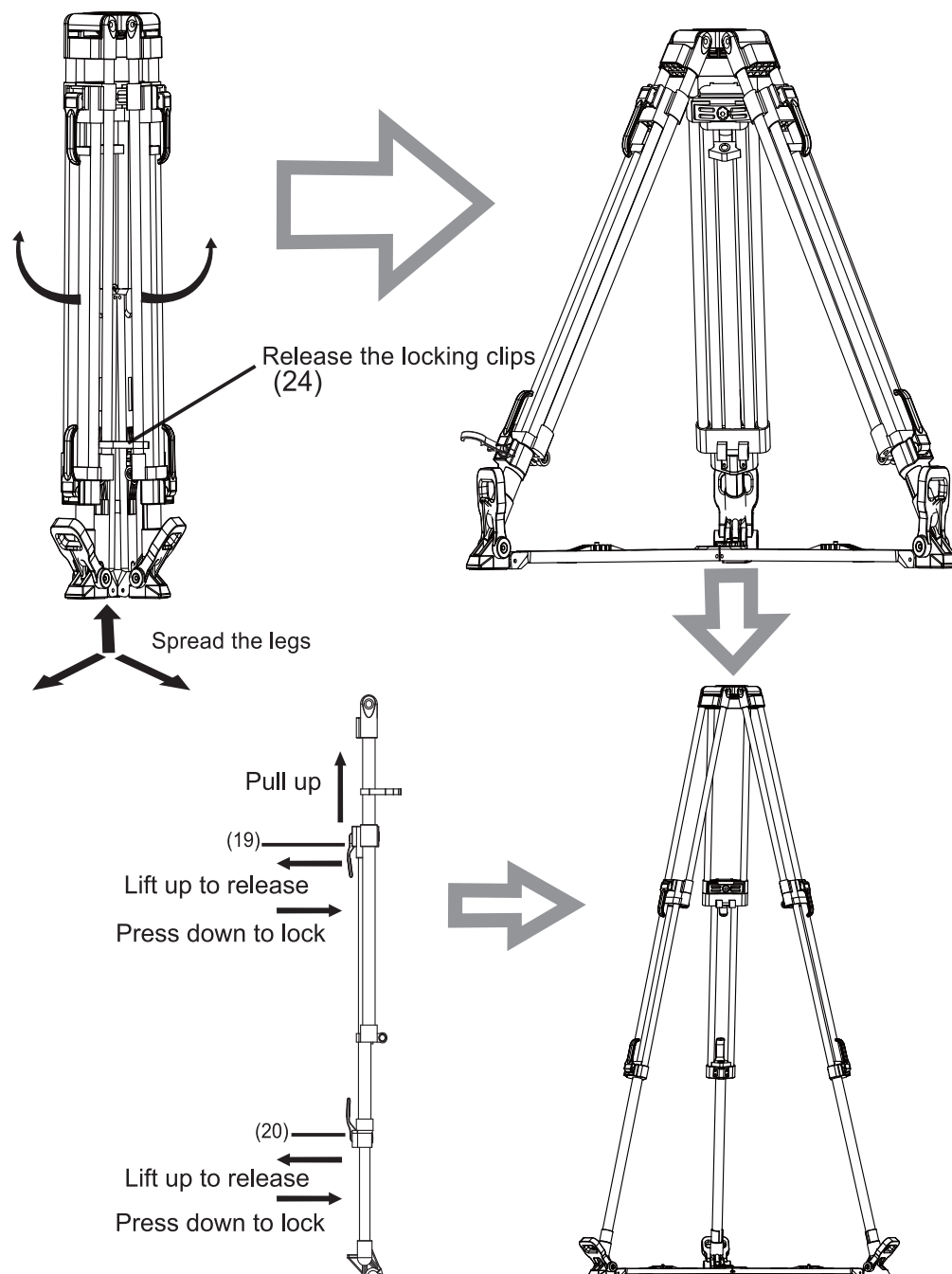
# Opening and Adjusting Height

Lift the complete tripod and head out of the case and keep the floor spreader (23) attached to the tripod.

Release the three locking clips (24), open out the legs while holding the legs. Gentle foot or hand pressure on the spreader will ensure that the legs are fully spread.

**NOTE:** Always use the spreader where possible as this increases rigidity of the tripod. Being flexible, the spreader compensates for uneven ground. It can be removed and a dolly fitted. At the fullest extension of the spreader and with all legs fully retracted, the tripod can be used at its lowest operating height. Although the tripod can be set up lower than this without the spreader, it is NOT recommended as the tripod geometry becomes unstable.

Fig 11

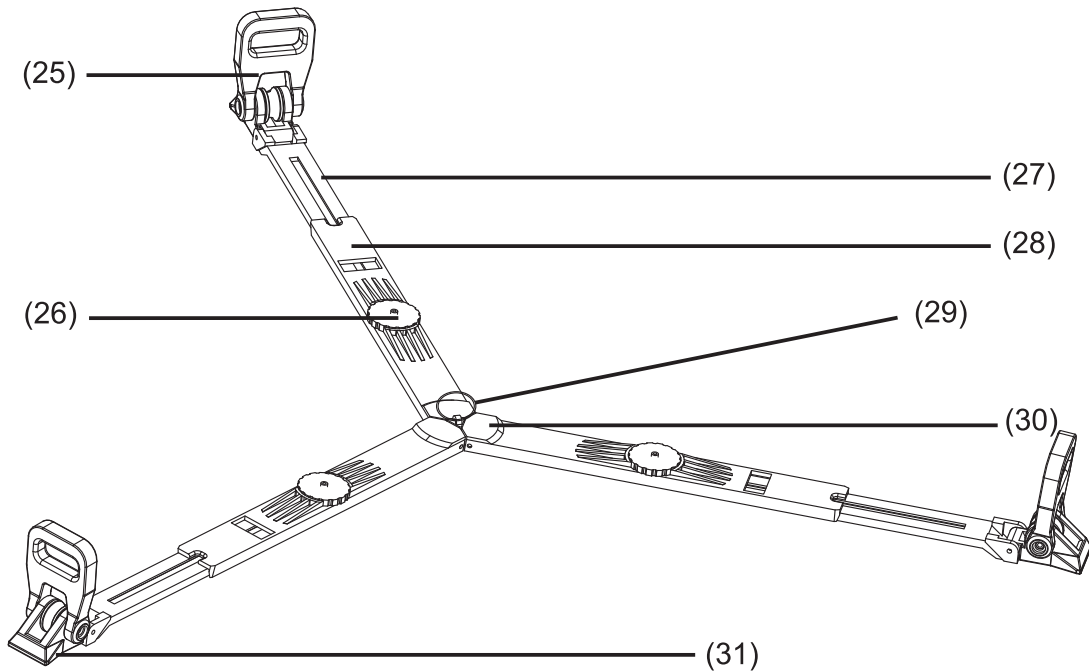


---

# Floor Spreader

SC-FS100 floor spreader is compatible with all Secced Tripods.

Fig 12



---

**NOTE:** Always use the spreader where possible as this increases rigidity of the tripod. At the full extension of the spreader and with all legs fully retracted, the tripod can be used at its lowest operating height. Although tripods can be set lower than this without spreader, it is NOT recommended as the tripod geometry become unstable.

---

## Parts List

---

(27)	Foot retaining strap
(28)	Clamping knob
(29)	Inner leg
(30)	Outer leg
(31)	Lift ring
(32)	Core connecting assembly
(33)	Foot support

---

## Installing the floor spreader

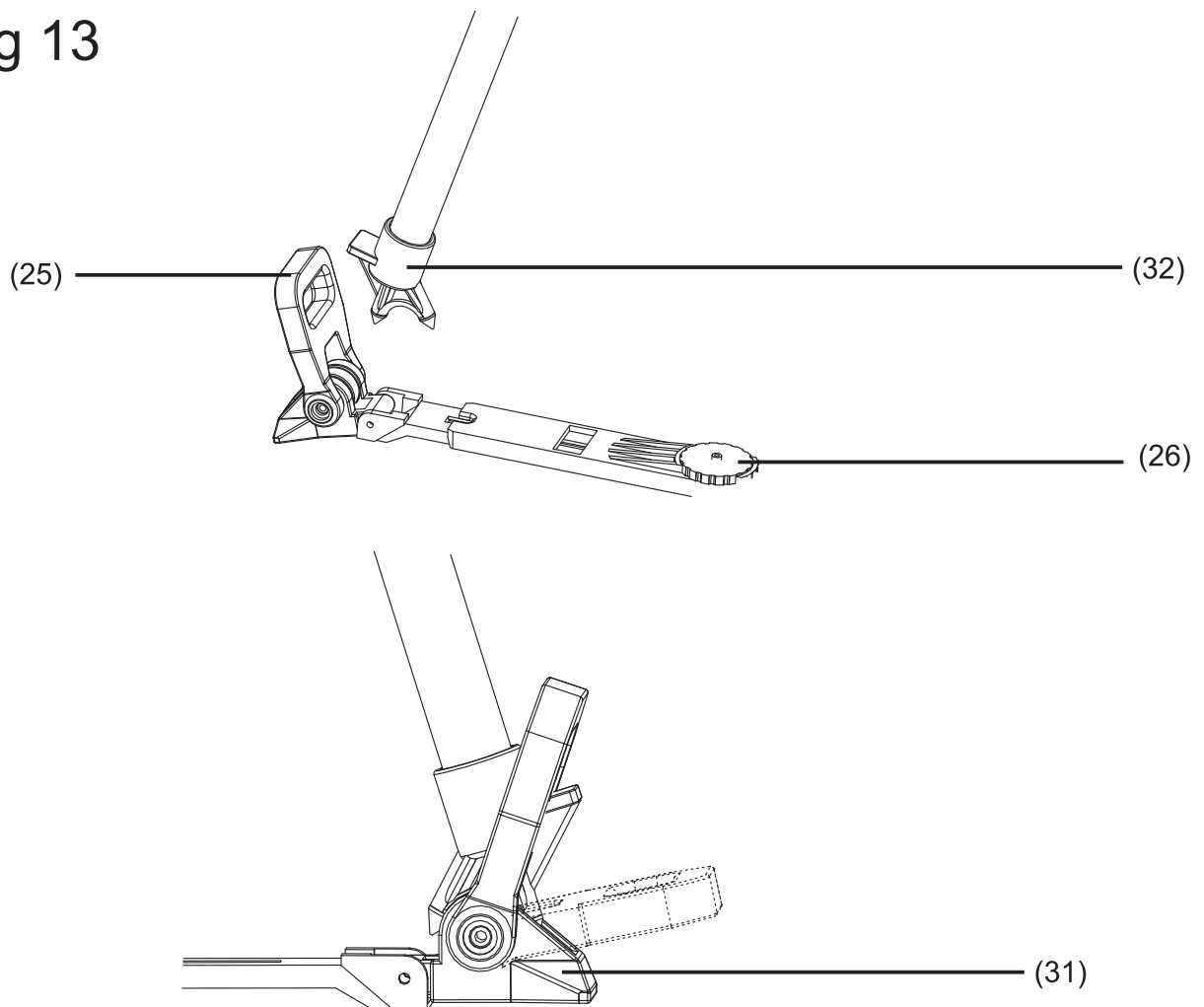
To install a floor spreader onto a tripod proceed as follows:

Unfold legs of spreader and place flat on the ground. Ensure three clamping knobs (26) are engaged.

Lower tripod onto the spreader and locate the feet (32) onto the three foot supports (31).

Secure tripod onto spreader by engaging three foot retaining straps (25) to each foot of the spreader.

Fig 13



---

## Adjusting the spreader

---

NOTE: Floor spreaders protect floors and carpets as well as protecting the tripod legs sinking into soft ground and should be used at all time. If the floor spreader cannot be used, use secovo rubber feet and middle-level spreader.

---

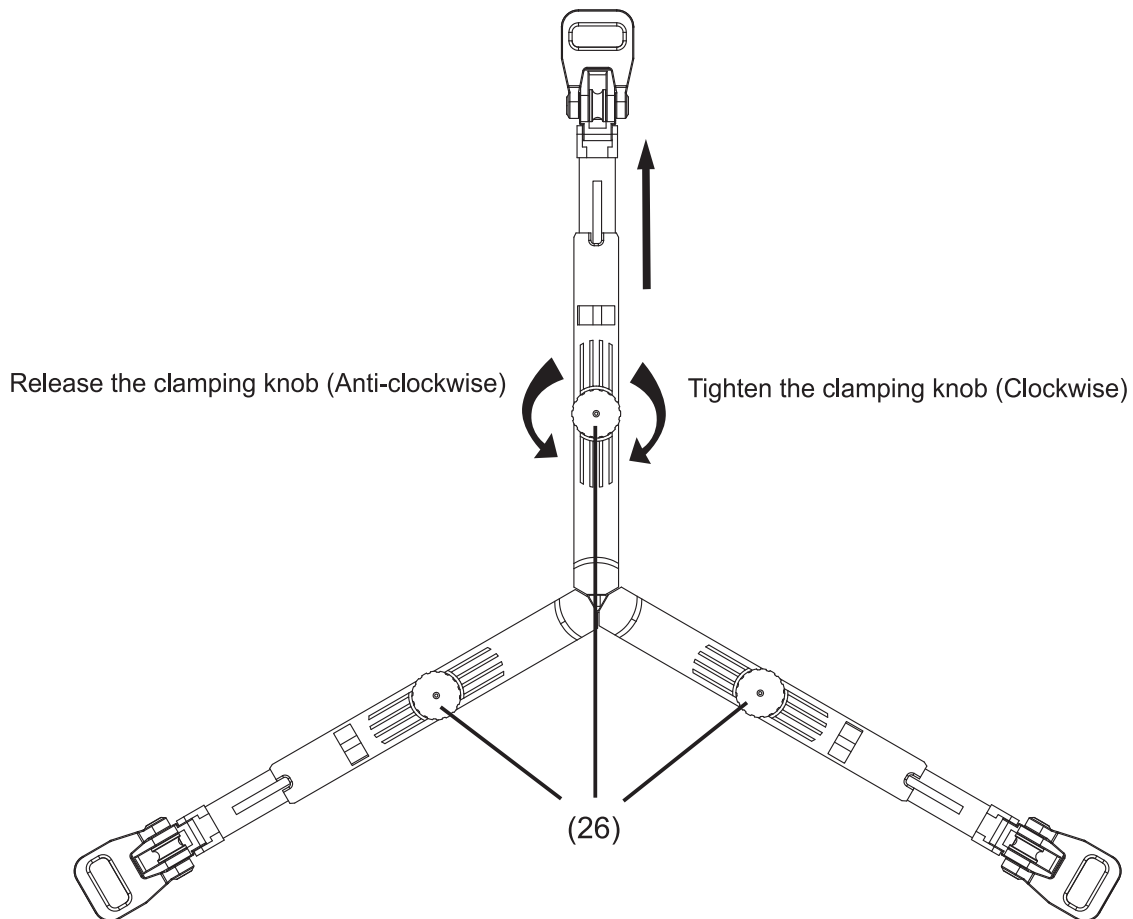
Once the tripod is installed, the floor spreader can be adjusted as follows:

Slacken three clamping knobs (26) on spreader.

Set legs of tripod to required position and height and ensure they are locked.

Once the tripod is positioned correctly, apply three clamping knobs. The spreader does not have to be removed when collapsing the tripod.

Fig 14



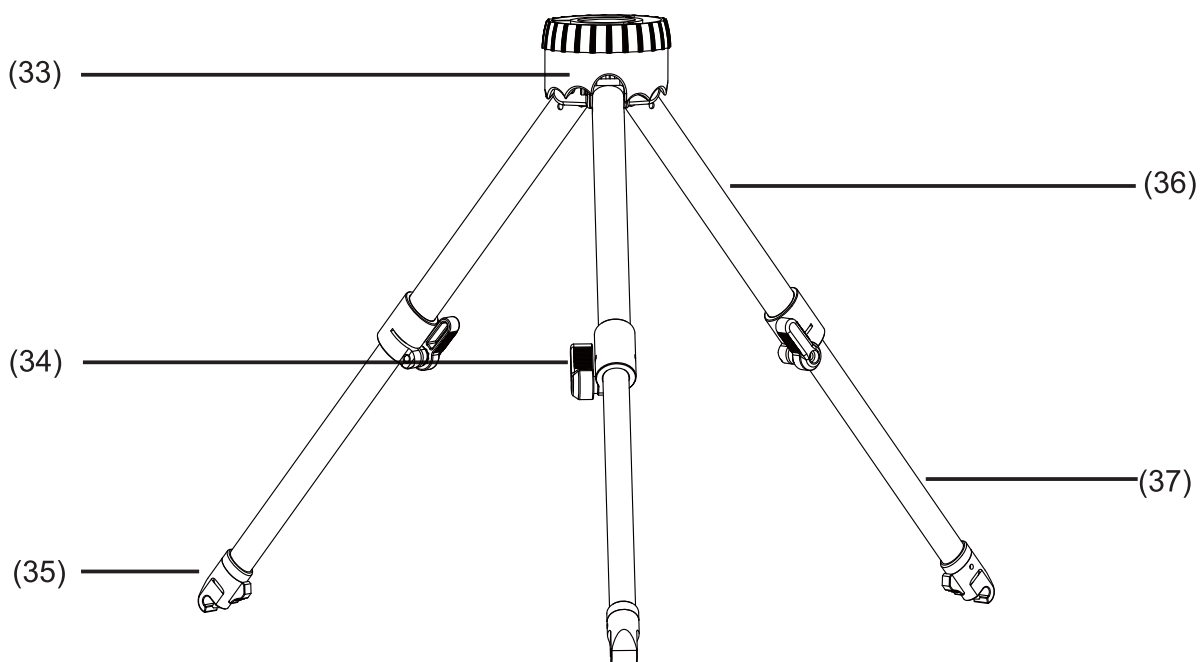
---

# Mid Level Spreader

There are two types of mid level spreader available, DV mid level spreader and ENG mid level spreader, they are compatible with Secced DV tripod and ENG tripod respectively.

Only one type of rubber feet are available, compatible all type of tripods from Secced.

Fig 15



---

(33)	Spread-locking knob
(34)	Extension release button
(35)	Attachment head
(36)	Outer arm
(37)	Inner arm



---

## Installing the mid-level spreader and rubber feet

### To install the spreader

Grip the ends of each arm in turn and attach the head of mid level spreader (35) to shaft (22) on the tripods, make sure the head of mid level spreader complete engaged.

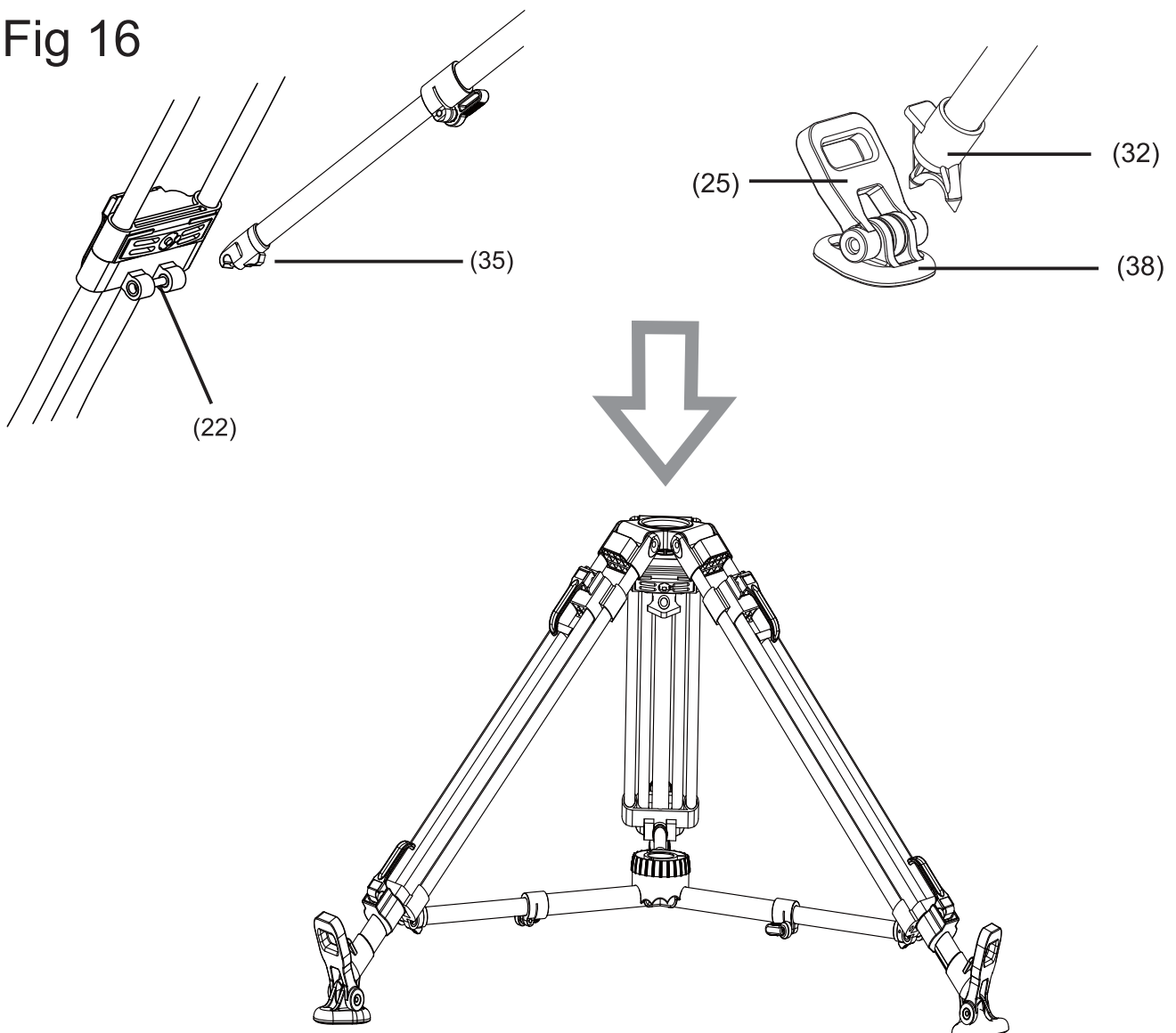
The rubber foot has to be used when adopting the mid-level spreader, just locate the feet (32) onto the three rubber feet (38) and engage the three foot retaining straps (25) to each foot of tripod.

---

**NOTE:** Ensure the extension release knob of mid level spreader is tightened.  
All rubber feet are correctly attached with tripod.

---

Fig 16



---

## Adjusting the spreader

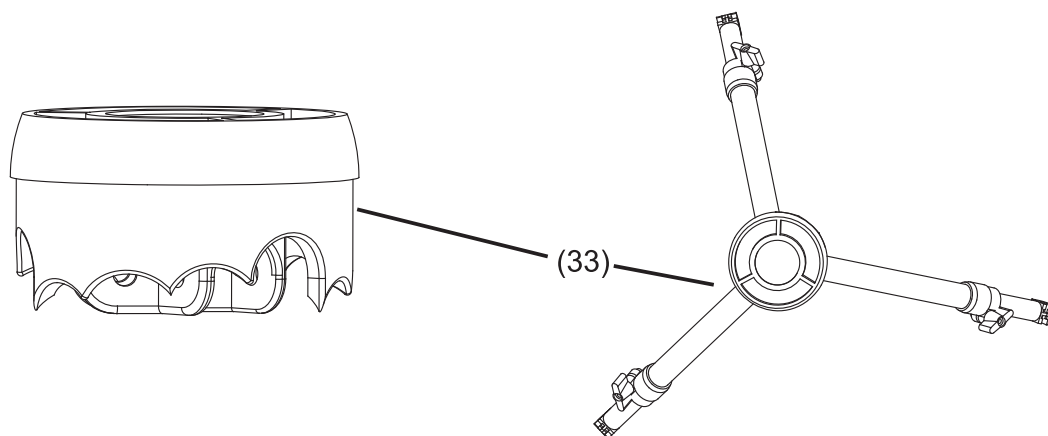
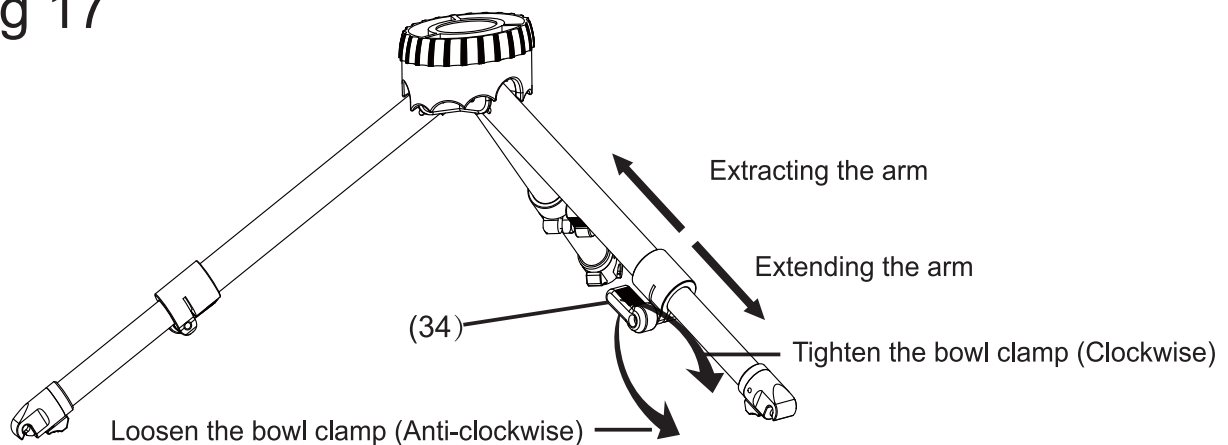
There are two controls on the spreader  
Spread-locking knob (33) and extension release knob (34)

Spread-locking knob locks the mid-level spreader in position. With the particular length of arm, by turning the spread-locking knob, the height of the spreader can be adjusted

The spreading scope of tripod can be adjusted by turning the spread-locking knob.

Extension release knobs are fitted on each arm of the mid-level spreader. When slackened, the arm can be extended or extracted. This facility is particularly useful when the tripod is in use on uneven ground.

Fig 17



---

# Servicing

## Cleaning

During indoor use the only cleaning required should be a regular wipe over with a lint-free cloth. Dirt accumulated during storage may be removed using a semi-stiff brush. Particular attention should be given to the mounting bowl of tripod.

Use out-of-doors under adverse condition will require special attention. Salt spray should be washed off with fresh water at the earliest opportunity. Sand and dirt acts as an abrasive and should be removed using a semi-stiff or vacuum cleaner.

---

**NOTE:** Use only detergent-based cleaners. DO NOT use solvent- or oil-based cleaners, abrasives or wire brushes to remove accumulations of dirt, as these damage the protective surfaces.

---

## Routine maintenance

During normal use, check the effectiveness of the leg clamps and adjust as necessary.

---

## Reach Tripod Kit Configuration

Kit	Fluid Head	Tripod	Pan Bar	Floor Spreader
Reach 1	SC-DV2/75AH	SC-DV/AL75D	SC-PB10	SC-FS100
Reach 2	SC-DV4/75AH	SC-DV/AL75D	SC-PB10	SC-FS100
Reach 3	SC-DV6/75AH	SC-DV/AL75D	SC-PB10	SC-FS100
Reach 4	SC-DV8/75AH	SC-DV/AL75D	SC-PB10	SC-FS100
Reach 5	SC-DV10/75AH	SC-DV/AL75D	SC-PB15	SC-FS100
Reach 6	SC-V8/100AH	SC-ENG/AL100D	SC-PB15	SC-FS100
Reach 7	SC-V12/100AH	SC-ENG/CF100D	SC-PB15	SC-FS100
Reach 8	SC-V15/100AH	SC-ENG/CF100D	SC-PB15	SC-FS100
Reach 9	SC-V18/100AH	SC-EFP/CF100D	SC-PB20	SC-FS100
Reach 10	SC-V20/100AH	SC-EFP/CF100D	SC-PB20	SC-FS100
Reach 11	SC-V25/100AH	SC-EFP/CF150D	SC-PB20	SC-FS100

---

# Reach Tripod Kit

In Reach tripod kit, fluid head, tripod and floor spreader are connected. When you receive products, it is in transportation status (Fig 18), please operate as follows:

Release three clip ring (23), spreader out the tripod, and press lightly on floor spreader to make sure every leg are spreaded completely. Then installing the pan bar.

According to requirement of operators, adjusting the height of tripod.  
Mounting and balancing the camera based on previous guide.

---

**NOTE:** Make sure the extension release knob of mid level spreader are tightened when using.  
Make sure clamping levers of tripods are tightened when using.  
Make sure clamping knob of head are tightened when using.  
Make sure quick release knob of wedge plate are tightened when using.  
Make sure clamping knob of slide plate are tightened when using.

---

Fig 18.1

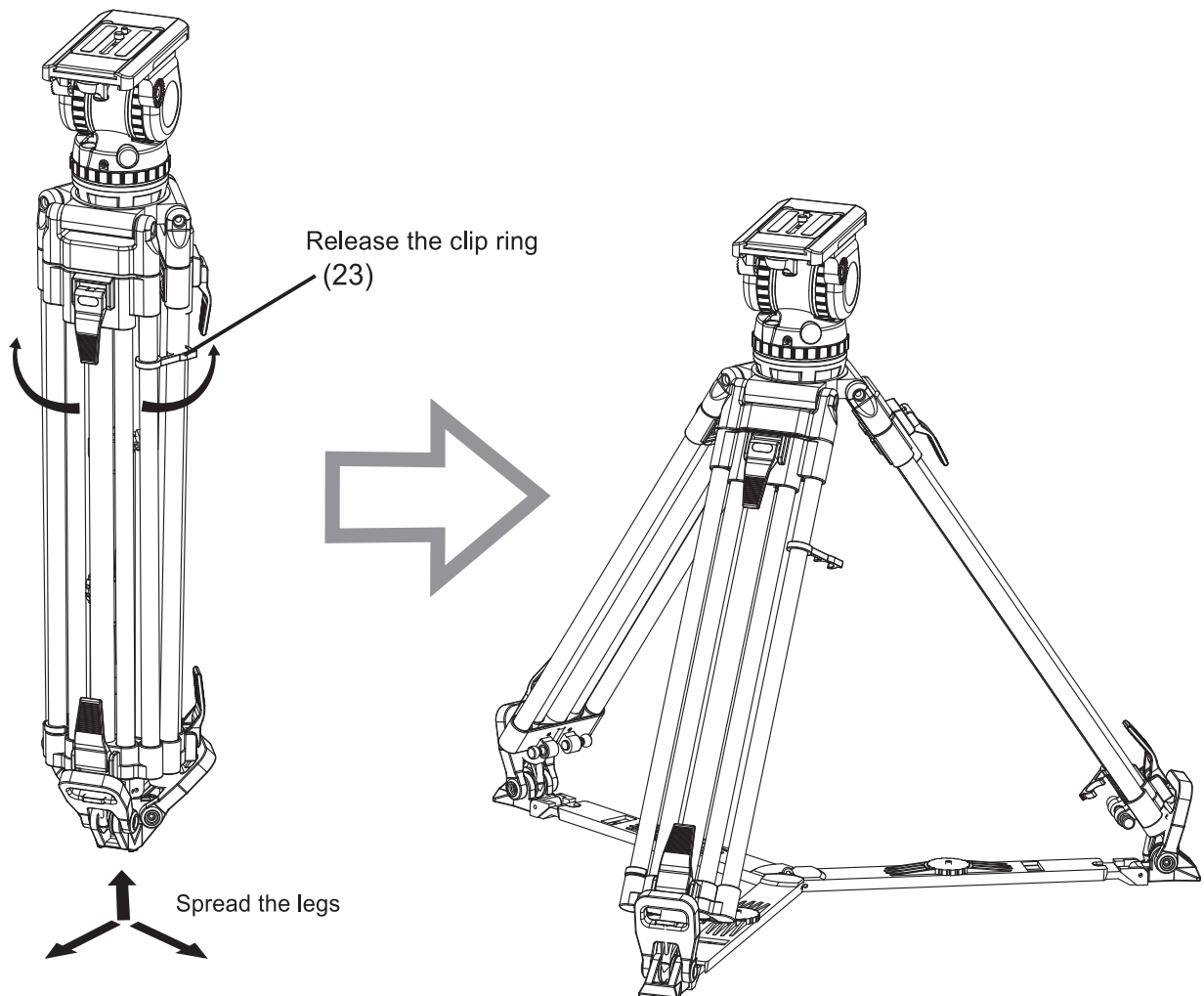
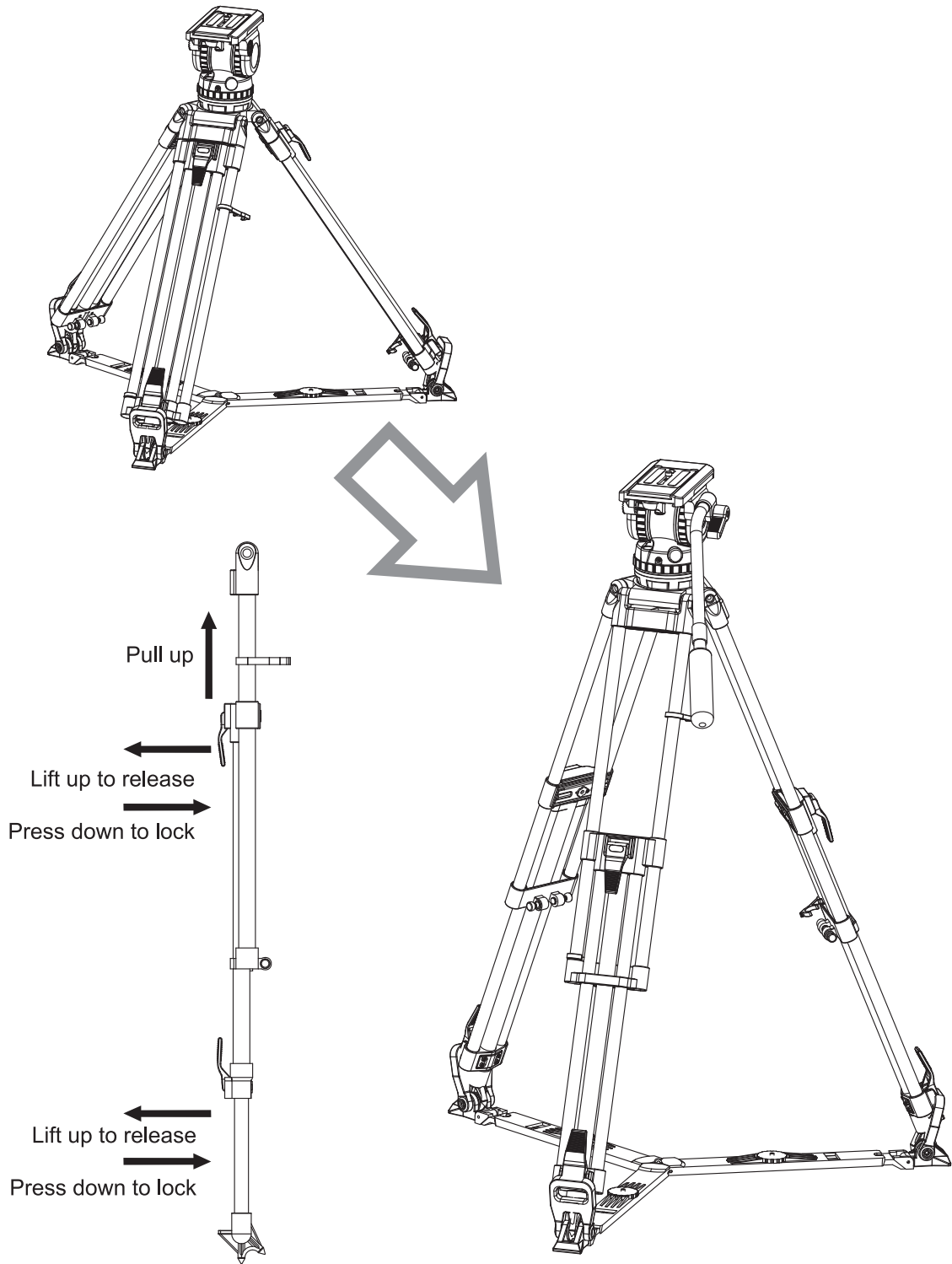


Fig 18.2

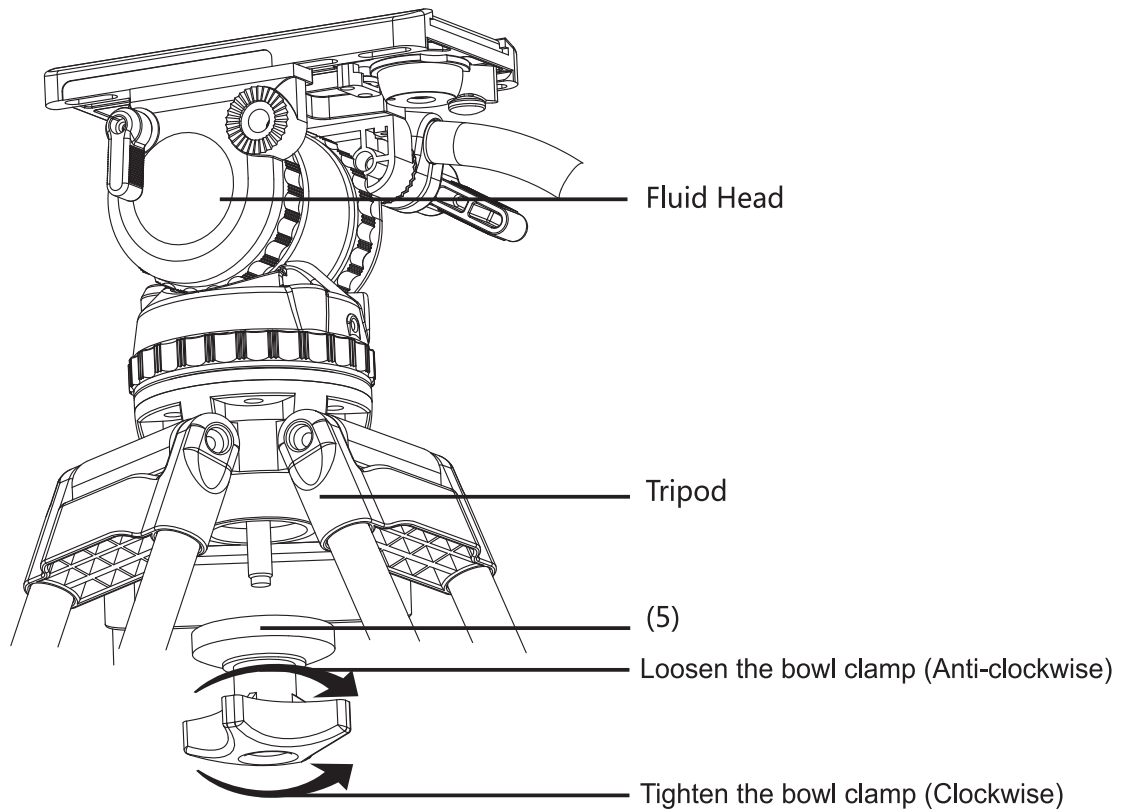


---

## Installing the head on a tripod

To install the head, remove the bowl clamp (5) from the head (turn bowl clamp anti-clockwise as in Figure 19), position the head on the tripod and refit the bowl clamp from below. Level the head with aid of level bubble and apply the bowl clamp (turn bowl clamp clockwise as in Figure 19). The level bubble may be illuminated by pressing the switch. The light will extinguish after approximately 11 seconds.

Fig 19



---

# Servicing

## Cleaning

During indoor use the only cleaning required should be a regular wipe over with a lint-free cloth. Dirt accumulated during storage may be removed using a semi-stiff brush. Particular attention should be given to the mounting bowl of tripod.

Use out-of-doors under adverse condition will require special attention. Salt spray should be washed off with fresh water at the earliest opportunity. Sand and dirt acts as an abrasive and should be removed using a semi-stiff or vacuum cleaner.

---

**NOTE:** Use only detergent-based cleaners. DO NOT use solvent- or oil-based cleaners, abrasives or wire brushers to remove accumulations of dirt, as these damage the protective surfaces.

---

## Routine maintenance

During normal use, check the effectiveness of the leg clamps and adjust as necessary.



---

# Packing List

The following lists include main assemblies, user-replaceable spare parts and optional accessories. For further information regarding repair or spare parts, please contact Secced. Co., Ltd or your local distributor.

For information on-line, visit our website at

**[www.secced.com](http://www.secced.com)**

## **Main assemblies**

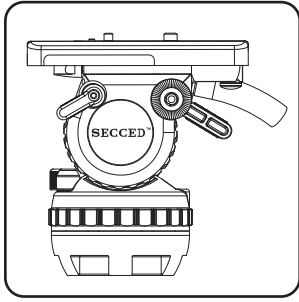
Fluid head  
Tripod  
Pan bar  
Floor spreader

## **User-replaceable spare parts**

Wedge plate  
Tilt/Pan brake knob  
Up clamping lever

## **Optional accessories**

Mild level spreader  
Rubber feet  
Camera adaptor  
Dolly



[www.seced.com](http://www.seced.com)

# SECED™

## Operator Guide

---

Professional Fluid Head & Tripod

### Reach Tripod Kit

