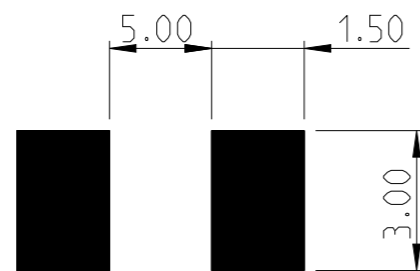
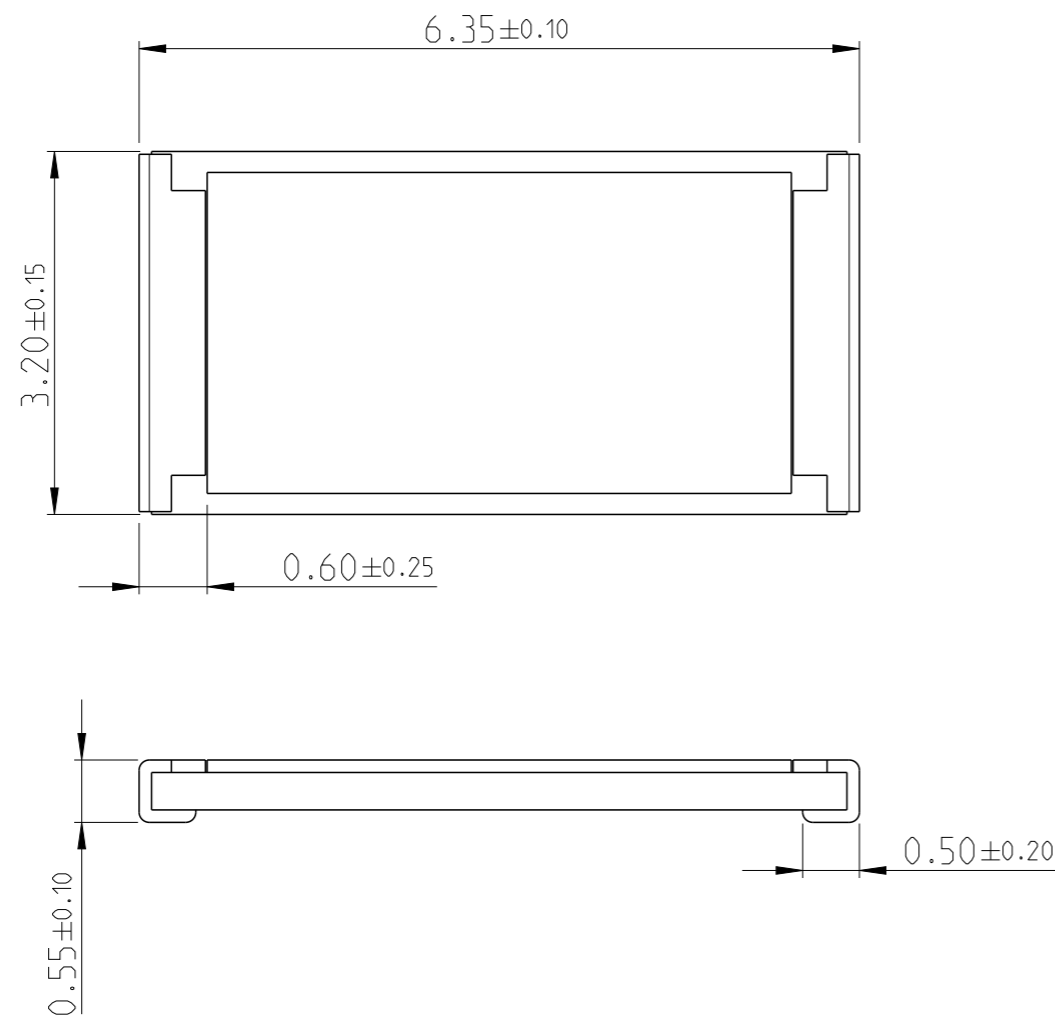


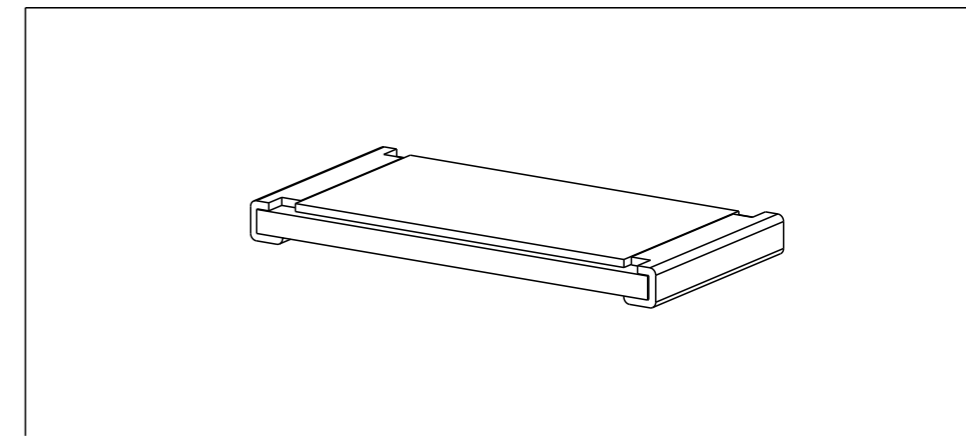
REVISIONS

P	LTR	DESCRIPTION	DATE	DWN	APVD
	BC	ECR-16-000748	18JAN2016	KR	TN
	BC1	ECR-22-127236	21JAN2022	KS	TG

FOR FURTHER INFORMATION SEE PRODUCT SPECIFICATION FOR CRGH SERIES



RoHS Compliant




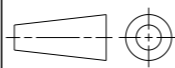
THIS DRAWING IS A CONTROLLED DOCUMENT.		DWN 15MAR2012 DARSHAN MS		
DIMENSIONS: mm		CHK 15MAR2012 ALLAN P		
TOLERANCES UNLESS OTHERWISE SPECIFIED:		APVD 15MAR2012 STEPHEN.P	NAME SMD POWER RESISTORS - TYPE 3521 SERIES	
		PRODUCT SPEC	-	
MATERIAL		APPLICATION SPEC	-	
FINISH		WEIGHT 0.03806 Gram	SIZE A3	CAGE CODE 00779
		CUSTOMER DRAWING	DRAWING NO. C-2176071	RESTRICTED TO
		SCALE 40:1	SHEET 1 OF 1	REV BC1

REVISIONS

P	LTR	DESCRIPTION	DATE	DWN	APVD
-		SEE SHEET 1	-	-	-

TCPN	PART DESCRIPTION	ALIAS
2176071-1	3521 130K 1% 2W	3521130KFT
2176071-2	3521 150K 1% 2W	3521150KFT
2176071-3	3521 160K 1% 2W	3521160KFT
2176071-4	3521 180K 1% 2W	3521180KFT
2176071-5	3521 200K 1% 2W	3521200KFT
2176071-6	3521 220K 1% 2W	3521220KFT
2176071-7	3521 240K 1% 2W	3521240KFT
2176071-8	3521 270K 1% 2W	3521270KFT
2176071-9	3521 300K 1% 2W	3521300KFT
1-2176071-0	3521 330K 1% 2W	3521330KFT
1-2176071-1	3521 360K 1% 2W	3521360KFT
1-2176071-2	3521 390K 1% 2W	3521390KFT
1-2176071-3	3521 430K 1% 2W	3521430KFT
1-2176071-4	3521 470K 1% 2W	3521470KFT
1-2176071-5	3521 510K 1% 2W	3521510KFT
1-2176071-6	3521 560K 1% 2W	3521560KFT
1-2176071-7	3521 620K 1% 2W	3521620KFT
1-2176071-8	3521 680K 1% 2W	3521680KFT

TCPN	PART DESCRIPTION	ALIAS
1-2176071-9	3521 750K 1% 2W	3521750KFT
2-2176071-0	3521 820K 1% 2W	3521820KFT
2-2176071-1	3521 910K 1% 2W	3521910KFT
2-2176071-2	3521 1M0 1% 2W	35211M0FT
2-2176071-3	3521 5R1 1% 2W	35215R1FT
2-2176071-4	3521 1R0 1% 2W	35211R0FT
2-2176071-5	3521 1R5 1% 2W	35211R5FT
2-2176071-6	3521 2R2 1% 2W	35212R2FT
2-2176071-7	3521 3R3 1% 2W	35213R3FT
2-2176071-8	3521 4R7 1% 2W	35214R7FT
2-2176071-9	3521 6R8 1% 2W	35216R8FT
3-2176071-0	3521 1M5 1% 2W	35211M5FT
3-2176071-1	3521 2M2 1% 2W	35212M2FT
3-2176071-2	3521 3M3 1% 2W	35213M3FT
3-2176071-3	3521 4M7 1% 2W	35214M7FT
3-2176071-4	3521 6M8 1% 2W	35216M8FT
3-2176071-5	3521 10M 1% 2W	352110MFT
3-2176071-6	3521 59R 1% 2W	352159RFT

THIS DRAWING IS A CONTROLLED DOCUMENT.		DWN DARSHAN MS 15MAR2012	 TE Connectivity	
DIMENSIONS: mm		CHK ALLAN P 15MAR2012		
		APVD STEPHEN.P 15MAR2012	NAME SMD POWER RESISTORS - TYPE 3521 SERIES	
TOLERANCES UNLESS OTHERWISE SPECIFIED:		PRODUCT SPEC	-	
0 PLC ±-		APPLICATION SPEC	-	
1 PLC ±0.5		WEIGHT	0.03806 Gram	
2 PLC ±0.13		CUSTOMER DRAWING	SCALE 40:1	
3 PLC ±0.013		SIZE	A3	
4 PLC ±0.0001		CAGE CODE	00779	
ANGLES ±		DRAWING NO	C=2176071	
FINISH		RESTRICTED TO	-	
MATERIAL		SHEET	1 OF 1	
-		REV	BC1	
-				

Mouser Electronics

Authorized Distributor

Click to View Pricing, Inventory, Delivery & Lifecycle Information:

[TE Connectivity:](#)

[3521220KFT](#)