

4

3

2

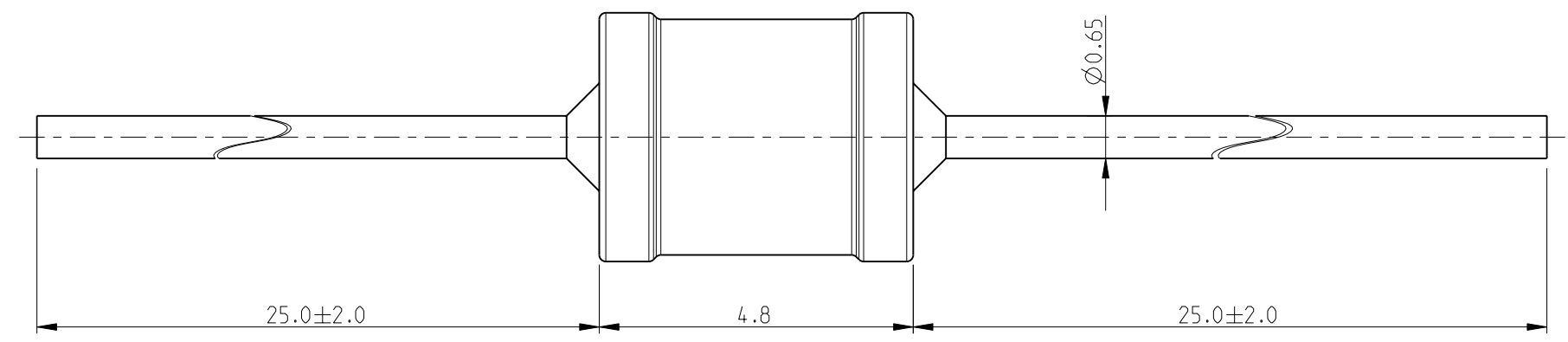
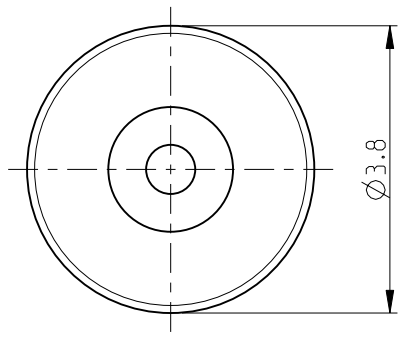
1

THIS DRAWING IS UNPUBLISHED. RELEASED FOR PUBLICATION 2008
 © COPYRIGHT 2008 BY - ALL RIGHTS RESERVED.

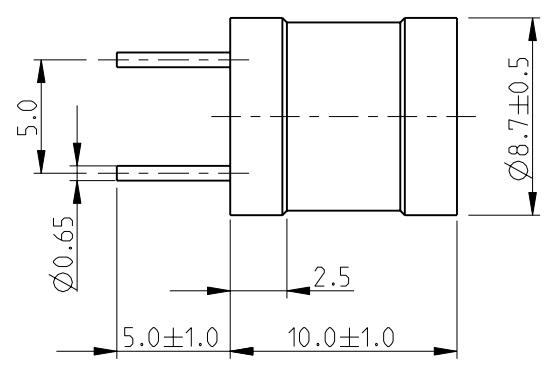
LOC	DIST	REVISIONS			
P	LTR	DESCRIPTION	DATE	DWN	APVD
E	B	BB	ECR-12-012596	12JUL2012	KR TN

SC0405

FOR FURTHER INFORMATION SEE DATA SHEET FOR SERIES SC, AXIAL LEADED INDUCTORS

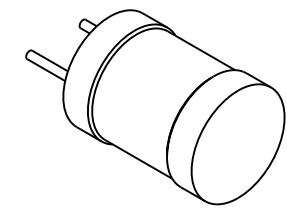


SC0912



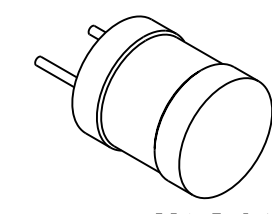
RoHS Compliant

SC0914



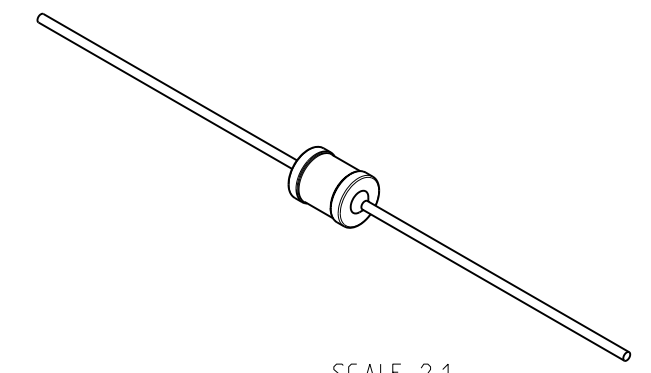
SCALE 2:1

SC0912



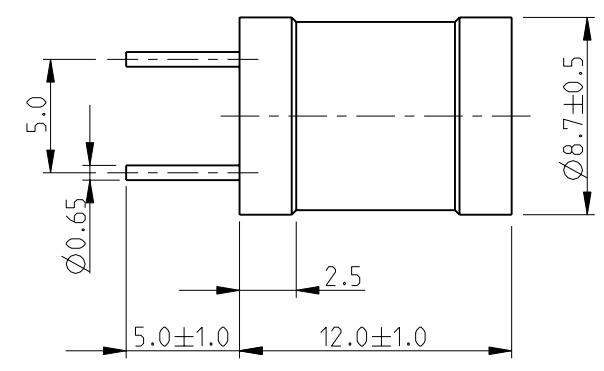
SCALE 2:1

SC0405



SCALE 2:1

SC0914



THIS DRAWING IS A CONTROLLED DOCUMENT.

DWN	SUBHASH.M	11-DEC-08
CHK	PRAKASH.S	11-DEC-08
APVD	STEPHEN.P	11-DEC-08

STE TE Connectivity

DIMENSIONS:	TOLERANCES UNLESS OTHERWISE SPECIFIED:
mm	
0 PLC	± 0.2
1 PLC	± 0.1
2 PLC	± -
3 PLC	± -
4 PLC	± -
ANGLES	± 5°
MATERIAL	FINISH
-	-

NAME LEADED INDUCTORS SERIES - SC			
SIZE	CAGE CODE	DRAWING NO	RESTRICTED TO
A3	00779	1624055	-

CUSTOMER DRAWING SCALE 10:1 SHEET 1 OF 1 REV BB

Mouser Electronics

Authorized Distributor

Click to View Pricing, Inventory, Delivery & Lifecycle Information:

[TE Connectivity:](#)

[SC30R82KT](#)