



Features:

- Motor: Brushless DC
- Motor Protection: IC
- Bearing Type: Two Ball
- Connection: UL 1007 AWG 24, 285mm Wire Leads
- Frame Material: Plastic UL94V-0
- Impeller Material: Plastic UL94V-0
- Operating Temp:
Two Ball: -10°C~70°C
- Life Expectancy:
Two Ball: 70,000 Hours

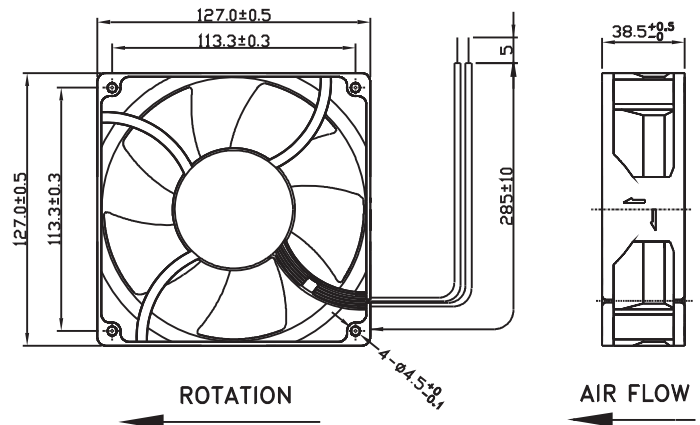
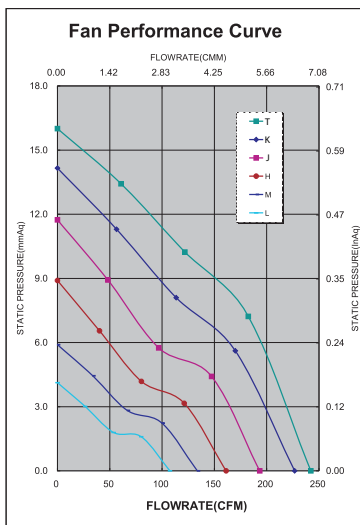


Fan-S Division



Model No.	Volt.	Current	Power	Rated Speed	Maximum AirFlow		Maximum Static Pressure		Noise Level	Weight
	(VDC)	(A)	(W)	(rpm)	(CMM)	(CFM)	(InAq)	(mmAq)	(dB/A)	(g)
FAD1-12738CBLW12	12	0.25	3.00	2000	3.030	107.00	0.160	4.00	41.0	370
FAD1-12738CBMW12	12	0.38	4.56	2500	3.766	133.00	0.230	5.75	47.5	370
FAD1-12738CBHW12	12	0.65	7.80	2950	4.559	161.00	0.350	8.75	53.0	370
FAD1-12738CBJW12	12	1.06	12.72	3500	5.466	193.00	0.460	11.50	56.0	370
FAD1-12738CBKW12	12	1.95	23.40	4100	6.400	226.00	0.550	13.75	62.0	370
FAD1-12738DBLW12	24	0.15	3.60	2000	3.030	107.00	0.160	4.00	41.0	370
FAD1-12738DBMW12	24	0.22	5.28	2500	3.766	133.00	0.230	5.75	47.5	370
FAD1-12738DBHW12	24	0.36	8.64	2950	4.559	161.00	0.350	8.75	53.0	370
FAD1-12738DBJW12	24	0.50	12.00	3500	5.466	193.00	0.460	11.50	56.0	370
FAD1-12738DBKW12	24	0.94	22.56	4100	6.400	226.00	0.550	13.75	62.0	370
FAD1-12738DBTW12	24	1.10	26.40	4500	6.853	242.00	0.630	15.75	64.5	370
FAD1-12738EBLW12	48	0.11	5.28	2000	3.030	107.00	0.160	4.00	41.0	370
FAD1-12738EBMW12	48	0.15	7.20	2500	3.766	133.00	0.230	5.75	47.5	370
FAD1-12738EBHW12	48	0.21	10.08	2950	4.559	161.00	0.350	8.75	53.0	370
FAD1-12738EBJW12	48	0.31	14.88	3500	5.466	193.00	0.460	11.50	56.0	370
FAD1-12738EBKW12	48	0.50	24.00	4100	6.400	226.00	0.550	13.75	62.0	370
FAD1-12738EBTW12	48	0.64	30.72	4500	6.853	242.00	0.630	15.75	64.5	370

Noise is measured at the distance of one (1) meter from the axis of intake.



Mouser Electronics

Authorized Distributor

Click to View Pricing, Inventory, Delivery & Lifecycle Information:

Qualtek:

[FAD1-12738CBHW12](#) [FAD1-12738CBJW12](#) [FAD1-12738CBKW12](#) [FAD1-12738CBLW12](#) [FAD1-12738CBMW12](#)
[FAD1-12738DBHW12](#) [FAD1-12738DBJW12](#) [FAD1-12738DBKW12](#) [FAD1-12738DBLW12](#) [FAD1-12738DBMW12](#)
[FAD1-12738DBTW12](#) [FAD1-12738EBHW12](#) [FAD1-12738EBJW12](#) [FAD1-12738EBKW12](#) [FAD1-12738EBLW12](#)
[FAD1-12738EBMW12](#) [FAD1-12738EBTW12](#)