

NOTES:

1. MATERIALS AND FINISHES:

BODY - BRASS, GOLD PLATING (.000003" MIN. THICK OVER NICKEL PLATING .000100" MIN. THICK OVER COPPER STRIKE)
 CONTACT - BeCu, GOLD PLATING (.000030" MIN. THICK OVER NICKEL PLATING .000100" MIN. THICK OVER COPPER STRIKE)
 INSULATOR - PTFE, NATURAL

2. ELECTRICAL:

A. IMPEDANCE: 50 OHM
 B. FREQUENCY RANGE: DC - 6 GHz
 C. D.W.V: 1000 VRMS, MIN.

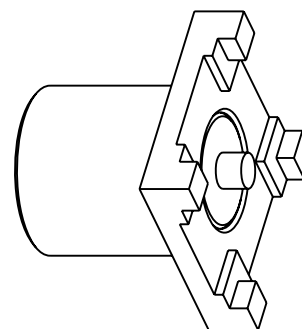
3. MECHANICAL:

A. DURABILITY: 500 CYCLES MIN.
 B. TEMPERATURE RANGE: -65°C TO +165°C

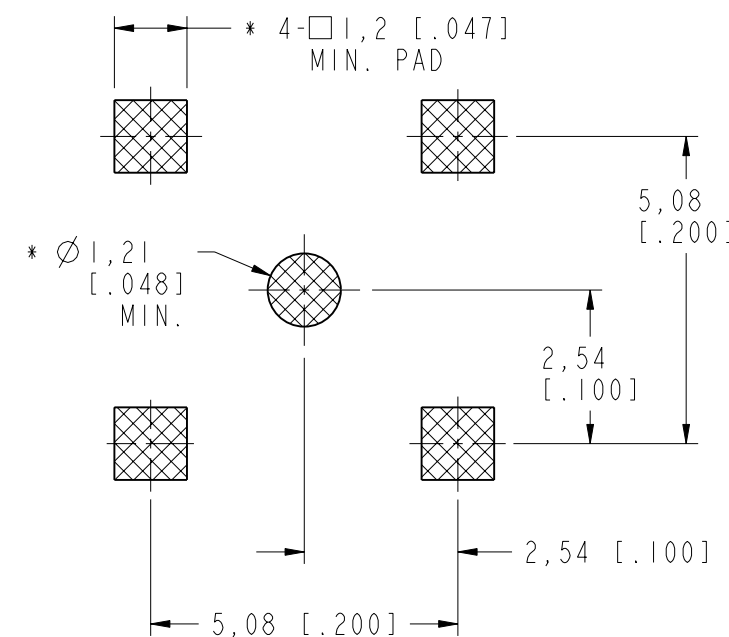
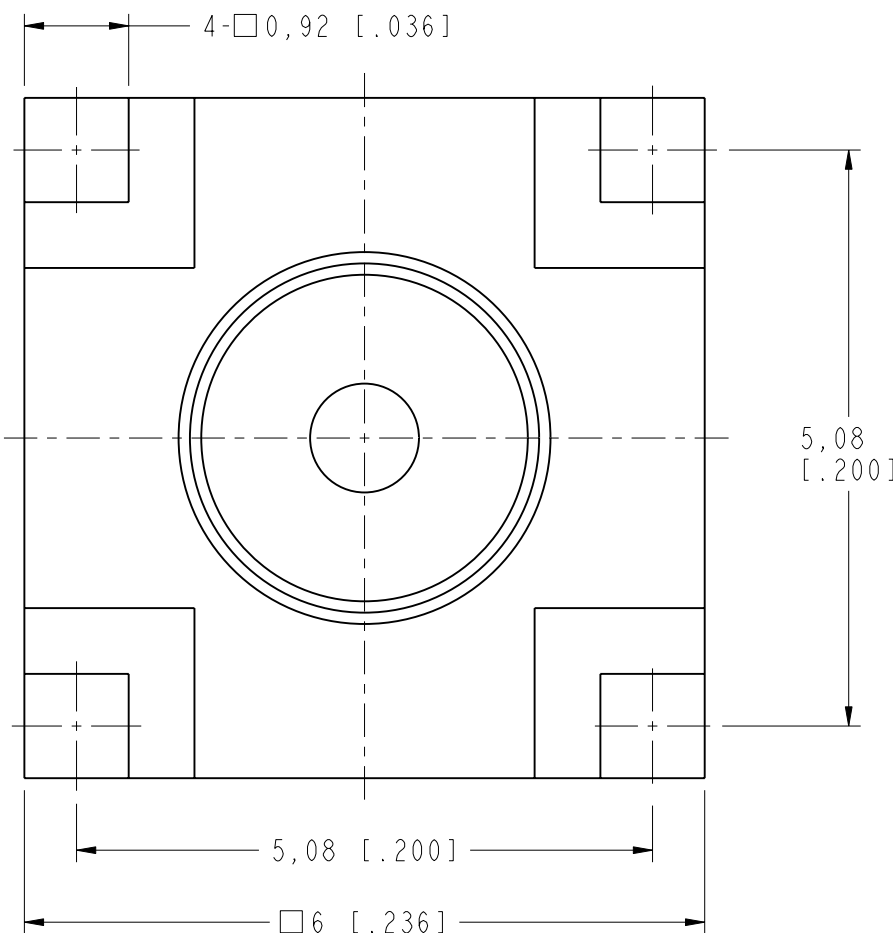
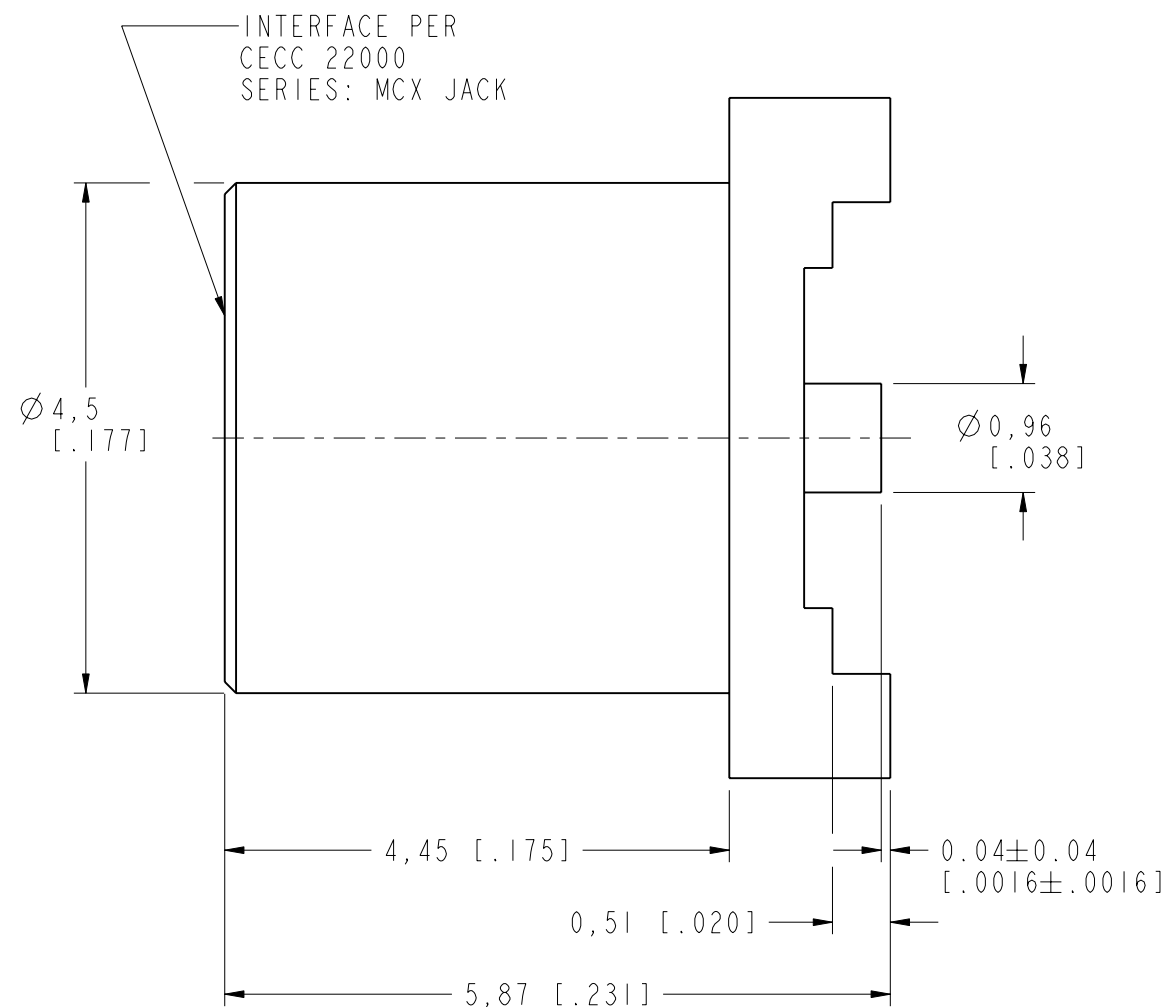
THIRD ANGLE PROJ.

REVISIONS

REV	DESCRIPTION	DATE	ECO	APPR
A	MODIFY MOUNTING LEGS	14-Dec-00	-----	GRS
B	MODIFY MOUNTING LEGS	05-Jan-03	-----	GRS
C	ADD RECOMMENDED PCB LAYOUT	25-Aug-04	-----	GRS
D	THE CENTER CONTACT WAS CHANGED\RD-DM92012901L	13-Feb-03	-----	TONY
E	THE BODY WAS CHANGED\RD-DM11022101MI	22-Feb-11	-----	SCOTT
F	SYNC, ADD THE PLATING THICKNESSES (MIN.) TO THE COMPONENTS IN NOTE 1\N/A	01-Sep-15	50729	SH



SCALE 5.000



RECOMMENDED
 PCB MOUNTING HOLE
 * PAD DIMENSIONS MAY NEED
 TO BE ADJUSTED FOR
 RF PERFORMANCE

CUSTOMER OUTLINE DRAWING

ALL OTHER SHEETS ARE FOR INTERNAL USE ONLY

UNLESS OTHERWISE SPECIFIED, DIMENSIONS ARE IN METRIC AND TOLERANCES ARE:
 < 0.5mm ± 0.05mm 0.5 - 6mm ± 0.1mm 6 - 30mm ± 0.2mm 30 - 120mm ± 0.3mm ANGLES ± 1°

NOTICE - These drawings, specifications, or other data (1) are, and remain the property of Amphenol corp. (2) must be returned upon request; and (3) are confidential and not to be disclosed to any person other than those to whom they are given by Amphenol Corp. the furnishing of these drawings, specifications, or other data by Amphenol Corp., or to any other person to anyone for any purpose is not to be regarded by implication or otherwise in any manner licensing, granting rights to permitting such holder or any other person to manufacture, use or sell any product, process or design, patented or otherwise, that may in any way be related to or disclosed by said drawings, specifications, or other data.

MATERIAL	DRAWN M. ZHANG	DATE 17-Aug-15
REFERENCE AND CONFIGURATION LEVEL: In Work	ENGINEER RICHER	DATE 14-Feb-06
FINISH	APPROVED S. HSIEH	DATE 17-Aug-15
	CAD FILE	

TITLE MCX P.C. BOARD RECEPT. JACK (SURFACE MOUNT - 50 OHMS)	SCALE: 15.0:1.0	SHEET 2 OF 2
DWG SIZE B	REV F	

Amphenol RF
www.amphenolrf.com
DRAWING NO. MCX6251B4-3GT30G-50
ITEM NO. 086251AAE02GE5F
PART NO. 252117