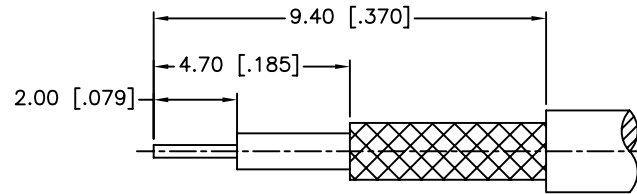
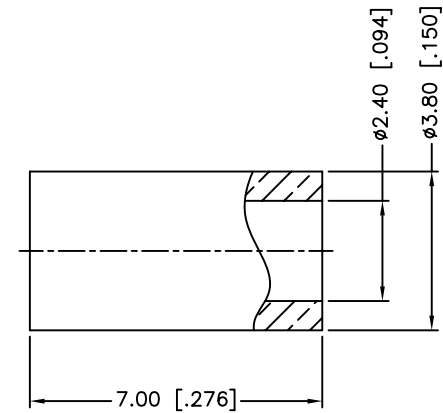
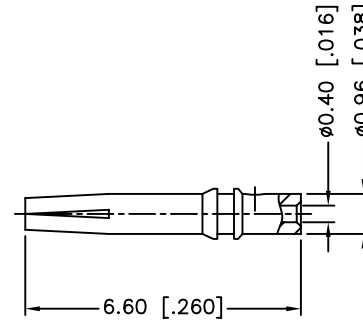
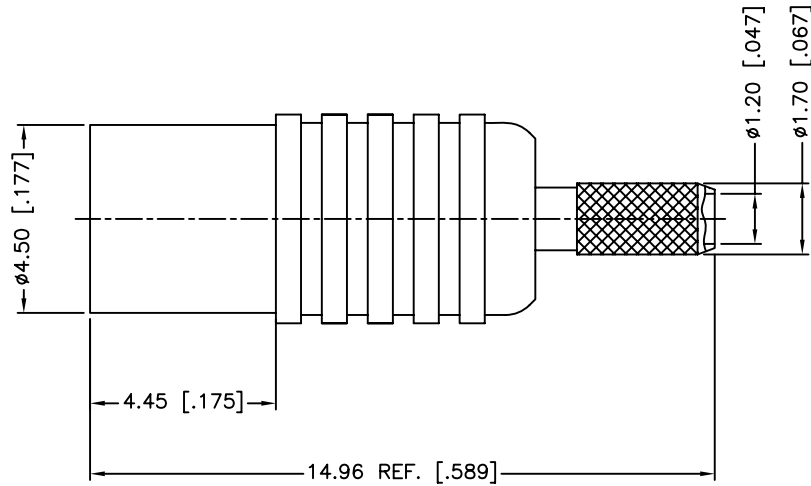


REV.	DATE	ECR NO.	DESCRIPTION
NC	01/22/98	XXXXXX	INITIAL RELEASE
A	01/08/02'	XXXXXX	CHANGE FERRULE
B	09/13/13'	2525	UPDATE DRAWING FORMAT



RECOMMENDED
CABLE STRIPPING DIM'S



1. IMPEDANCE: 50 OHM
2. FREQUENCY RANGE: 0-6 GHZ
3. DIELECTRIC WITHSTANDING VOLTAGE: 1000 VRMS, MIN.
4. DURABILITY: 500 CYCLES MIN.
5. TEMPERATURE RANGE: -55°C TO +155°C
6. CRIMPED FERRULE
HEX CRIMP SIZE .128"
7. CONTACT PIN TO SOLDER

				APPROVALS		DATE	<h1 style="color: blue; text-align: center;">Amphenol Connex</h1>					
				DRAWN	S.LI	09/13/13				PART DESCRIPTION MCX CRIMP JACK (FOR RG-178B/U, 196A/U)		
				CHECKED			PART NO. 252137					
				ISSUED						DWG. NO. 252137.DWG <table style="float: right; margin-left: 20px;"> <tr> <td>REV. B</td> <td>SIZE A</td> <td>SCALE NA</td> </tr> </table>		
REV. B	SIZE A	SCALE NA										
				SHEET	1 OF 1							
				CAD FILE	C:/CONNEX/252137.DWG							
5	FERRULE	COPPER	GOLD	1	<small>UNLESS OTHERWISE SPECIFIED DIMENSIONS ARE IN MILLIMETERS. DIMENSIONS IN [] ARE IN INCHES AND FOR CUSTOMER REFERENCE ONLY.</small> <small>UNLESS OTHERWISE SPECIFIED TOLERANCES FOR MILLIMETERS ARE:</small> <0.5 ± 0.05mm 0.5 - 6mm ± 0.10mm 6 - 30mm ± 0.20mm 30 - 120mm ± 0.30mm ANGLES ± 1° <small>UNLESS OTHERWISE SPECIFIED TOLERANCES FOR INCHES ARE:</small> <.020 ± 0.002" .020 - .236 ± 0.004" .236 - 1.180 ± 0.007" 1.180 - 4.724 ± 0.012" ANGLES ± 1° DO NOT SCALE DRAWING							
4	BARREL	BRASS	GOLD	1								
3	CONTACT PIN	BER. COPPER	GOLD	1								
2	INSULATOR	PTFE	NATURAL	1								
1	BODY	BRASS	GOLD	1								
	DESCRIPTION	MATERIAL	FINISH	QTY								