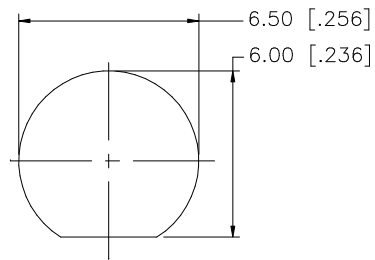
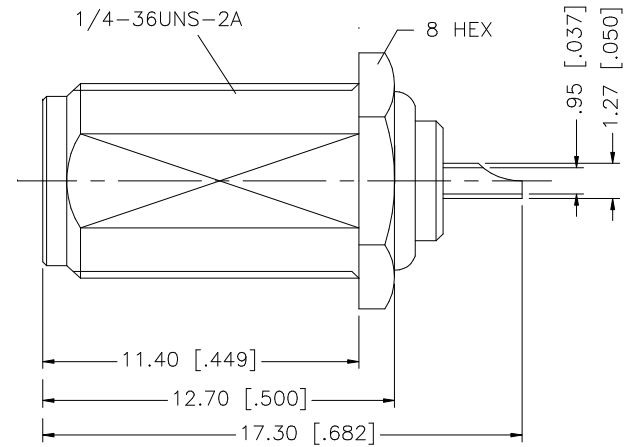
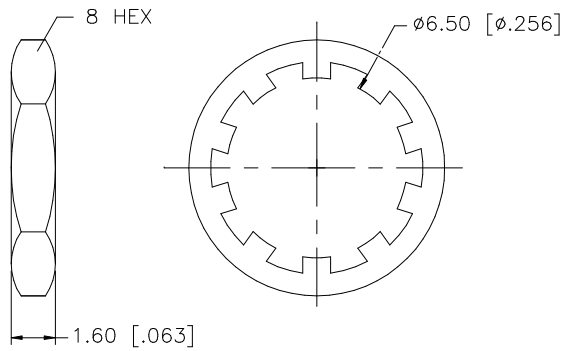


REV.	DATE	DESCRIPTION
A	01/25/04	UPDATE DRAWING FORMAT



RECOMMENDED MOUNTING HOLE



8					<small>UNLESS OTHERWISE SPECIFIED DIMENSIONS ARE IN MILLIMETERS. DIMENSIONS IN [ ] ARE IN INCHES AND FOR CUSTOMER REFERENCE ONLY.</small> <small>UNLESS OTHERWISE SPECIFIED TOLERANCES FOR MILLIMETERS ARE:</small> 0.5 - 8mm ± 0.20mm 8 - 30mm ± 0.40mm 30 - 120mm ± 0.50mm <small>UNLESS OTHERWISE SPECIFIED TOLERANCES FOR INCHES ARE:</small> .020 - .315 = ± 0.007" .315 - 1.180 = ± 0.015" 1.180 - 4.724 = ± 0.020"	APPROVALS	DATE	<h1 style="color: blue; text-align: center;">Amphenol Connex</h1>							
7				DRAWN		G.R.S.	01/25/04								
6				CHECKED				PART DESCRIPTION							
5	HEX NUT	BRASS	GOLD	1		ISSUED			SMA BULKHEAD RECEPT. JACK						
4	LOCK WASHER	BRASS	GOLD	1	SHEET	1 OF 1		PART NO.							
3	CONTACT PIN	BER. COPPER	GOLD	1	CAD FILE			132139							
2	INSULATOR	TEFLON	NATURAL	1	C:/132/132139.DWG			DWG. NO.	132139.DWG	REV.	A	SIZE	A	SCALE	NA
1	BODY	BRASS	GOLD	1				DO NOT SCALE DRAWING							

# Mouser Electronics

Authorized Distributor

Click to View Pricing, Inventory, Delivery & Lifecycle Information:

[Amphenol:](#)

[132139](#)