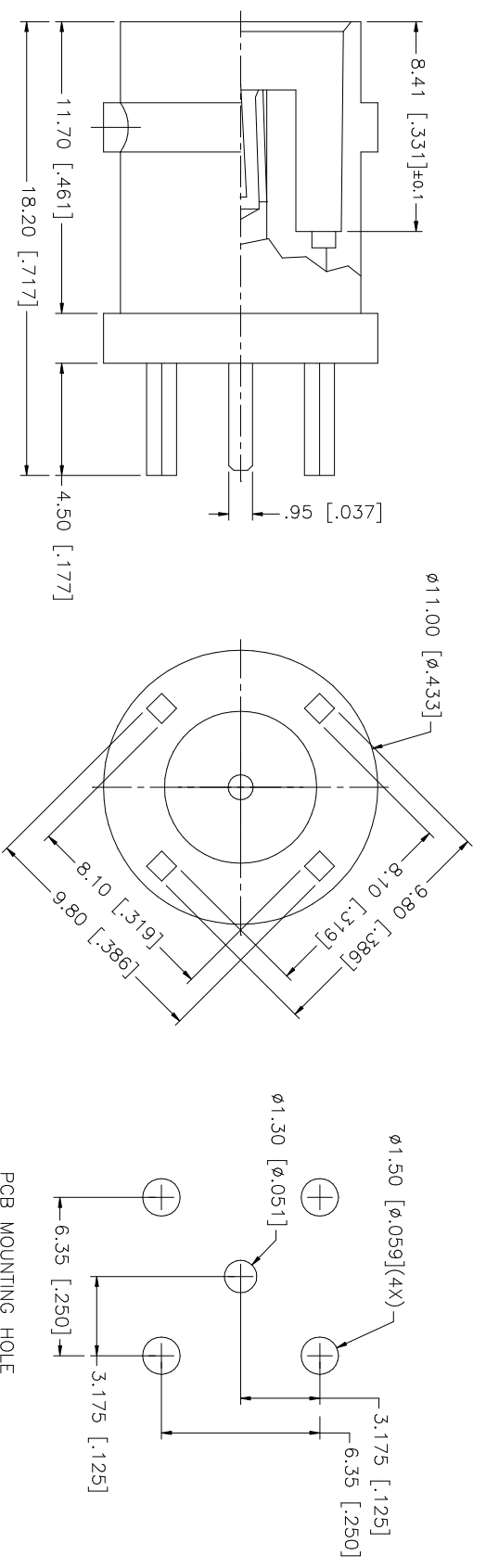


REV.	DATE	DESCRIPTION
A	01/06/03	UPDATE DRAWING FORMAT



DESCRIPTION	MATERIAL	FINISH	QTY	UNLESS OTHERWISE SPECIFIED DIMENSIONS ARE IN INCHES AND FOR CUSTOMER REFERENCE ONLY. TOLERANCES FOR MILLIMETERS ARE:	UNLESS OTHERWISE SPECIFIED DIMENSIONS ARE IN INCHES AND FOR CUSTOMER REFERENCE ONLY. TOLERANCES FOR MILLIMETERS ARE:	APPROVALS	DATE	PART DESCRIPTION									
4	LOCK RING	BRASS	NICKEL	1	0.5 - 8mm ± 0.20mm			Amphenol Connex BNC P.C. MOUNT RECEIPT JACK 50 ohm TF-4 POST 112404									
3	CONTACT PIN	PHOS. BRONZE	GOLD	1	8 - 30mm ± 0.40mm												
2	INSULATOR	TEFLON	NATURAL	1	30 - 120mm ± 0.50mm												
1	BODY	BRASS	NICKEL	1	UNLESS OTHERWISE SPECIFIED TOLERANCES FOR INCHES ARE: .020 - .315 = ± 0.007" .315 - 1.180 = ± 0.015" 1.180 - 4.724 = ± 0.020"												
DESCRIPTION				MATERIAL	FINISH	QTY	DO NOT SCALE DRAWING	CAD FILE	C:\112\112404.DWG	DWG. NO.	112404.DWG	REV.	A	SIZE	A	SCALE	NA

Mouser Electronics

Authorized Distributor

Click to View Pricing, Inventory, Delivery & Lifecycle Information:

[Amphenol:](#)

[112404](#)