

Low Noise, High IP3

Monolithic Amplifier

PSA-0012+

50Ω 0.05 to 6 GHz



CASE STYLE: CA1389

The Big Deal

- Ideal IF Amplifier
 - Low Gain
 - Low Noise Figure, 2.4dB
 - High Output Power
- Wide band
- Miniature Package

Product Overview

The PSA-0012+ is an advanced wide band, high dynamic range, low noise, high IP3, high output power, monolithic amplifier. Manufactured using E-PHEMT* technology enables it to work with a single positive supply voltage.

Key Features

| Feature | Advantages |
|--|--|
| Ideal Combined Performance Low Noise: 2.3 dB High IP3: +35 dBm High P1dB: +22 dBm Low Gain: 15dB | The PSA-0012+ design is optimized for use in critical IF Amplifier applications having an ideal combination of Low Gain, Low Noise, and High Output Power. |
| Wide band operation 50 MHz to 6000 MHz | Operating over a broad frequency range, the PSA-0012+ covers a wide range of typical IF bands making this amplifier ideal for use in a variety of applications. |
| Excellent Return Loss Input: 12 dB up to 4 GHz Output: 15 dB up to 5 GHz | With 12 dB input and 15 dB output return loss, the PSA-0012+ can be integrated into critical circuits with confidence that VSWR interactions with input and output components will have minimum affect on performance. |
| May be a replacement for MAALSS0012 ^{a,b} | The PSA-0012+ is pin-for-pin compatible with the M/A-Com IF Amplifier and provides comparable performance making it an ideal replacement. |

Notes:

a. Suitability for model replacement within a particular system must be determined by and is solely the responsibility of the customer based on, among other things, electrical performance criteria, stimulus conditions, application, compatibility with other components and environmental conditions and stresses.

b. The M/A COM part number is used for identification and comparison purposes only.

Notes

A. Performance and quality attributes and conditions not expressly stated in this specification document are intended to be excluded and do not form a part of this specification document.

B. Electrical specifications and performance data contained in this specification document are based on Mini-Circuit's applicable established test performance criteria and measurement instructions.

C. The parts covered by this specification document are subject to Mini-Circuits standard limited warranty and terms and conditions (collectively, "Standard Terms"); Purchasers of this part are entitled to the rights and benefits contained therein. For a full statement of the Standard Terms and the exclusive rights and remedies thereunder, please visit Mini-Circuits' website at www.minicircuits.com/MCLStore/terms.jsp



Low Noise, High IP3

Monolithic Amplifier

PSA-0012+

50Ω 0.05 to 6 GHz

Product Features

- Low Noise Figure, 2.4dB typ. at 1 GHz
- High IP3, up to 34 dBm typ. at 1 GHz
- Output Power at 1dB comp., up to +22 dBm typ.
- Gain, 16 dB typ. at 1GHz
- Micro-miniature size SOT-363 package
- May be used as replacement for M/A COM MAALSS0012^{a,b}



Generic photo used for illustration purposes only

CASE STYLE: CA1389

Typical Applications

- Cellular
- ISM
- GSM
- WCDMA
- LTE
- WiMax
- WLAN
- UNII and HIPERLAN

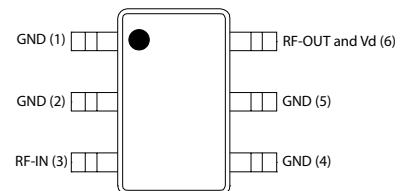
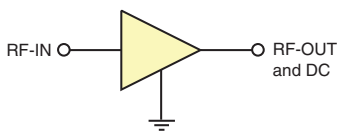
+RoHS Compliant

The +Suffix identifies RoHS Compliance. See our web site for RoHS Compliance methodologies and qualifications

General Description

PSA-0012+ is an advanced wideband, high dynamic range, low noise, high IP3, high output power, monolithic amplifier. Manufactured using E-PHEMT* technology enables it to work with a single positive supply voltage.

simplified schematic and pin description



| Function | Pin Number | Description (See Application Circuit, Fig. 2) |
|-------------|------------|---|
| RF IN | 3 | RF input pin (connect to RF-IN via DC blocking cap) |
| RF-OUT & Vd | 6 | RF output pin (connected to RF-out via blocking cap C2 and supply voltage Vd via RF Choke L1) |
| GND | 1,2,4,5 | Connections to ground |

* Enhancement mode pseudomorphic High Electron Mobility Transistor.

Notes:

- Suitability for model replacement within a particular system must be determined by and is solely the responsibility of the customer based on, among other things, electrical performance criteria, stimulus conditions, application, compatibility with other components and environmental conditions and stresses.
- The M/A COM part number is used for identification and comparison purposes only.

Notes

- Performance and quality attributes and conditions not expressly stated in this specification document are intended to be excluded and do not form a part of this specification document.
- Electrical specifications and performance data contained in this specification document are based on Mini-Circuit's applicable established test performance criteria and measurement instructions.
- The parts covered by this specification document are subject to Mini-Circuits standard limited warranty and terms and conditions (collectively, "Standard Terms"); Purchasers of this part are entitled to the rights and benefits contained therein. For a full statement of the Standard Terms and the exclusive rights and remedies thereunder, please visit Mini-Circuits' website at www.minicircuits.com/MCLStore/terms.jsp



www.minicircuits.com P.O. Box 350166, Brooklyn, NY 11235-0003 (718) 934-4500 sales@minicircuits.com

REV. A
M151107
PSA-0012+
ED-13746A
MCL
200428
Page 2 of 5

Electrical Specifications⁽¹⁾ at 25°C, Zo=50Ω

| Parameter | Condition (GHz) | Min. | Typ. | Max. | Units |
|---|-----------------|------|------|------|-------|
| Frequency Range | | 0.05 | | 6.0 | GHz |
| at DC Volts (Vd) | | | 5.0 | | V |
| DC Current (Id) | | 60 | 74 | 100 | mA |
| Noise Figure | 0.05 | | 2.9 | — | dB |
| | 0.5 | | 2.3 | — | |
| | 1.0 | | 2.3 | — | |
| | 2.0 | | 2.4 | 3.0 | |
| | 3.0 | | 2.5 | — | |
| | 4.0 | | 2.8 | — | |
| | 5.0 | | 3.2 | — | |
| Gain | 0.05 | — | 18.2 | — | dB |
| | 0.5 | — | 16.4 | — | |
| | 1.0 | 14.1 | 15.7 | 17.3 | |
| | 2.0 | — | 14.2 | — | |
| | 3.0 | — | 12.9 | — | |
| | 4.0 | — | 11.8 | — | |
| | 5.0 | — | 10.6 | — | |
| Input Return Loss | 0.05-0.5 | | 11 | | dB |
| | 0.5-4.0 | | 12 | | |
| | 4.0-6.0 | | 9 | | |
| Output Return Loss | 0.05-0.2 | | 12 | | dB |
| | 0.2-5 | | 15 | | |
| | 5-6 | | 11 | | |
| Output IP3 | 0.05 | | 31.7 | | dBm |
| | 0.5 | | 33.8 | | |
| | 1.0 | | 33.9 | | |
| | 2.0 | | 35.0 | | |
| | 3.0 | | 35.1 | | |
| | 4.0 | | 35.8 | | |
| | 5.0 | | 35.4 | | |
| 6.0 | | 35.1 | | | |
| Output Power @ 1dB compression ⁽²⁾ | 0.05 | | 21.7 | | |
| | 0.5 | | 21.8 | | |
| | 1.0 | | 21.8 | | |
| | 2.0 | | 22.0 | | |
| | 3.0 | | 22.1 | | |
| | 4.0 | | 22.1 | | |
| | 5.0 | | 21.9 | | |
| 6.0 | | 21.2 | | | |
| Thermal Resistance | | | 137 | | °C/W |

Absolute Maximum Ratings⁽³⁾

| Parameter | Ratings |
|--------------------------------------|-----------------|
| Operating Temperature ⁽⁴⁾ | -40°C to 85°C |
| Storage Temperature | -65°C to 150°C |
| Channel Temperature | 160°C |
| DC Voltage (Pin 6) | 6 |
| Device Current (Pin 6) | 110 mA |
| Power Dissipation | 550 mW |
| Input Power (CW) | 0.05-3GHz 14dBm |
| | 3-6GHz 19dBm |

- Notes:
⁽¹⁾ Measured on Mini-Circuits Characterization test board TB-539+ See Characterization Test Circuit (Fig. 1)
⁽²⁾ Current increases at P1dB
⁽³⁾ Permanent damage may occur if any of these limits are exceeded. These ratings are not intended for continuous normal operation.
⁽⁴⁾ Defined with reference to ground lead temperature.
⁽⁵⁾ Termination, 50 ohms

Notes
 A. Performance and quality attributes and conditions not expressly stated in this specification document are intended to be excluded and do not form a part of this specification document.
 B. Electrical specifications and performance data contained in this specification document are based on Mini-Circuit's applicable established test performance criteria and measurement instructions.
 C. The parts covered by this specification document are subject to Mini-Circuits standard limited warranty and terms and conditions (collectively, "Standard Terms"); Purchasers of this part are entitled to the rights and benefits contained therein. For a full statement of the Standard Terms and the exclusive rights and remedies thereunder, please visit Mini-Circuits' website at www.minicircuits.com/MCLStore/terms.jsp



Characterization Test Circuit

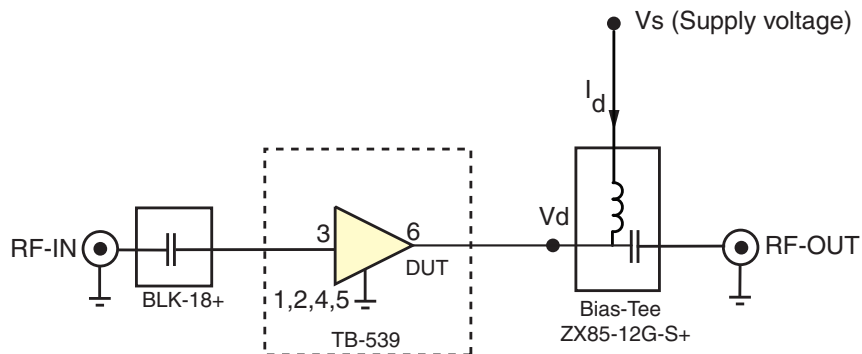


Fig 1. Block Diagram of Test Circuit used for characterization. (DUT soldered on Mini-Circuits Test Board TB-539+) Gain, Return loss, Output power at 1dB compression (P1 dB), Output IP3 (OIP3) and Noise Figure measured using Agilent's N5242A PNA-X microwave network analyzer.

Conditions:

1. Gain: Pin= -25dBm
2. Output IP3 (OIP3): Two tones, spaced 1 MHz apart, 5 dBm/tone at output.
3. Vs adjusted for 5V at device (Vd), compensating loss of bias tee.

Recommended Application Circuit

(refer to evaluation board for PCB Layout and component values)

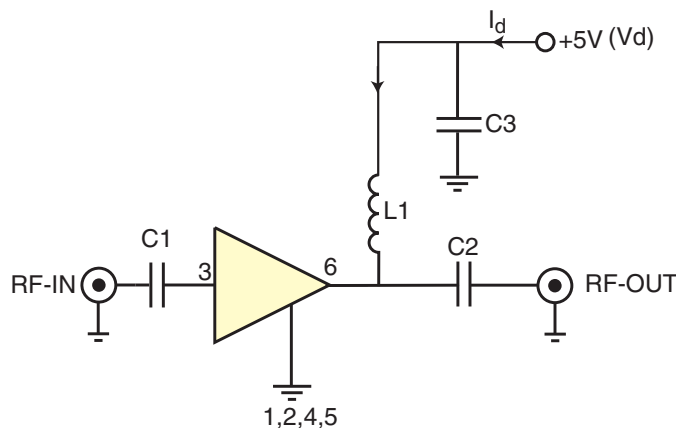


Fig 2. Recommended Application Circuit

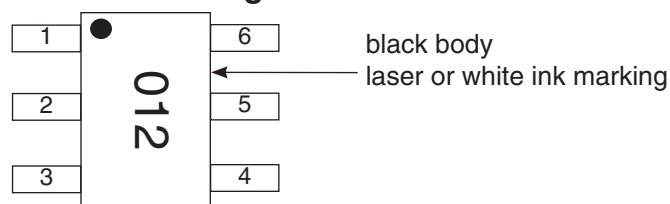
Note: Resistance of L1, 0.1-0.2Ω typically

Notes

- A. Performance and quality attributes and conditions not expressly stated in this specification document are intended to be excluded and do not form a part of this specification document.
- B. Electrical specifications and performance data contained in this specification document are based on Mini-Circuit's applicable established test performance criteria and measurement instructions.
- C. The parts covered by this specification document are subject to Mini-Circuits standard limited warranty and terms and conditions (collectively, "Standard Terms"); Purchasers of this part are entitled to the rights and benefits contained therein. For a full statement of the Standard Terms and the exclusive rights and remedies thereunder, please visit Mini-Circuits' website at www.minicircuits.com/MCLStore/terms.jsp



Product Marking



Marking may contain other features or characters for internal lot control

Additional Detailed Technical Information

Additional information is available on our web site www.minicircuits.com. To access this information enter the model number on our web site home page.

Performance data, graphs, s-parameter data set (.zip file)

Case Style: CA1389

Plastic molded SOT-363 package, lead finish: matte tin

Tape & Reel: F101

Standard quantities available on reel: 7" reels with 20, 50, 100, 200, 500, 1K, or 2K devices.

Suggested Layout for PCB Design: PL-316

Evaluation Board: TB-541+

Environmental Ratings: ENV08T2

ESD Rating

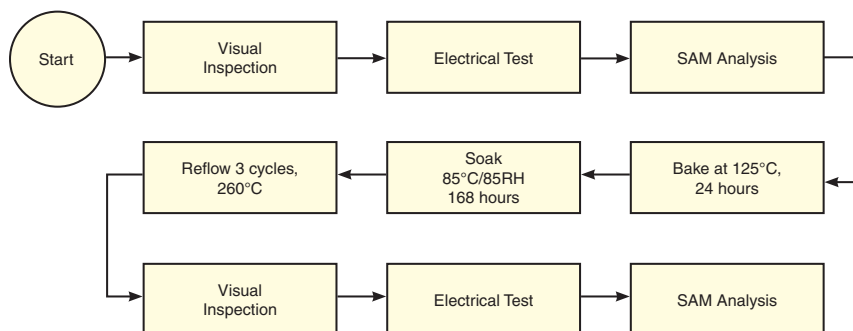
Human Body Model (HBM): Class 0 (<250V) in accordance with ANSI/ESD STM 5.1 - 2001; passes 150V

Machine Model (MM): Class M1 (<100V) in accordance with ANSI/ESD STM5.2-1999; passes 25V

MSL Rating

Moisture Sensitivity: MSL1 in accordance with IPC/JEDEC J-STD-020D

MSL Test Flow Chart



Notes

- A. Performance and quality attributes and conditions not expressly stated in this specification document are intended to be excluded and do not form a part of this specification document.
- B. Electrical specifications and performance data contained in this specification document are based on Mini-Circuit's applicable established test performance criteria and measurement instructions.
- C. The parts covered by this specification document are subject to Mini-Circuits standard limited warranty and terms and conditions (collectively, "Standard Terms"); Purchasers of this part are entitled to the rights and benefits contained therein. For a full statement of the Standard Terms and the exclusive rights and remedies thereunder, please visit Mini-Circuits' website at www.minicircuits.com/MCLStore/terms.jsp



Mouser Electronics

Authorized Distributor

Click to View Pricing, Inventory, Delivery & Lifecycle Information:

[Mini-Circuits:](#)

[PSA-0012+](#)