

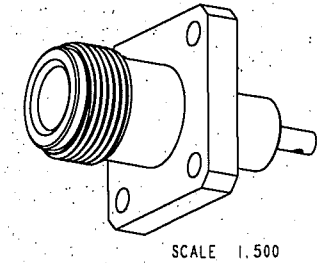
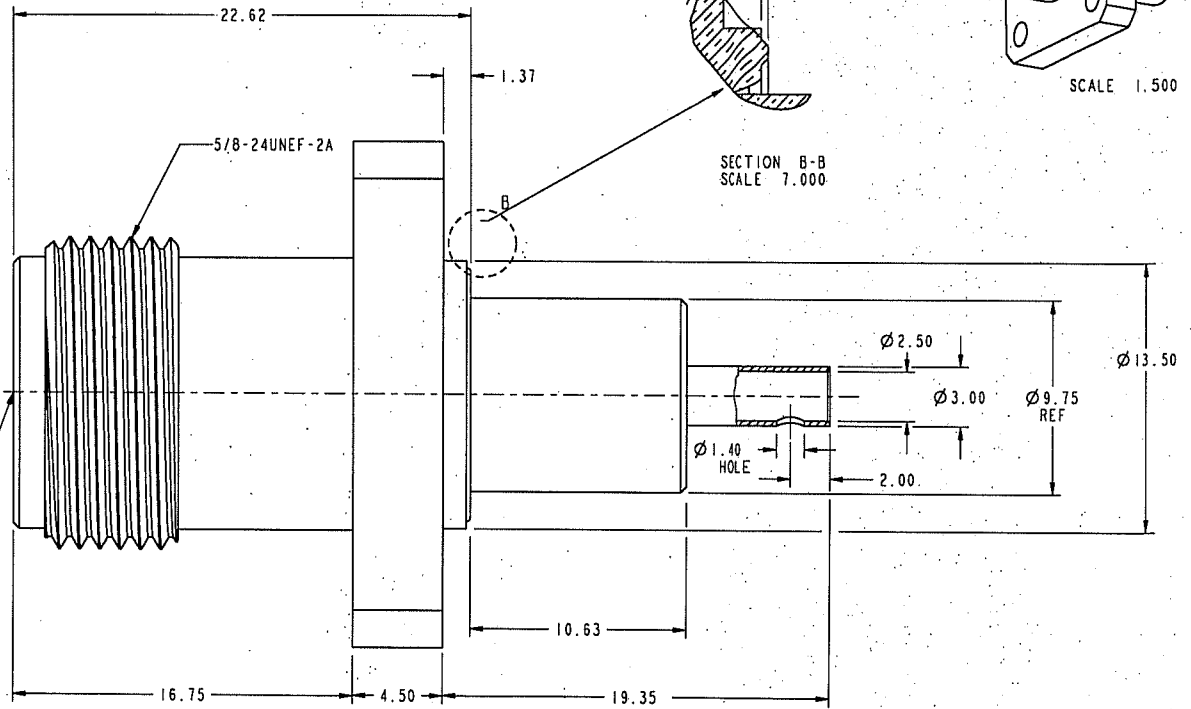
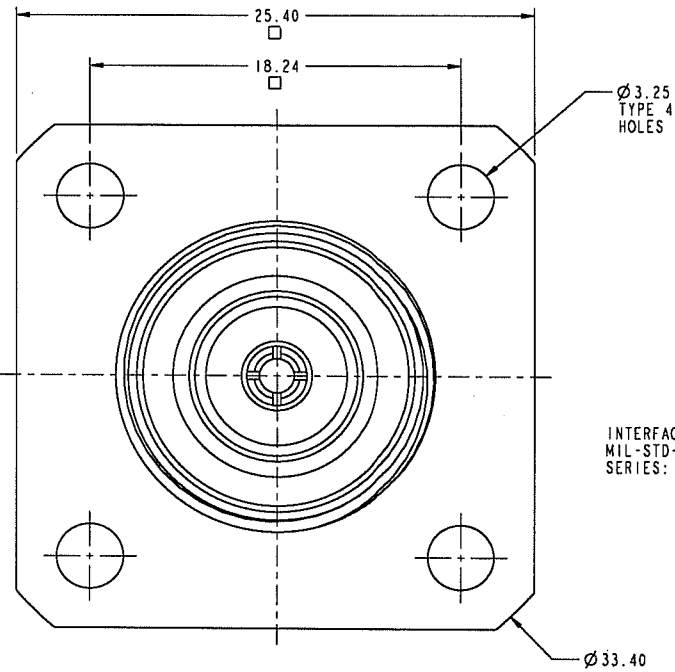
NOTES:

1. MATERIALS AND FINISHES:
 BODY - BRASS, WHITE BRONZE PLATING.
 CONTACT - BeCu, GOLD PLATING.
 INSULATOR - PTFE
 O-RING - SILICON RUBBER, 70 DUROMETER
2. ELECTRICAL:
 A. IMPEDANCE: 50 OHM NOMINAL
 B. IM PERFORMANCE: -120 dBm MAX.
3. MECHANICAL:
 A. DURABILITY: 500 CYCLES MIN.
 B. TEMPERATURE RANGE: -65°C TO +165°C
 C. SEALING REQUIREMENT: IP-68 MUST WITHSTAND 1.1 METER DEPTH OF WATER FOR 30 MINS. WITHOUT ANY SIGNS OF LEAKAGE
4. PACKAGING:
 A. QUANTITY: SINGLE PACK
 B. MARKING: BAG TO BE MARKED "AMPHENOL, 82-6442, AND DATE CODE"

THIRD ANGLE PROJ.

REVISIONS

REV	DESCRIPTION	DATE	ECO	APPR
A	RELEASE TO MFG.	--	47337	BM
B	19.35 WAS 17.98; 9.75 WAS MADE REF	26-Nov-08	47371	RR
C	SEE SHEET 1	10-Feb-09	47419	



CUSTOMER OUTLINE DRAWING
 ALL OTHER SHEETS ARE FOR INTERNAL USE ONLY

UNLESS OTHERWISE SPECIFIED, DIMENSIONS ARE IN METRIC AND TOLERANCES ARE: 0.5 - 6mm ±0.1mm 6 - 30mm ±0.2mm 30 - 120mm ±0.3mm ANGLES ±1°	MATERIAL	DRAWN VIVEK.C	DATE 30-Apr-08	TITLE ASSEMBLY N, JACK 4 HOLE FLANGE, IP-68		Amphenol RF Danbury CT USA, Taichung, Taiwan, Shenzhen, China www.amphenolrf.com	
	REFERENCE	ENGINEER VIVEK.C	DATE 30-Apr-08				
NOTICE - These drawings, specifications, or other data (1) are, and remain the property of Amphenol Corp. (2) must be returned upon request; and (3) are confidential and not to be disclosed to any person other than those to whom they are given by Amphenol Corp. The furnishing of these drawings, specifications, or other data by Amphenol Corp., or to any other person in any manner, licensing, granting rights to be regarded by implication or otherwise in any manner, use or sell any product, process or design, patented or otherwise, that may in any way be related to or disclosed by said drawings, specifications, or other data.	FINISH	APPROVED ANDY.C	DATE 30-Oct-08	SCALE: 4.0:1.0	SHEET 2 OF 2	ITEM NO. 82-6442	
		CAD FILE I:\N\82-6442			DWG SIZE B	CODE ID 74868	REV C