

TECHNICAL DATA SHEET

Rosenberger®

SnapN
50 Ω PANEL JACK

53QK401-200N5

Electrical data

Impedance	50 Ω
Frequency	DC to 11 GHz
Return loss	≥ 32 dB, DC to 2.5 GHz ≥ 30 dB, 2.5 to 4 GHz ≥ 20 dB, 4 to 5 GHz
Insertion loss	≤ 0.05 dB × √f [GHz]
Insulation resistance	≥ 5 × 10 ¹¹ MΩ
Center contact resistance	≤ 1.0 mΩ
Outer contact resistance	≤ 1.0 mΩ
Test voltage	2500 V rms
Working voltage	1400 V rms
RF-leakage	-90 dB @ 3 GHz -80 dB @ 6 GHz
Intermodulation (3 rd order)	≤ -155 dBc @ 1.8 GHz (2 × 43 dBm)

Mechanical data

Mating cycles	min. 200
Center contact captivation:	≥ 28 N
axial	≥ 3 Ncm
radial	30 N (typ.)
Engagement force	30 N (typ.)
Disengagement force	30 N (typ.)

Environmental data

Temperature range	-40°C to +125°C
Thermal shock	MIL-STD-202, Meth. 107, Cond. B
Corrosion	MIL-STD-202, Meth. 101, Cond. B
Vibration	MIL-STD-202, Meth. 204, Cond. B
Shock	MIL-STD-202, Meth. 213, Cond. I
Moisture resistance	MIL-STD-202, Meth. 106
2002/95/EC (RoHS)	compliant

Tooling

N/A

Suitable cables

N/A

Packing

Standard	50 pcs in box
Weight	29 g/pc

While the information has been carefully compiled to the best of our knowledge, nothing is intended as representation or warranty on our part and no statement herein shall be construed as recommendation to infringe existing patents. In the effort to improve our products, we reserve the right to make changes judged to be necessary.

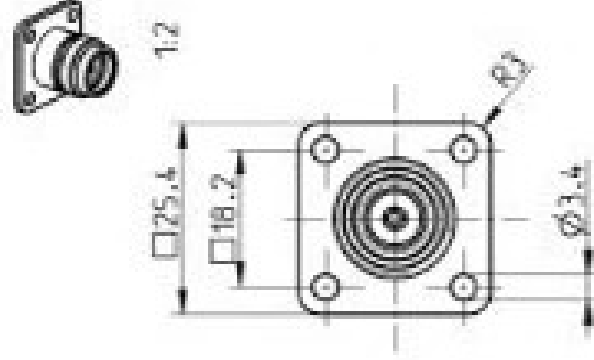
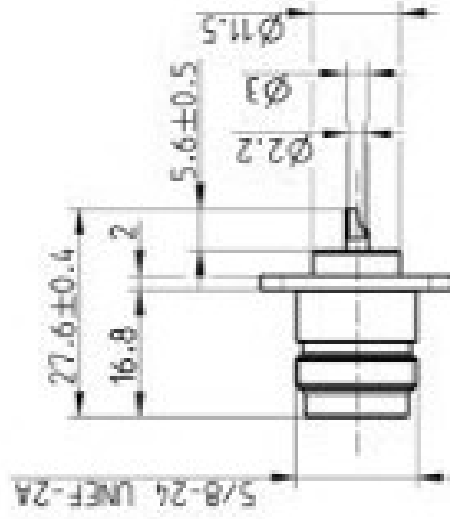
Draw	Date	Approved	Date	Rev.	Engineering change number	Name	Date
Andreas Felber	28/02/05	A. Felber	12/04/07	e03	07-0154	S. Haber-Glag	12/04/07
Rosenberger Hochfrequenztechnik GmbH & Co. KG P.O. Box 1250 D-84526 Tittmoning Germany www.rosenberger.de				Tel.: +49 8664 15-0 Fax: +49 8664 15-999 email: info@rosenberger.de			Page 2 / 2

RF_3595_042.0

SnapN
50 Ω

PANEL JACK

53QK401-200N5



All dimensions are in mm; tolerances according to ISO 2768 m-H

Interface

According to

IEC 60169-16, MIL-PRF-39012, CECC 22210

Documents

Panel piercing

B 12

Material and plating

Connector parts

Center contact

Outer contact

Body

Dielectric

Material

Spring bronze

Brass

Brass

PTFE

Plating

Auro Dur, gold plated

White bronze(e.g. Optalloy®)

White bronze(e.g. Optalloy®)