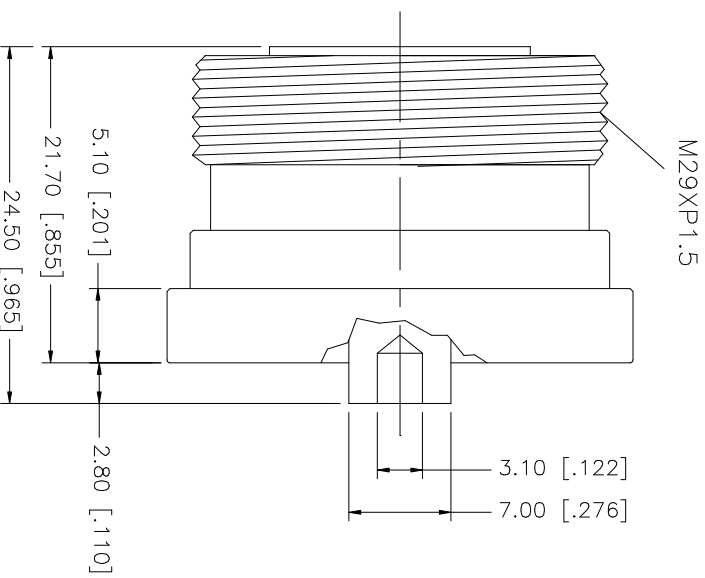
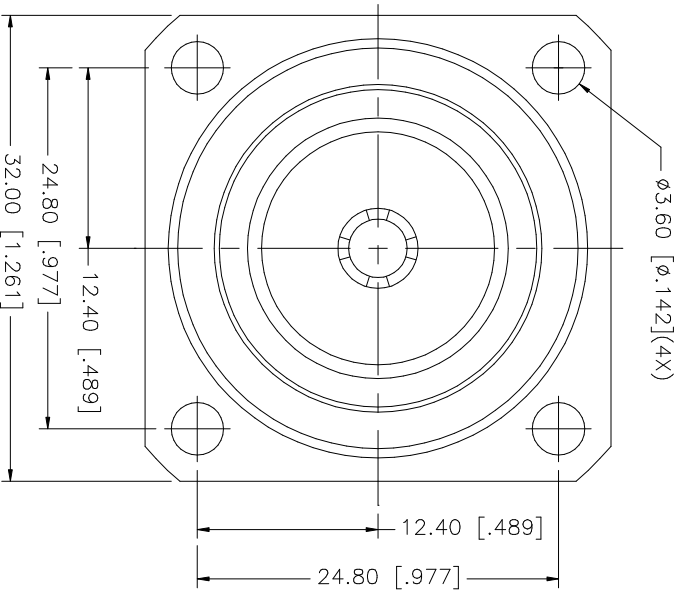


REV.	DATE	DESCRIPTION
NC	03/18/00	INITIAL RELEASE
A	07/30/06	UPDATE DRAWING FORMAT



NO.	DESCRIPTION	MATERIAL	FINISH	QTY	UNLESS OTHERWISE SPECIFIED DIMENSIONS ARE IN MILLIMETERS. DIMENSIONS IN [ ] ARE IN INCHES AND FOR CONVENIENCE ONLY. TOLERANCES FOR MILLIMETERS ARE: 0.5 - 8mm ± 0.20mm 8 - 30mm ± 0.40mm 30 - 120mm ± 0.50mm UNLESS OTHERWISE SPECIFIED DIMENSIONS FOR INCHES ARE: .020 - .315 = ± 0.007" .315 - 1.180 = ± 0.015" 1.180 - 4.724 = ± 0.020"	APPROVALS	DATE	PART DESCRIPTION	
8					DO NOT SCALE DRAWING	DRAWN	G.R.S.	08/03/06	<b>Amphenol Connex</b>  7/16 PANEL RECEPTACLE (SOLDER CONTACT)  272130
7						CHECKED			
6	COVER	PE	BLUE	1		ISSUED			
4	FERRULE	COPPER	NEXCOTE	1		SHEET	1 OF 1		
3	CONTACT PIN	BER. COPPER	SILVER	1					
2	INSULATOR	TEFLON	NATURAL	1					
1	BODY	BRASS	NEXCOTE	1					
	DESCRIPTION	MATERIAL	FINISH	QTY					

NO.	DESCRIPTION	MATERIAL	FINISH	QTY
8				
7				
6	COVER	PE	BLUE	1
4	FERRULE	COPPER	NEXCOTE	1
3	CONTACT PIN	BER. COPPER	SILVER	1
2	INSULATOR	TEFLON	NATURAL	1
1	BODY	BRASS	NEXCOTE	1

NO.	DESCRIPTION	MATERIAL	FINISH	QTY
8				
7				
6	COVER	PE	BLUE	1
4	FERRULE	COPPER	NEXCOTE	1
3	CONTACT PIN	BER. COPPER	SILVER	1
2	INSULATOR	TEFLON	NATURAL	1
1	BODY	BRASS	NEXCOTE	1

NO.	DESCRIPTION	MATERIAL	FINISH	QTY
8				
7				
6	COVER	PE	BLUE	1
4	FERRULE	COPPER	NEXCOTE	1
3	CONTACT PIN	BER. COPPER	SILVER	1
2	INSULATOR	TEFLON	NATURAL	1
1	BODY	BRASS	NEXCOTE	1

# Mouser Electronics

Authorized Distributor

Click to View Pricing, Inventory, Delivery & Lifecycle Information:

[Amphenol:](#)

[272130](#)