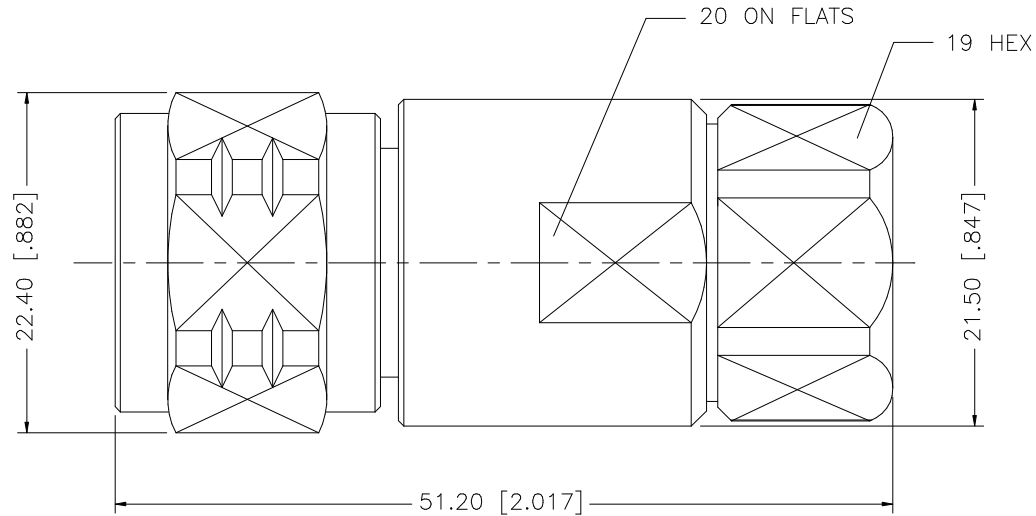


REV.	DATE	DESCRIPTION
NC	10/31/06	INITIAL RELEASE



8				<small>UNLESS OTHERWISE SPECIFIED DIMENSIONS ARE IN MILLIMETERS. DIMENSIONS IN [] ARE IN INCHES AND FOR CUSTOMER REFERENCE ONLY.</small> <small>UNLESS OTHERWISE SPECIFIED TOLERANCES FOR MILLIMETERS ARE:</small> 0.5 - 8mm ± 0.20mm 8 - 30mm ± 0.40mm 30 - 120mm ± 0.50mm <small>UNLESS OTHERWISE SPECIFIED TOLERANCES FOR INCHES ARE:</small> .020 - .315 = ± 0.007" .315 - 1.180 = ± 0.015" 1.180 - 4.724 = ± 0.020" DO NOT SCALE DRAWING	APPROVALS	DATE	<h1 style="color: blue;">Amphenol Connex</h1>		
7					DRAWN	G.R.S.		10/31/06	PART DESCRIPTION N STRAIGHT PLUG FOR 1/2" HELICAL (FSJ) CABLE
6					CHECKED			PART NO. 172FPH4.DWG	
5					ISSUED				
4	GASKET	SILICONE	RED		1	SHEET	1 OF 1	REV. NC	SIZE A
3	CONTACT PIN	BRASS	SILVER	1	CAD FILE				
2	INSULATOR	TEFLON	NATURAL	1	C:/172/172FPH4.DWG				
1	BODY	BRASS	NEXCOTE	1					
	DESCRIPTION	MATERIAL	FINISH	QTY					