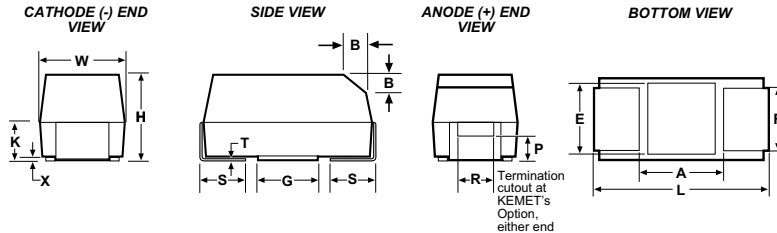


FEATURES

- Meets or Exceeds EIA Standard 535BAAC
- Taped and Reeled per EIA 481-1
- Symmetrical, Compliant Terminations
- Optional Gold-plated Terminations
- Laser-marked Case
- 100% Surge current test on C, D, E, U, V, X sizes
- Capacitance: 0.1 μF to 1000 μF
- Tolerance: $\pm 10\%$, $\pm 20\%$
- Voltage: 3-50 VDC
- Extended Range Values
- New Low Profile Case Sizes

CAPACITOR OUTLINE DRAWING



STANDARD T491 DIMENSIONS

Millimeters (inches)

CASE SIZE		COMPONENT													
KEMET	EIA	L*	W*	H*	K* ± 0.20 $\pm (.008)$	F* ± 0.1 $\pm (.004)$	S* ± 0.3 $\pm (.012)$	B ± 0.15 $(\text{Ref}) \pm (.006)$	X (Ref)	P (Ref)	R (Ref)	T (Ref)	A (Min)	G (Ref)	E (Ref)
A	3216-18	3.2 ± 0.2 (.126 $\pm .008$)	1.6 ± 0.2 (.063 $\pm .008$)	1.6 ± 0.2 (.063 $\pm .008$)	0.9 (.035)	1.2 (.047)	0.8 (.031)	0.4 (.016)	0.10 ± 0.10 (.004 $\pm .004$)	0.4 (.016)	0.4 (.016)	0.13 (.005)	0.8 (.031)	1.1 (.043)	1.3 (.051)
B	3528-21	3.5 ± 0.2 (.138 $\pm .008$)	2.8 ± 0.2 (.110 $\pm .008$)	1.9 ± 0.2 (.075 $\pm .008$)	1.1 (.043)	2.2 (.087)	0.8 (.031)	0.4 (.016)	0.10 ± 0.10 (.004 $\pm .004$)	0.5 (.020)	1.0 (.039)	0.13 (.005)	1.1 (.043)	1.8 (.071)	2.2 (.087)
C	6032-28	6.0 ± 0.3 (.236 $\pm .012$)	3.2 ± 0.3 (.126 $\pm .012$)	2.5 ± 0.3 (.098 $\pm .012$)	1.4 (.055)	2.2 (.087)	1.3 (.051)	0.5 (.020)	0.10 ± 0.10 (.004 $\pm .004$)	0.9 (.035)	1.0 (.039)	0.13 (.005)	2.5 (.098)	2.8 (.110)	2.4 (.094)
D	7343-31	7.3 ± 0.3 (.287 $\pm .012$)	4.3 ± 0.3 (.169 $\pm .012$)	2.8 ± 0.3 (.110 $\pm .012$)	1.5 (.059)	2.4 (.094)	1.3 (.051)	0.5 (.020)	0.10 ± 0.10 (.004 $\pm .004$)	0.9 (.035)	1.0 (.039)	0.13 (.005)	3.8 (.150)	3.5 (.138)	3.5 (.138)
X	7343-43	7.3 ± 0.3 (.287 $\pm .012$)	4.3 ± 0.3 (.169 $\pm .012$)	4.0 ± 0.3 (.157 $\pm .012$)	2.3 (.091)	2.4 (.094)	1.3 (.051)	0.5 (.020)	0.10 ± 0.10 (.004 $\pm .004$)	1.7 (.067)	1.0 (.039)	0.13 (.005)	3.8 (.150)	3.5** (.138)	3.5** (.138)
E	7260-38	7.3 ± 0.3 (.287 $\pm .012$)	6.0 ± 0.3 (.236 $\pm .012$)	3.6 ± 0.2 (.142 $\pm .008$)	2.3 (.091)	4.1 (.161)	1.3 (.051)	0.5 (.020)	0.10 ± 0.10 (.004 $\pm .004$)	0.9 (.035)	1.0 (.039)	0.13 (.005)	3.8 (.150)	3.5 (.138)	3.5 (.138)

- Notes: 1. Metric dimensions govern.
 2. (Ref) - Dimensions provided for reference only.
 * Mil-C-55365/8 Specified Dimensions
 ** Round Glue Pad: 2.9 $\pm 0.1\text{mm}$ (0.114" ± 0.004 ") in diameter at KEMET's option

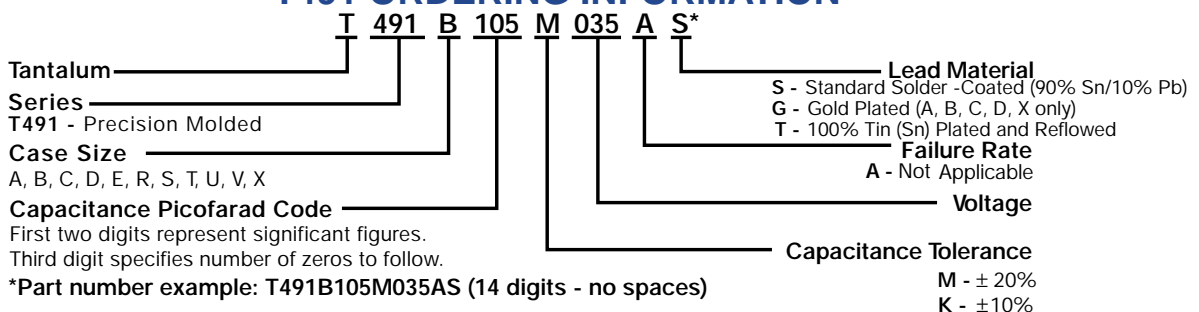
LOW PROFILE T491 DIMENSIONS

Millimeters (inches)

CASE SIZE		COMPONENT										
KEMET	EIA	L	W	H Max.	K Min.	F ± 0.1	S ± 0.3	X (Ref)	T (Ref)	A (Min)	G (Ref)	E (Ref)
R	2012-12	2.0 ± 0.2 (.079 $\pm .008$)	1.3 ± 0.2 (.051 $\pm .008$)	1.2 (.047)	0.3 (.012)	0.9 (.035)	0.5 (.020)	0.05 (.002)	0.13 (.005)	0.8 (.031)	0.5 (.020)	0.8 (.031)
S	3216-12	3.2 ± 0.2 (.126 $\pm .008$)	1.6 ± 0.2 (.063 $\pm .008$)	1.2 (.047)	0.3 (.012)	1.2 (.047)	0.8 (.031)	0.05 (.002)	0.13 (.005)	0.8 (.031)	1.1 (.043)	1.3 (.051)
T	3528-12	3.5 ± 0.2 (.138 $\pm .008$)	2.8 ± 0.2 (.110 $\pm .008$)	1.2 (.047)	0.3 (.012)	2.2 (.087)	0.8 (.031)	0.05 (.002)	0.13 (.005)	1.1 (.043)	1.8 (.071)	2.2 (.087)
U	6032-15	6.0 ± 0.3 (.236 $\pm .012$)	3.2 ± 0.3 (.126 $\pm .012$)	1.5 (.059)	0.5 (.020)	2.2 (.087)	1.3 (.051)	0.05 (.002)	0.13 (.005)	2.5 (.098)	2.8 (.110)	2.4 (.094)
V	7343-20	7.3 ± 0.3 (.287 $\pm .012$)	4.3 ± 0.3 (.169 $\pm .012$)	2.0 (.079)	0.9 (.035)	2.4 (.094)	1.3 (.051)	0.05 (.002)	0.13 (.005)	3.8 (.150)	3.5 (.138)	3.5 (.138)

- Notes: 1. Metric dimensions govern.
 2. (Ref) - Dimensions provided for reference only.
 3. No dimensions provided for B, P or R because low profile cases do not have a bevel or a notch.

T491 ORDERING INFORMATION



T491 TANTALUM CHIP CAPACITANCE VALUES Case Size by Capacitance and Voltage

Standard Capacitance Values

Extended Capacitance Values

Capacitance		Rated Voltage @ +85°C								Capacitance		Rated Voltage @ +85°C									
μF	Code	4	6	10	16	20	25	35	50	μF	Code	3	4	6	10	16	20	25	35	50	
0.10	104							A	A	0.10	104										
0.15	154							A	B	0.15	154										A
0.22	224							A	B	0.22	224										
0.33	334						A	A	B	0.33	334										
0.47	474						A	A/B	C	0.47	474										B
0.68	684					A	A	B	C	0.68	684									A	B
1.0	105				A	S/A	B	B	C	1.0	105						R	A	A	V	
1.5	155			A	A	S/A	B	B/C	D	1.5	155								A		C
2.2	225		A	A	S/A	A/B	B/C	C	D	2.2	225					R				B	C
3.3	335	A	A	S/A	A/B	B/T	C	C	D	3.3	335					R		A	B	B	
4.7	475	A	S/A	A/B	A/B/T	B/C	C	C/D	D	4.7	475					R/S		A	B		
6.8	685	S/A	A/B	A/B/T	B/C	C/U	C	D	X	6.8	685			R/S	S	A	B			C	D
10.0	106	A/B	A/B/T	B/C	B/C/U	C/U	D	D		10.0	106		R/S	R/S	S/T/A	T/A	B	C	C/V	X	
15.0	156	A/B/T	B/C	B/C/U	C/U	D	D	X		15.0	156		S	S/T/A	T/A	B	C	C	D	X	
22.0	226	B/C	B/C/U	C/U	C/D	D/V	D	X		22.0	226		S/T/A	T/A	T/A/B	U/B	C	V	D		
33.0	336	B/C/U	C/U	C/D/V	D	D	X			33.0	336	A	T/A	T/A/B	U/B	U/C	C/V	D	X		
47.0	476	C/U	C/D	D/V	D/V					47.0	476		T/A/B	U/B/A	B/U/C	C	D	D/X			
68.0	686	C/D	D	D/V		X				68.0	686		U/C/A	U/C/B	B/U/C	V/D		X			
100.0	107	D	D/V	D	X					100.0	107		^B T/U/C/A	B/U/C	V/C	V/D	X				
150.0	157	D/V	D	X						150.0	157		B/C	V/C	V/C/D	D/X					
220.0	227		X							220.0	227		V	C/V/D	D/V/X						
330.0	337									330.0	337		V/C/D	D/X	D/X						
470.0	477									470.0	477		D/X	D/X	E						
680.0	687									680.0	687		D/X	E							
1000.0	108									1000.0	108		X/E								

Note that standard values are preferred. Extended values are available for use where size constraints exist. Note that standard values demonstrate inherently lower failure rates than extended values, especially in low impedance applications.

SOLID TANTALUM CHIP CAPACITORS

T491 SERIES - Precision Molded Chip



T491 RATINGS & PART NUMBER REFERENCE

Capacitance µF	Case Size	KEMET Part Number	DC Leakage mA @ 25°C Max	DF % @ +25°C 120 Hz Max	ESR W @ +25°C 100 kHz Max
3 Volt Rating at +85°C (2 Volt Rating at +125°C)					
#33.0	*A	T491A336(1)003AS	1.0	6.0	4.0
4 Volt Rating at +85°C (2.7 Volt Rating at +125°C)					
3.3	A	T491A335(1)004AS	0.5	6.0	8.0
4.7	A	T491A475(1)004AS	0.5	6.0	8.0
6.8	A	T491A685(1)004AS	0.5	6.0	6.0
6.8	S	T491S685(1)004AS	0.5	6.0	15.0
10.0	B	T491B106(1)004AS	0.5	6.0	3.5
10.0	A	T491A106(1)004AS	0.5	6.0	6.0
#10.0	*S	T491S106(1)004AS	0.5	6.0	15.0
#10.0	*R	T491R106M004AS	0.5	8.0	10.0
15.0	B	T491B156(1)004AS	0.6	6.0	3.5
15.0	A	T491A156(1)004AS	0.6	6.0	4.0
15.0	T	T491T156(1)004AS	0.6	6.0	5.0
#15.0	*S	T491S156M004AS	0.6	10.0	15.0
22.0	C	T491C226(1)004AS	0.9	6.0	1.8
22.0	B	T491B226(1)004AS	0.9	6.0	3.5
#22.0	*A	T491A226(1)004AS	0.9	6.0	4.0
#22.0	*T	T491T226(1)004AS	0.9	6.0	5.0
22.0	*S	T491S226M004AS	0.9	10.0	10.0
33.0	C	T491C336(1)004AS	1.3	6.0	1.8
33.0	U	T491U336(1)004AS	1.3	6.0	1.8
33.0	B	T491B336(1)004AS	1.3	6.0	3.5
#33.0	*A	T491A336(1)004AS	1.3	6.0	4.0
#33.0	*T	T491T336M004AS	1.3	8.0	5.0
47.0	C	T491C476(1)004AS	1.9	6.0	1.8
47.0	U	T491U476(1)004AS	1.9	6.0	1.8
#47.0	*B	T491B476(1)004AS	1.9	6.0	3.0
#47.0	*A	T491A476M004AS	1.9	12.0	2.5
#47.0	*T	T491T476M004AS	1.9	12.0	6.0
68.0	D	T491D686(1)004AS	2.7	6.0	0.8
68.0	C	T491C686(1)004AS	2.7	6.0	1.6
#68.0	*U	T491U686(1)004AS	2.7	6.0	1.8
#68.0	*B	T491B686(1)004AS	2.7	6.0	3.5
#68.0	*A	T491A686(1)004AS	2.8	30.0	4.0
100.0	D	T491D107(1)004AS	4.0	8.0	0.8
#100.0	*C	T491C107(1)004AS	4.0	8.0	1.2
#100.0	*U	T491U107(1)004AS	4.0	10.0	1.8
#100.0	*B	T491B107M004AS	4.0	8.0	1.0
#100.0	*A	T491A107M004AS	4.0	30.0	4.0
#100.0	*T	T491T107M004AT	4.0	30.0	5.0
150.0	D	T491D157(1)004AS	6.0	8.0	0.8
150.0	V	T491V157(1)004AS	6.0	8.0	0.7
#150.0	*C	T491C157(1)004AS	6.0	8.0	1.2
#150.0	*B	T491B157M004AS	6.0	12.0	2.0
#220.0	*V	T491V227(1)004AS	8.8	8.0	0.7
330.0	*D	T491D337(1)004AS	13.2	8.0	0.7
#330.0	*V	T491V337M004AS	13.2	12.0	0.7
#330.0	*C	T491C337(1)004AS	13.2	10.0	1.2
#470.0	*X	T491X477(1)004AS	18.8	8.0	0.5
#470.0	*D	T491D477(1)004AS	18.8	8.0	0.8
#680.0	*X	T491X687M004AS	27.2	12.0	0.5
#680.0	*D	T491D687M004AS	27.2	12.0	0.5
#1000.0	*X	T491X108(1)004AS	40.0	12.0	0.5
#1000.0	*E	T491E108M004AS	40.0	15.0	0.2
**6 Volt Rating at +85°C (4 Volt Rating at +125°C)					
2.2	A	T491A225(1)006AS	0.5	6.0	8.0
3.3	A	T491A335(1)006AS	0.5	6.0	8.0
4.7	A	T491A475(1)006AS	0.5	6.0	8.0
4.7	S	T491S475(1)006AS	0.5	6.0	15.0
6.8	B	T491B685(1)006AS	0.5	6.0	3.5
6.8	A	T491A685(1)006AS	0.5	6.0	6.0
#6.8	*S	T491S685(1)006AS	0.5	6.0	15.0
#6.8	*R	T491R685(1)006AS	0.5	8.0	10.0
10.0	B	T491B106(1)006AS	0.6	6.0	3.5
10.0	A	T491A106(1)006AS	0.6	6.0	4.0
10.0	T	T491T106(1)006AS	0.6	6.0	5.0
#10.0	*S	T491S106M006AS	0.6	10.0	15.0
#10.0	*R	T491R106M006AS	0.6	8.0	10.0
15.0	C	T491C156(1)006AS	0.9	6.0	1.8
15.0	B	T491B156(1)006AS	0.9	6.0	3.5
#15.0	*A	T491A156(1)006AS	0.9	6.0	4.0
#15.0	*T	T491T156(1)006AS	0.9	6.0	5.0
#15.0	*S	T491S156M006AS	0.9	15.0	10.0
22.0	C	T491C226(1)006AS	1.4	6.0	1.8
22.0	B	T491B226(1)006AS	1.4	6.0	1.8
#22.0	*A	T491A226(1)006AS	1.4	6.0	3.5
#22.0	*T	T491T226M006AS	1.4	8.0	5.0
33.0	C	T491C336(1)006AS	2.0	6.0	1.8
33.0	U	T491U336(1)006AS	2.0	6.0	1.8
#33.0	*B	T491B336(1)006AS	2.0	6.0	3.0
#33.0	*A	T491A336M006AS	2.0	12.0	2.5
#33.0	*T	T491T336M006AS	2.0	12.0	6.0
47.0	D	T491D476(1)006AS	2.9	6.0	0.8
47.0	C	T491C476(1)006AS	2.9	6.0	1.6
#47.0	*U	T491U476(1)006AS	2.9	6.0	1.8
#47.0	*B	T491B476(1)006AS	2.9	6.0	3.5
147.0	*A	T491A476M006AS	3.0	12.0	3.5
68.0	D	T491D686(1)006AS	4.1	6.0	0.8
#68.0	*C	T491C686(1)006AS	4.1	6.0	1.2
#68.0	*U	T491U686(1)006AS	4.1	10.0	1.8
#68.0	*B	T491B686(1)006AS	4.1	8.0	3.0
100.0	D	T491D107(1)006AS	6.0	8.0	0.8
100.0	V	T491V107(1)006AS	6.0	8.0	0.7
#100.0	*C	T491C107(1)006AS	6.0	8.0	1.2
#100.0	*U	T491U107M006AS	6.0	10.0	1.8
#100.0	*B	T491B107M006AS	6.3	15.0	10.0
150.0	D	T491D157(1)006AS	9.0	8.0	0.7
#150.0	*C	T491C157M006AS	9.0	8.0	1.2
#150.0	*V	T491V157(1)006AS	9.0	8.0	0.7
220.0	X	T491X227(1)006AS	13.2	8.0	0.7
#220.0	*D	T491D227(1)006AS	13.2	8.0	0.7
#220.0	*C	T491C227M006AS	13.2	10.0	1.2
#220.0	*V	T491V227M006AS	13.2	12.0	0.7
330.0	*X	T491X337(1)006AS	19.8	8.0	0.5
330.0	*D	T491D337(1)006AS	19.8	8.0	0.5
470.0	*X	T491X477(1)006AS	28.2	10.0	0.5
470.0	*D	T491D477M006AS	28.2	12.0	0.5
680.0	*E	T491E687M006AS	40.8	12.0	0.5

Capacitance µF	Case Size	KEMET Part Number	DC Leakage mA @ 25°C Max	DF % @ +25°C 120 Hz Max	ESR W @ +25°C 100 kHz Max
10 Volt Rating at +85°C (7 Volt Rating at +125°C)					
1.5	A	T491A155(1)010AS	0.5	6.0	8.0
2.2	A	T491A225(1)010AS	0.5	6.0	8.0
3.3	A	T491A335(1)010AS	0.5	6.0	6.0
3.3	S	T491S335(1)010AS	0.5	6.0	15.0
#3.3	*R	T491R335(1)010AS	0.3	8.0	10.0
4.7	B	T491B475(1)010AS	0.5	15.0	3.5
4.7	A	T491A475(1)010AS	0.5	6.0	6.0
#4.7	*S	T491S475(1)010AS	0.5	6.0	15.0
#4.7	*R	T491R475M010AS	0.5	8.0	10.0
6.8	B	T491B685(1)010AS	0.7	6.0	3.5
6.8	A	T491A685(1)010AS	0.7	6.0	6.0
6.8	T	T491T685(1)010AS	0.7	6.0	5.0
#6.8	*S	T491S685M010AS	0.7	10.0	15.0
10.0	C	T491C106(1)010AS	1.0	6.0	1.8
10.0	B	T491B106(1)010AS	1.0	6.0	3.5
#10.0	*A	T491A106(1)010AS	1.0	6.0	4.0
#10.0	*T	T491T106(1)010AS	1.0	6.0	5.0
#10.0	*S	T491S106M010AS	1.0	10.0	15.0
15.0	C	T491C156(1)010AS	1.5	6.0	1.8
15.0	U	T491U156(1)010AS	1.5	6.0	1.8
15.0	B	T491B156(1)010AS	1.5	6.0	3.5
#15.0	*A	T491A156(1)010AS	1.5	8.0	6.0
#15.0	*T	T491T156M010AS	1.5	8.0	5.0
22.0	C	T491C226(1)010AS	2.2	6.0	1.8
22.0	U	T491U226(1)010AS	2.2	6.0	1.8
#22.0	*B	T491B226(1)010AS	2.2	6.0	3.0
#22.0	*A	T491A226M010AS	2.2	10.0	6.0
#22.0	*T	T491T226M010AS	2.2	12.0	8.0
33.0	D	T491D336(1)010AS	3.3	6.0	0.8
33.0	V	T491V336(1)010AS	3.3	6.0	0.7
33.0	C	T491C336(1)010AS	3.3	6.0	1.6
#33.0	*U	T491U336(1)010AS	3.3	6.0	1.8
#33.0	*B	T491B336(1)010AS	3.3	6.0	3.5
47.0	D	T491D476(1)010AS	4.7	6.0	0.8
47.0	V	T491V476(1)010AS	4.7	6.0	0.7
#47.0	*C	T491C476(1)010AS	4.7	6.0	1.2
#47.0	*U	T491U476(1)010AS	4.7	10.0	2.2
#47.0	*B	T491B476M010AS	4.7	8.0	1.0
68.0	D	T491D686(1)010AS	6.8	6.0	0.8
68.0	V	T491V686(1)010AS	6.8	6.0	0.7
#68.0	*C	T491C686(1)010AS	6.8	6.0	1.2
#68.0	*U	T491U686(1)010AS	6.8	10.0	1.8
#68.0	*B	T491B686M010AS	6.8	10.0	3.0
100.0	D	T491D107(1)010AS	10.0	8.0	0.7
#100.0	*C	T491C107(1)010AS	10.0	8.0	1.2
#100.0	*V	T491V107(1)010AS	10.0	8.0	0.7
150.0	X	T491X157(1)010AS	15.0	8.0	0.7
#150.0	*D	T491D157(1)010AS	15.0	8.0	0.7
#150.0	*C	T491C157(1)010AS	15.0	10.0	1.2
#150.0	*V	T491V157M010AS	15.0	8.0	0.7
#220.0	*X	T491X227(1)010AS	22.0	8.0	0.5
#220.0	*D	T491D227(1)010AS	22.0	8.0	0.5
#220.0	*V	T491V227(1)010AS	22.0	12.0	0.7
#330.0	*D	T491D337M010AS	33.0	10.0	0.5
#330.0	*X	T491X337(1)010AS	33.0	10.0	0.5
#470.0	*E	T491E477M010AS	47.0	12.0	0.5
16 Volt Rating at +85°C (10 Volt Rating at +125°C)					
1.0	A	T491A105(1)016AS	0.5	4.0	10.0
1.5	A	T491A155(1)016AS	0.5	6.0	8.0
2.2	A	T491A225(1)016AS	0.5	6.0	6.0

T491 RATINGS & PART NUMBER REFERENCE

Capacitance µF	Case Size	KEMET Part Number	DC Leakage mA @ 25°C Max	DF % @ +25°C 120 Hz Max	ESR W @ +25°C 100 kHz Max
20 Volt Rating at +85°C (13 Volt Rating at +125°C)					
1.0	A	T491A684(1)020AS	0.5	4.0	12.0
1.0	A	T491A105(1)020AS	0.5	4.0	10.0
1.0	S	T491S105(1)020AS	0.5	6.0	18.0
#1.0	R	T491R105M020AS	0.5	6.0	20.0
1.5	A	T491A155(1)020AS	0.5	6.0	8.0
1.5	S	T491S155(1)020AS	0.5	6.0	15.0
2.2	B	T491B225(1)020AS	0.5	6.0	3.5
2.2	A	T491A225(1)020AS	0.5	6.0	7.0
3.3	B	T491B335(1)020AS	0.7	6.0	3.5
#3.3	*A	T491A335(1)020AS	0.7	6.0	7.0
3.3	*T	T491T335(1)020AS	0.7	6.0	5.0
4.7	C	T491C475(1)020AS	1.0	6.0	2.4
4.7	B	T491B475(1)020AS	1.0	6.0	3.5
#4.7	*A	T491A475M020AS	1.0	8.0	6.0
6.8	C	T491C685(1)020AS	1.4	6.0	1.9
6.8	U	T491U685(1)020AS	1.4	6.0	1.9
#6.8	*B	T491B685(1)020AS	1.4	6.0	3.5
10.0	C	T491C106(1)020AS	2.0	6.0	1.8
10.0	U	T491U106(1)020AS	2.0	6.0	1.8
#10.0	*B	T491B106(1)020AS	2.0	6.0	3.0
15.0	D	T491D156(1)020AS	3.0	6.0	1.0
15.0	*C	T491C156(1)020AS	3.0	6.0	1.7
22.0	D	T491D226(1)020AS	4.4	6.0	0.8
22.0	V	T491V226(1)020AS	4.4	6.0	0.7
#22.0	*C	T491C226(1)020AS	4.4	6.0	1.2
33.0	D	T491D336(1)020AS	6.6	6.0	0.8
#33.0	*C	T491C336M020AS	6.6	6.0	1.2
†33.0	*V	T491V336M020AS	6.6	8.0	0.7
47.0	*D	T491D476(1)020AS	9.4	6.0	0.7
68.0	X	T491X686(1)020AS	13.6	6.0	0.7
#68.0	*D	T491D686(1)020AS	13.6	8.0	0.7
#100.0	*X	T491X107(1)020AS	20.0	8.0	0.5
25 Volt Rating at +85°C (17 Volt Rating at +125°C)					
0.33	A	T491A334(1)025AS	0.5	4.0	15.0
0.47	A	T491A474(1)025AS	0.5	4.0	14.0
0.68	A	T491A684(1)025AS	0.5	4.0	10.0
1.0	B	T491B105(1)025AS	0.5	4.0	5.0
1.0	*A	T491A105(1)025AS	0.5	4.0	8.0
1.5	B	T491B155(1)025AS	0.5	6.0	5.0
1.5	*A	T491A155(1)025AS	0.5	6.0	10.0
2.2	C	T491C225(1)025AS	0.6	6.0	3.5
2.2	B	T491B225(1)025AS	0.6	6.0	4.5
3.3	C	T491C335(1)025AS	0.9	6.0	2.5
3.3	*B	T491B335(1)025AS	0.9	6.0	3.5
4.7	C	T491C475(1)025AS	1.2	6.0	2.4
#4.7	*B	T491B475M025AS	1.2	6.0	1.5
6.8	C	T491C685(1)025AS	1.7	6.0	1.9
10.0	D	T491D106(1)025AS	2.5	6.0	1.0
10.0	*C	T491C106(1)025AS	2.5	6.0	1.5
15.0	D	T491D156(1)025AS	3.8	6.0	1.0
#15.0	*C	T491C156(1)025AS	3.8	6.0	1.5
22.0	D	T491D226(1)025AS	5.5	6.0	0.8
22.0	*V	T491V226(1)025AS	5.5	6.0	0.7
33.0	X	T491X336(1)025AS	8.3	6.0	0.7
#33.0	*D	T491D336(1)025AS	8.3	6.0	0.7
#47.0	*X	T491X476(1)025AS	11.8	6.0	0.7
†47.0	*D	T491D476M025AS	11.8	10.0	0.7
†68.0	*X	T491X686M025AS	17.0	8.0	0.7

Capacitance µF	Case Size	KEMET Part Number	DC Leakage mA @ 25°C Max	DF % @ +25°C 120 Hz Max	ESR W @ +25°C 100 kHz Max
35 Volt Rating at +85°C (23 Volt Rating at +125°C)					
0.10	A	T491A104(1)035AS	0.5	4.0	20.0
0.15	A	T491A154(1)035AS	0.5	4.0	19.0
0.22	A	T491A224(1)035AS	0.5	4.0	18.0
0.33	A	T491A334(1)035AS	0.5	4.0	15.0
0.47	B	T491B474(1)035AS	0.5	4.0	8.0
0.47	A	T491A474(1)035AS	0.5	4.0	14.0
0.68	B	T491B684(1)035AS	0.5	4.0	6.5
0.68	*A	T491A684(1)035AS	0.5	4.0	10.0
1.0	B	T491B105(1)035AS	0.5	4.0	5.0
1.0	*A	T491A105(1)035AS	0.5	4.0	10.0
1.5	C	T491C155(1)035AS	0.5	6.0	4.5
1.5	B	T491B155(1)035AS	0.5	6.0	5.0
2.2	C	T491C225(1)035AS	0.8	6.0	3.5
2.2	*B	T491B225(1)035AS	0.8	6.0	4.0
3.3	C	T491C335(1)035AS	1.2	6.0	2.5
#3.3	*B	T491B335M035AS	1.2	6.0	3.5
4.7	D	T491D475(1)035AS	1.7	6.0	1.5
4.7	C	T491C475(1)035AS	1.7	6.0	2.5
6.8	D	T491D685(1)035AS	2.4	6.0	1.3
6.8	*C	T491C685(1)035AS	2.4	6.0	2.0
10.0	D	T491D106(1)035AS	3.5	6.0	1.0
#10.0	*C	T491C106M035AS	3.5	6.0	2.0
#10.0	*V	T491V106(1)035AS	3.5	6.0	2.0
15.0	X	T491X156(1)035AS	5.3	6.0	0.9
15.0	*D	T491D156(1)035AS	5.3	6.0	0.8
22.0	X	T491X226(1)035AS	7.7	6.0	0.7
#22.0	*D	T491D226(1)035AS	7.7	6.0	0.7
#33.0	*X	T491X336(1)035AS	11.6	6.0	0.6
#47.0	*X	T491X476(1)035AS	16.5	8.0	0.6
50 Volt Rating at +85°C (33 Volt Rating at +125°C)					
0.10	A	T491A104(1)050AS	0.5	4.0	20.0
0.15	B	T491B154(1)050AS	0.5	4.0	16.0
0.15	*A	T491A154(1)050AS	0.5	4.0	19.0
0.22	B	T491B224(1)050AS	0.5	4.0	14.0
0.33	B	T491B334(1)050AS	0.5	4.0	10.0
0.47	C	T491C474(1)050AS	0.5	4.0	8.0
0.47	*B	T491B474(1)050AS	0.5	4.0	9.0
0.68	C	T491C684(1)050AS	0.5	4.0	7.0
0.68	*B	T491B684(1)050AS	0.5	4.0	8.0
1.0	C	T491C105(1)050AS	0.5	4.0	5.5
1.0	*V	T491V105M050AS	0.5	4.0	6.0
1.5	D	T491D155(1)050AS	0.8	6.0	3.5
1.5	*C	T491C155(1)050AS	0.8	6.0	4.5
2.2	D	T491D225(1)050AS	1.1	6.0	2.5
2.2	*C	T491C225(1)050AS	1.1	6.0	3.5
3.3	D	T491D335(1)050AS	1.7	6.0	2.0
4.7	D	T491D475(1)050AS	2.4	6.0	1.5
6.8	X	T491X685(1)050AS	3.5	6.0	1.0
#6.8	*D	T491D685M050AS	3.4	6.0	1.0
#10.0	*X	T491X106M050AS	5.0	6.0	0.7
#15.0	*X	T491X156(1)050AS	7.5	8.0	0.7

*Extended Values

**6 Volt product equivalent to 6.3 volt product.

(1) To complete KEMET Part Number, insert M for ±20% tolerance or K for ±10% tolerance.

Higher voltage ratings, lower ESR, and tighter capacitance tolerance product may be substituted within the same size at KEMET's option. Voltage substitutions will be marked with the higher voltage rating.

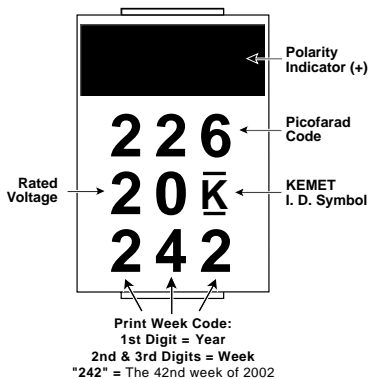
#Maximum Capacitance Change @ 125°C=+15%.

†Maximum Capacitance Change @ 125°C=+20%.

New values are in red.

CAPACITOR MARKINGS

T491 Series — All Case Sizes



CONSTRUCTION

