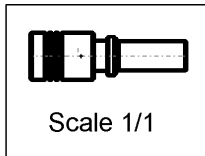
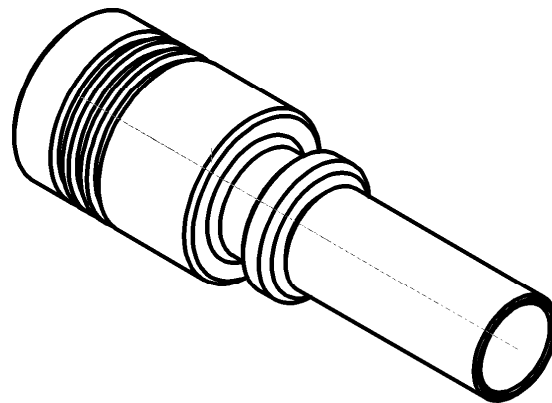
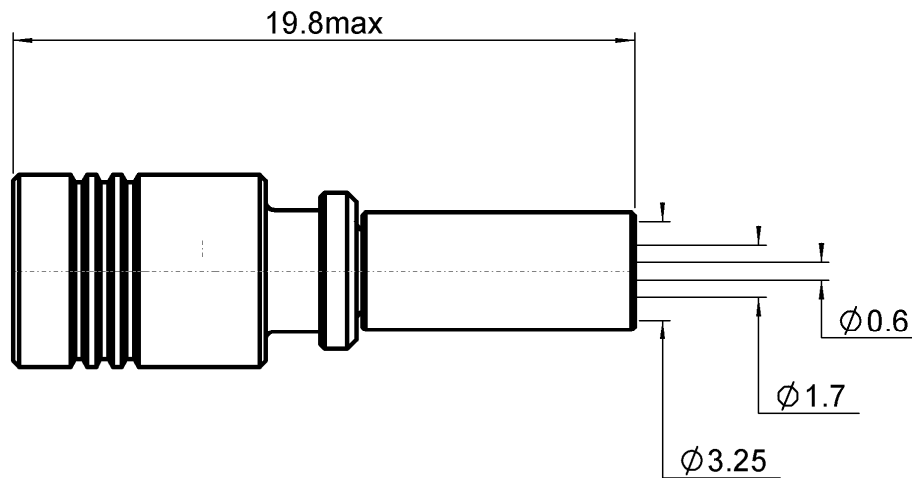


STRAIGHT PLUG CRIMP TYPE

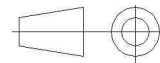
R114.082.000

CABLE 2.6/50+75 S

Series : SMB



All dimensions are in mm.



COMPONENTS	MATERIALS	PLATING (μm)
BODY	BRASS	GOLD 0.2 OVER NICKEL 2
CENTER CONTACT	BERYLLIUM COPPER	GOLD 1.3 OVER NICKEL 2
OUTER CONTACT	BERYLLIUM COPPER	GOLD 0.5 OVER NICKEL 2
INSULATOR	PTFE	
GASKET	-	
OTHERS PARTS	BRASS	GOLD 0.2 OVER NICKEL 2
-	-	-
-	-	-

Issue : 1008 A

In the effort to improve our products, we reserve the right to make changes judged to be necessary.



STRAIGHT PLUG CRIMP TYPE

R114.082.000

CABLE 2.6/50+75 S

Series : **SMB**

PACKAGING

Standard	Unit	Other
100	'W' option	Contact us

SPECIFICATION

CABLE ASSEMBLY

ELECTRICAL CHARACTERISTICS

Stripping	a	b	c	d	e	f
mm	2,50	6,00	11,0	0,00	8,50	0,00

Impedance	50	Ω
Frequency	0-4	GHz
VSWR	1.25 + 0,0400	x F(GHz) Maxi
Insertion loss	0.25	\sqrt{F} (GHz) dB Maxi
RF leakage	- (57)	- F(GHz)) dB Maxi
Voltage rating	335	Veff Maxi
Dielectric withstanding voltage	1000	Veff mini
Insulation resistance	1000	M Ω mini

Assembly instruction : **Crimp 02**

Recommended cable(s)

RG 316
KX 22A
RG 188
RG 179
RG 187
ECO 316
RG 174
KX 3B
RG 174 FTX

Characteristics indicated on this data sheet are those that can be achieved with the highest performance cable. Intrinsic limitations of the cable may diminish the performance of the assembly

Cable retention

- pull off **110** N mini
- torque **3.9** N.cm

MECHANICAL CHARACTERISTICS

Center contact retention		
Axial force – Mating end	10	N mini
Axial force – Opposite end	10	N mini
Torque	NA	N.cm mini

TOOLING

Recommended torque		
Mating	NA	N.cm
Panel nut	NA	N.cm
Clamp nut	NA	N.cm
A/F clamp nut	0,0000	mm
Mating life	500	Cycles mini
Weight	2,0950	g

Part Number	Description	Hexagon
.	.	.
R282.281.000	CRIMPING TOOL	2x4(pos.3->50 pos.1->75)
R282.983.000	POSITONER FOR CRIMPING TOOL	-
. And - (et)		
R282.211.000	CRIMPING TOOL	3.25
. Or - (ou)		
R282.293.000	CRIMPING TOOL M22520/5-01	-
R282.235.003	CRIMPING DIES M22520/5-03	3.25

ENVIRONMENTAL

Operating temperature	-65/+165	$^{\circ}$ C
Hermetic seal	NA	Atm.cm3/s
Panel leakage	NA	

OTHER CHARACTERISTICS

Issue : **1008 A**

In the effort to improve our products, we reserve the right to make changes judged to be necessary.



Mouser Electronics

Authorized Distributor

Click to View Pricing, Inventory, Delivery & Lifecycle Information:

[Radial:](#)

[R114082000](#)