

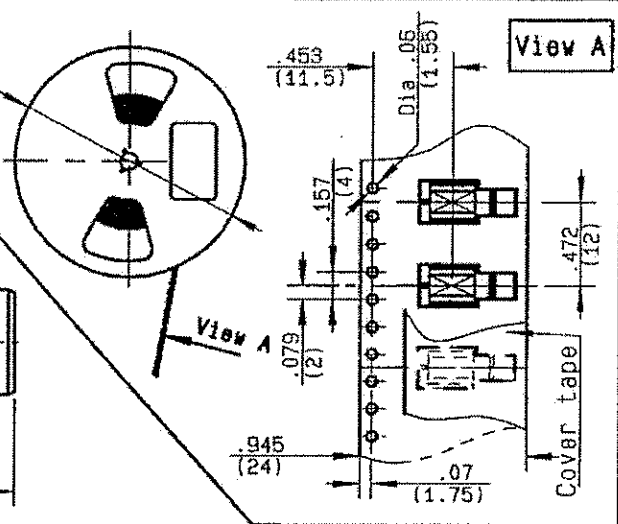
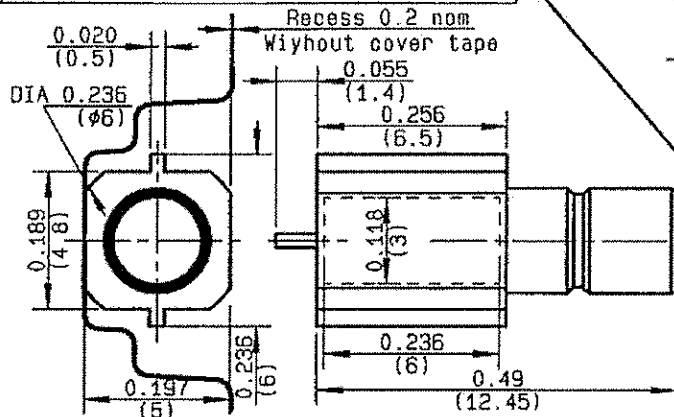
**STRAIGHT MALE RECEPTACLE FOR PCB  
SMT TYPE - EDGE CARD**

**R114.423.800**

**SERIES**

**SMB**

Resistance c.contact (c.central) = 8 MΩMaxi  
Resistance outer contact (c.masse) = 1.5 MΩMaxi  
Engage force (insertion) = 60 N Maxi  
Desengage force (extraction) = 20 N Maxi



NOMINAL IMPEDANCE	50	Ω
FREQUENCY RANGE	0-4	GHz
TEMPERATURE RATING	-65/+165	°C
V.S.W.R	1.05* + .008 x F(GHz)Maxi	
RF INSERTION LOSS	0.03* √F(GHz)	dB Maxi
VOLTAGE RATING	500	Veff Maxi
DIELECTRIC WITHSTANDING VOLTAGE	1000	Veff Mini
INSULATION RESISTANCE	1000	MΩMini
HERMETIC SEAL	NA	Atm.cm <sup>3</sup> /s
LEAKAGE (pressurized only)	NA	
MECHANICAL DURABILITY	500	Cycles
WEIGHT		gr
SPECIFICATION		

CABLES :

OTHERS CHARACTERISTICS

\* COAXIAL TRANSMISSION LINE ONLY

CABLE RETENTION	NA	N Mini
CENTER CONTACT RETENTION		
Axial force - mating end	10	N Mini
Axial force - opposite end	10	N Mini
Torque	NA	cm.N Mini
RECOMMENDED TORQUES		
Mating	NA	cm.N
Panel nut	NA	cm.N
Clamp nut	NA	cm.N

CONNECTOR PARTS

MATERIALS

FINISH

(all values are given in micrometers)

BODY	BRASS	GOLD 0.2 OVER NICKEL 2
OUTER CONTACT		
CENTER CONTACT	BRASS	GOLD 0.5 OVER NICKEL 2
INSULATOR	PTFE	-
GASKET		-
OTHERS PIECES		

ISSUE  
**0735 C**

CREATION DATE  
**07/07/1997**

FILE PART-NUMBER  
**97-0104-309**



PERRI..

The information given here is subject to change without notice.  
Design changes may be in order to improve the product.

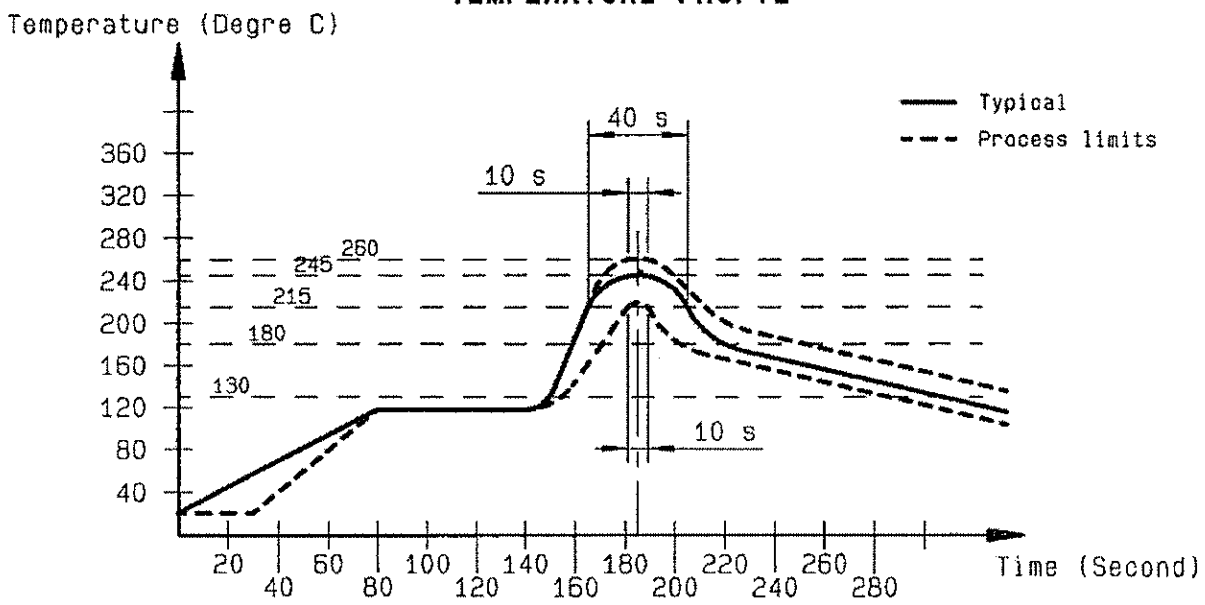
*Connect to the future*

97-0104-309

**SMB SERIES - INFORMATIONS**  
**SOLDER PROCEDURE OF RECEPTACLES IN INDUSTRIAL ENVIRONMENT**

- 1 - Deposit solder paste "Sn62RP11AGS 90" on mounting zone by screen printing application. We advise a thickness of 150 micromm (5.850 microinch). Verify that the edges of the zone are clean.
- 2 - Deposit the receptacle on the mounting zone .  
  
Video camera is preferred to check the positioning of the component. (See page 3)  
  
Adhesive agents are forbidden on the receptacle.
- 3 - Soldering by infra-red reflow.  
We give under, the typical profile to use.
- 4 - Cleaning of printed circuit boards by CFC solvents (or a substitute product according to the United Nation's environmental programm).  
  
We advise the vapor-phase method, with or without any ultrasonic waves.  
This cleaning is imperative for using the receptacle.
- 5 - Checking of solder joints and position of the component by visual inspection.

**TEMPERATURE PROFIL**



INDEX	REVISION No	DESCRIPTION	VERBA	DATE

Initiated on 08-07-97

The information given here is subject to change without notice. Design changes may be in order to improve the product.



Approval by MEYNIER

PERRIN



**RADIALL**<sup>®</sup>  
COAXIAL CONNECTORS

TECHNICAL DATA

R114.423.800

Issue : 0735

Page

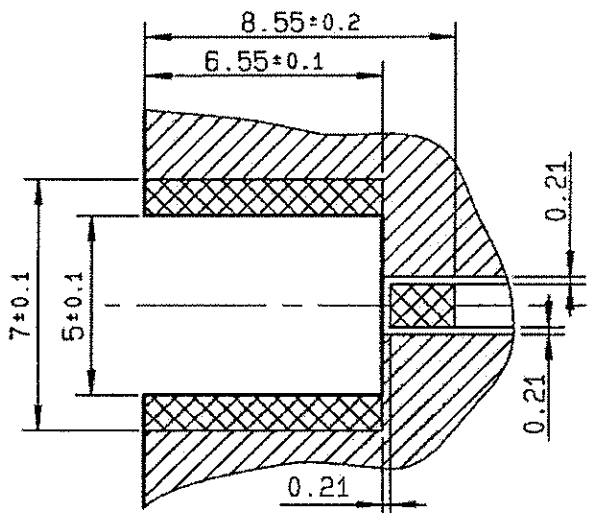
STRAIGHT MALE RECEPTACLE FOR PCB  
SMT TYPE - EDGE CARD

Series : SMB

3 / 3

97-0104-309

SMB SERIES - INFORMATIONS



Pattern

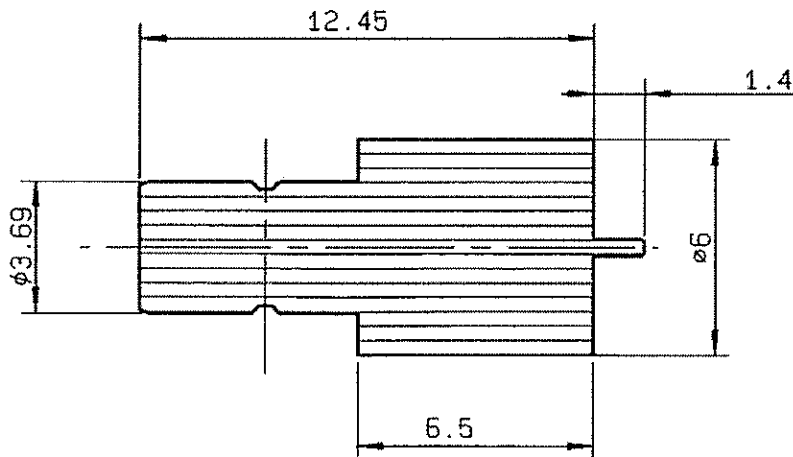


Land for solder paste

COPLANAR LINE

Pattern and signal are on the same side  
Thickness of PCB : .063 (1.6 mm)  
The material of PCB is the epoxy resin  
of glass fabrics base. (Er = 4.8)  
The solder resist should be printed  
except for the land pattern on the PCB.

SHADOW OF SMB RECEPTACLE  
FOR VIDEO CAMERA



ISSUE	REVISION No	DESCRIPTION	BY	DATE

Initiated on 08-07-97

The information given here is subject to change without notice. Design changes may be in order to improve the product.



Approval by MEYNIER

PERRIN