

NOTES:

1. MATERIALS AND FINISHES:
 BODY & COUPLING NUT - BRASS, SILVER PLATING
 CONTACT - BRASS, GOLD PLATING
 OUTER CONTACT - BeCu, SILVER PLATING
 INSULATOR - PTFE
2. ELECTRICAL:
 A. IMPEDANCE: 50 OHM
3. PACKAGING:
 A. QUANTITY: SINGLE PACK
 B. MARKING: BAG TO BE MARKED
 "AMPHENOL RF, 82-4450, AND DATE CODE"
 C. CONTACT & FERRULE SHIPPED LOOSE.

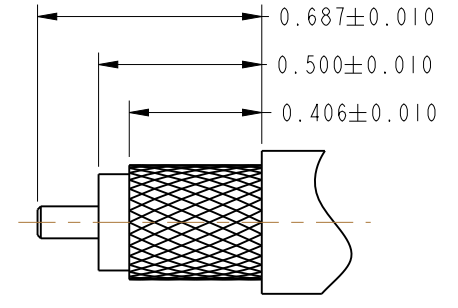
4 SHOWS CABLE ENTRY DIMENSIONS.

5. CRIMP WITH AMPHENOL CRIMP TOOL 227-944(M22520/5-01) AND DIE SET 227-1221-25 CAVITY B (M22520/5-25 CLOSURE B).
6. CRIMP WITH AMPHENOL CRIMP TOOL 227-944(M22520/5-01) AND DIE SET 227-1221-25 CAVITY A (M22520/5-25 CLOSURE A).
7. MATING FACE DIMENSIONS MUST CONFORM TO MIL-STD-348, SECTION 309.1.

THIRD ANGLE PROJ.

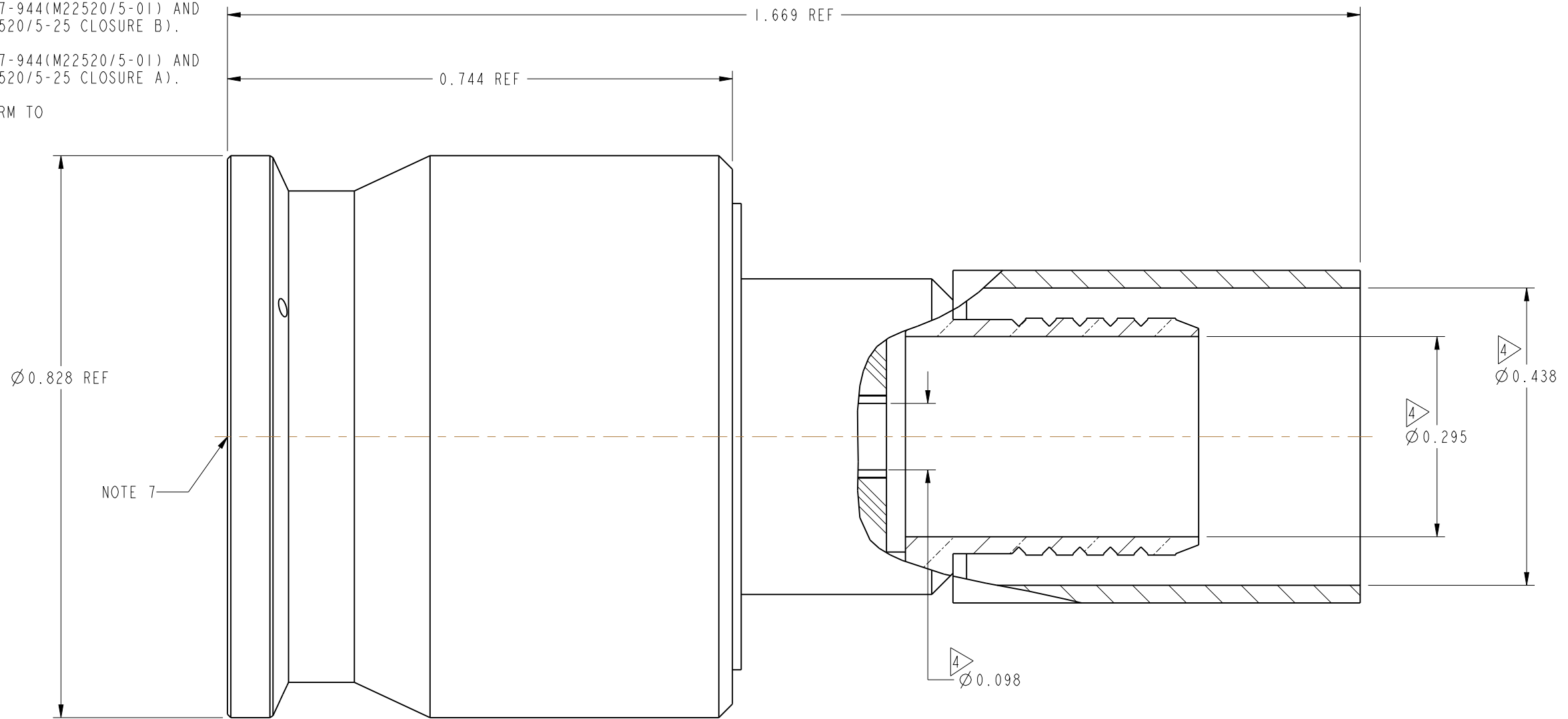
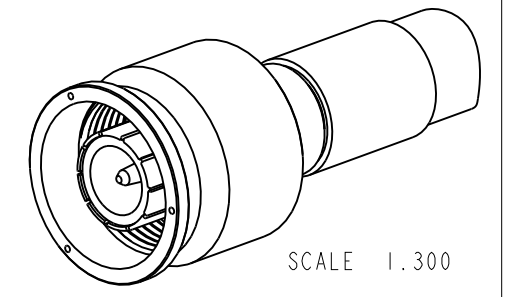
REVISIONS

| REV | DESCRIPTION | DATE | ECO | APPR |
|-----|------------------------------------|---------|-------|------|
| -- | RELEASE TO MFG. | ---- | ---- | ---- |
| T | REDRAWN IN PRO E & COD SHEET ADDED | 10/1/12 | 49251 | RAK |



RECOMMENDED CABLE STRIPPING DIMENSIONS

MIL-C-39012 INSPECTION



THIS CONNECTOR IS COVERED BY U.S. PATENT 3,439,294 & 3,474,391

CUSTOMER OUTLINE DRAWING
 ALL OTHER SHEETS ARE FOR INTERNAL USE ONLY

| | | | | | | | |
|---|------------------------------|----------------|-----------|---|-------|-----------------------------------|--------------------|
| UNLESS OTHERWISE SPECIFIED, DIMENSIONS ARE IN INCHES AND TOLERANCES ARE: 2 PLACE DECIMAL 3 PLACE DECIMAL ANGLES ±.015 (0,381 mm) ±.005 (0,127 mm) ± 1° | MATERIAL | DRAWN | DATE | TITLE TYPE SC PLUG, MIL-CRIMP (CATEGORY D) FOR RG-9, 214, 223 & 393/U CABLES | | Amphenol RF www.amphenolrf.com | |
| | SEE NOTES | ABHAYA KISHORE | 05-Sep-12 | | | | |
| NOTICE - These drawings, specifications, or other data (1) are, and remain the property of Amphenol corp. (2) must be returned upon request; and (3) are confidential and not to be disclosed to any person other than those to whom they are given by Amphenol Corp. the furnishing of these drawings, specifications, or other data by Amphenol Corp., or to any other person to anyone for any purpose is not to be regarded by implication or otherwise in any manner licensing, granting rights to permitting such holder or any other person to manufacture, use or sell any product, process or design, patented or otherwise, that may in any way be related to or disclosed by said drawings, specifications, or other data. | REFERENCE | APPROVED | DATE | SCALE: 5.3:1.0 | SHEET | 2 OF 2 | DRAWING NO.82-4450 |
| | MIL-C-39012/35-0301 | K. CAPOZZI | 9/19/12 | DWG SIZE | REV | | ITEM NO.82-4450 |
| | CONFIGURATION LEVEL: In Work | CAD FILE | B | T | | | PART NO.82-4450 |
| FINISH | | | | | | | |

Mouser Electronics

Authorized Distributor

Click to View Pricing, Inventory, Delivery & Lifecycle Information:

[Amphenol:](#)

[82-4450](#) [082-4450](#)